

PRODUCT NUMBER
73347-Y04XXLF

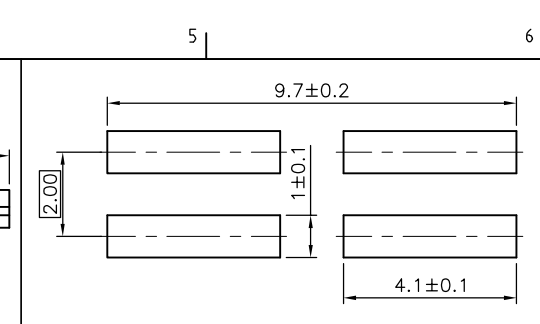
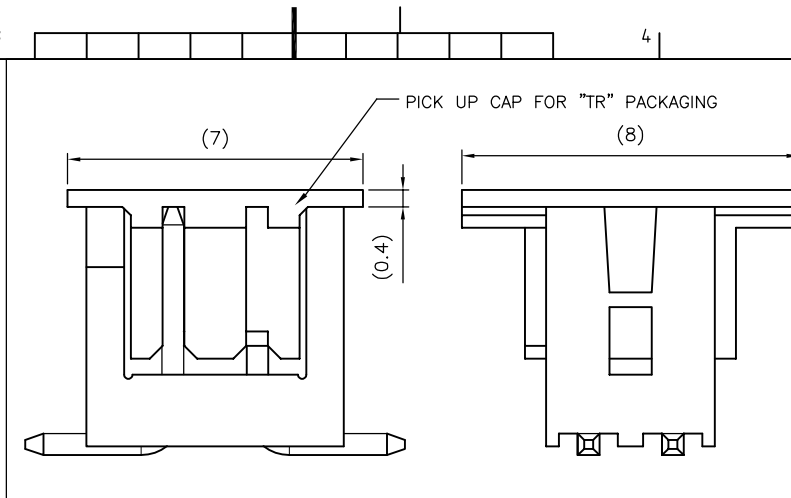
RoHS COMPATIBLE
SEE NOTE 5
PACKAGING OPTION LETTER
SEE NOTE 4
SIZE: 2x2 POSITIONS

PLATING

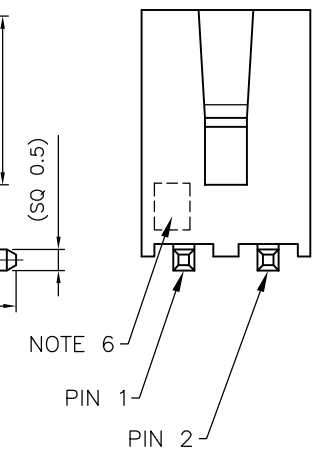
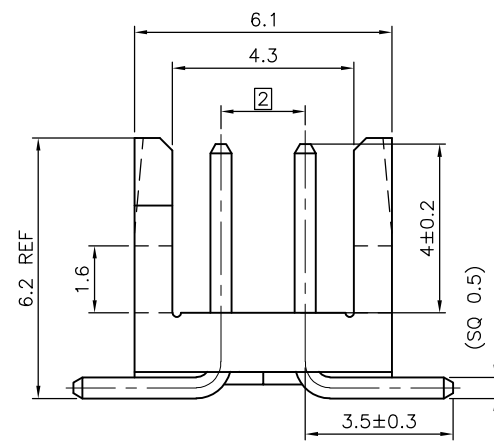
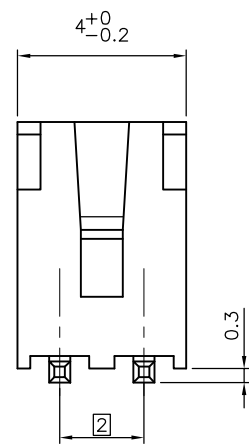
- 1 = 0.76µm GOLD/GXT ON CONTACT AREA
2µm MIN MATT TIN ON TAIL
- 7 = 0.76µm GOLD/GXT FULL PLATED
1.27µm MINIMUM NICKEL UNDERPLATING

NOTES :

1. MATERIAL HOUSING: HIGH TEMP. THERMOPLASTIC
UL 94V-0, COLOR CREAM
2. MATERIAL TERMINAL: COPPER ALLOY
3. 7N MIN. PIN RETENTION IN EITHER DIRECTION.
4. PACKAGING :
= PACKAGING IN POLYBAGS
TR = PACKAGING IN TAPE & REEL, WITH
PICK-UP CAP
AV = PACKAGING IN TAPE & REEL, WITH
PICK-UP CAP FOR CUSTOMER DEDICATED PART
5. RoHS COMPATIBLE PRODUCT SPECIFICATIONS
 - a - PLATING:
- "LF" MEANS THE PRODUCT IS LEAD-FREE,
2µm MINIMUM MATTE TIN OVER 1.27µm
MINIMUM NICKEL UNDERPLATE.
 - b - MANUFACTURING PROCESS COMPATIBILITY
- THE HOUSING WILL WITHSTAND EXPOSURE TO
260°C PEAK TEMPERATURE FOR 30 SECONDES
MAX IN A CONVECTION, INFRA-RED OR VAPOR
PHASE OR REFLOW OVEN.
 - c - LABELLING:
- MEETS PACKAGING SPECS AS PER GS-14-920
 - d - THIS PRODUCT MEETS EUROPEAN DIRECTIVES
AND OTHER COUNTRY REGULATIONS AS DISCRIBED
IN GS-47-0004.
6. PIN POS 1 RECOMMENDED ON THIS SIDE TO MATCH WITH
HOUSING CODING.



RECOMMENDED PAD LAYOUT



| | | | | | |
|--------------------------|----------------|---------------------|------------------------------|---------------------------------------|----------------------------------|
| mat'l. code SEE NOTES | | surface ISO 1302 | tolerance ISO 406 ISO 101 | projection 101 | product family MINITEK HEADER |
| ltr | ecn no | dr | date | tolerances unless otherwise specified | title |
| K | B-19190 | LMU | 14.10.24 | angles linear ±0.2 | MINITEK HEADER 2x2 |
| L | F-36044 | DDE | 20.02.14 | ±2' | |
| M | F-42334 | DDE | 21.09.13 | scale 6:1 | dwg no |
| N | F-42402 | DDE | 21.09.20 | dr J.COMPAGNON 97.11.25 | sheet 1 of 1 |
| P | F-42588 | LMU | 21.10.13 | engr chr | 73347 |
| J | F12-0019 | JCO | 12.02.27 | appd JMC 98.03.20 | size A3 |
| sheet index | revision sheet | | | | type CUSTOMER Drawing |



FCIconnect.com

Copyright FCI