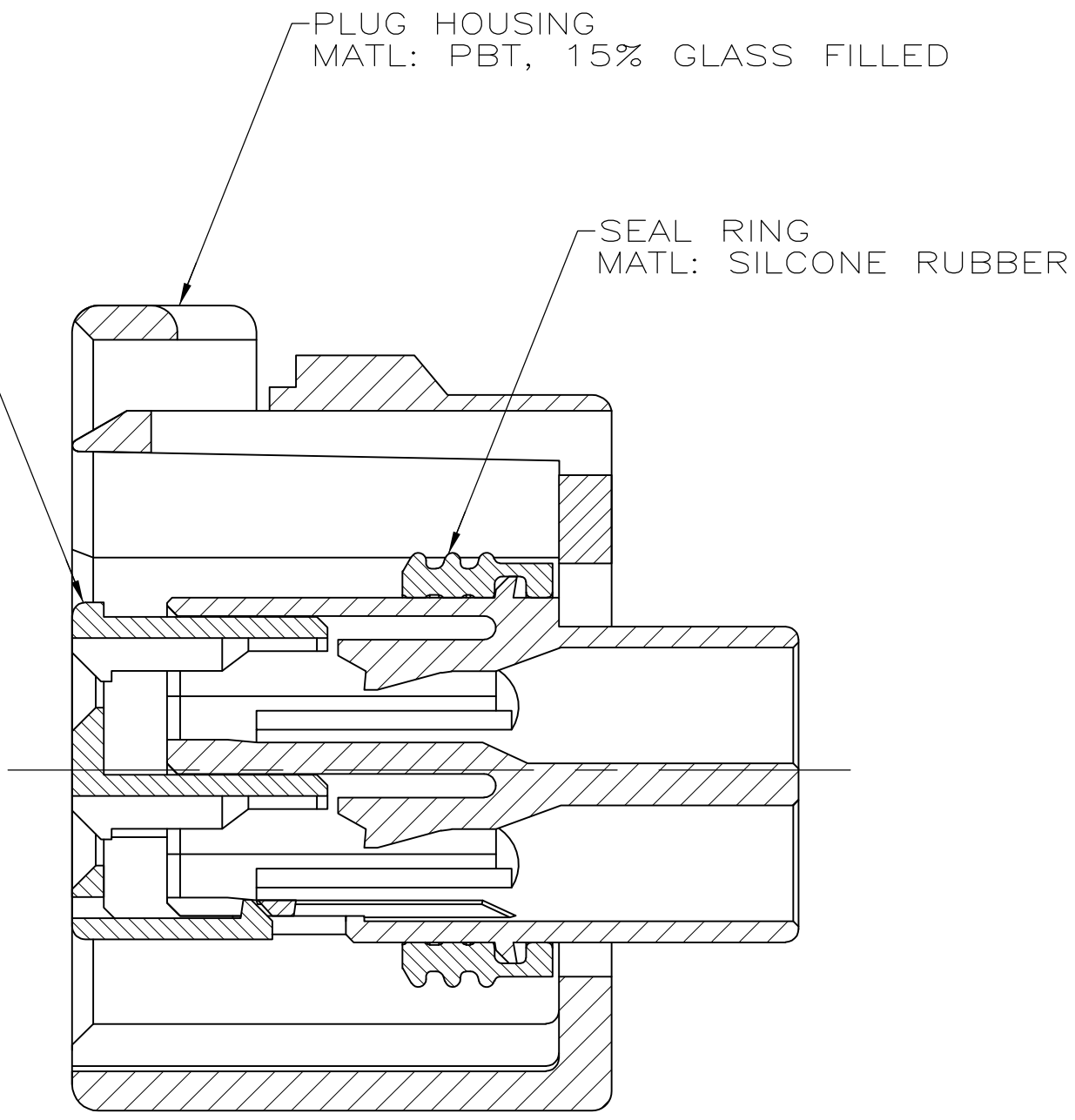
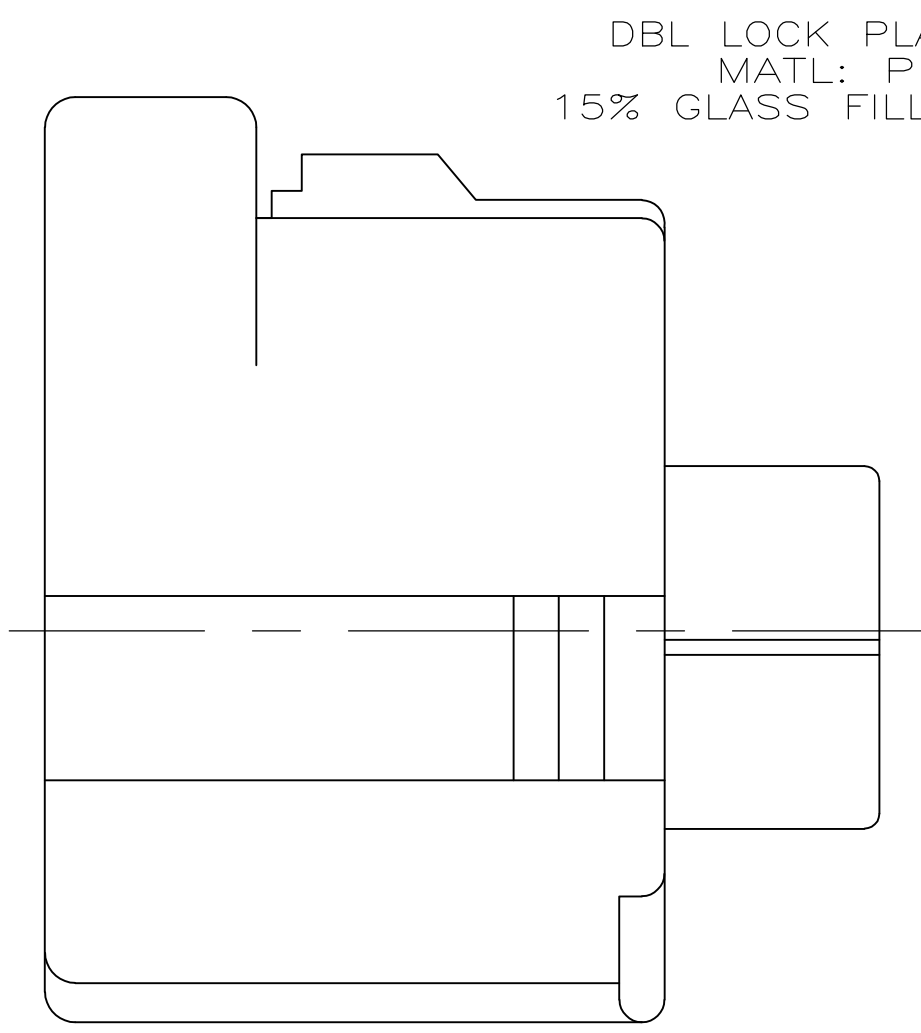
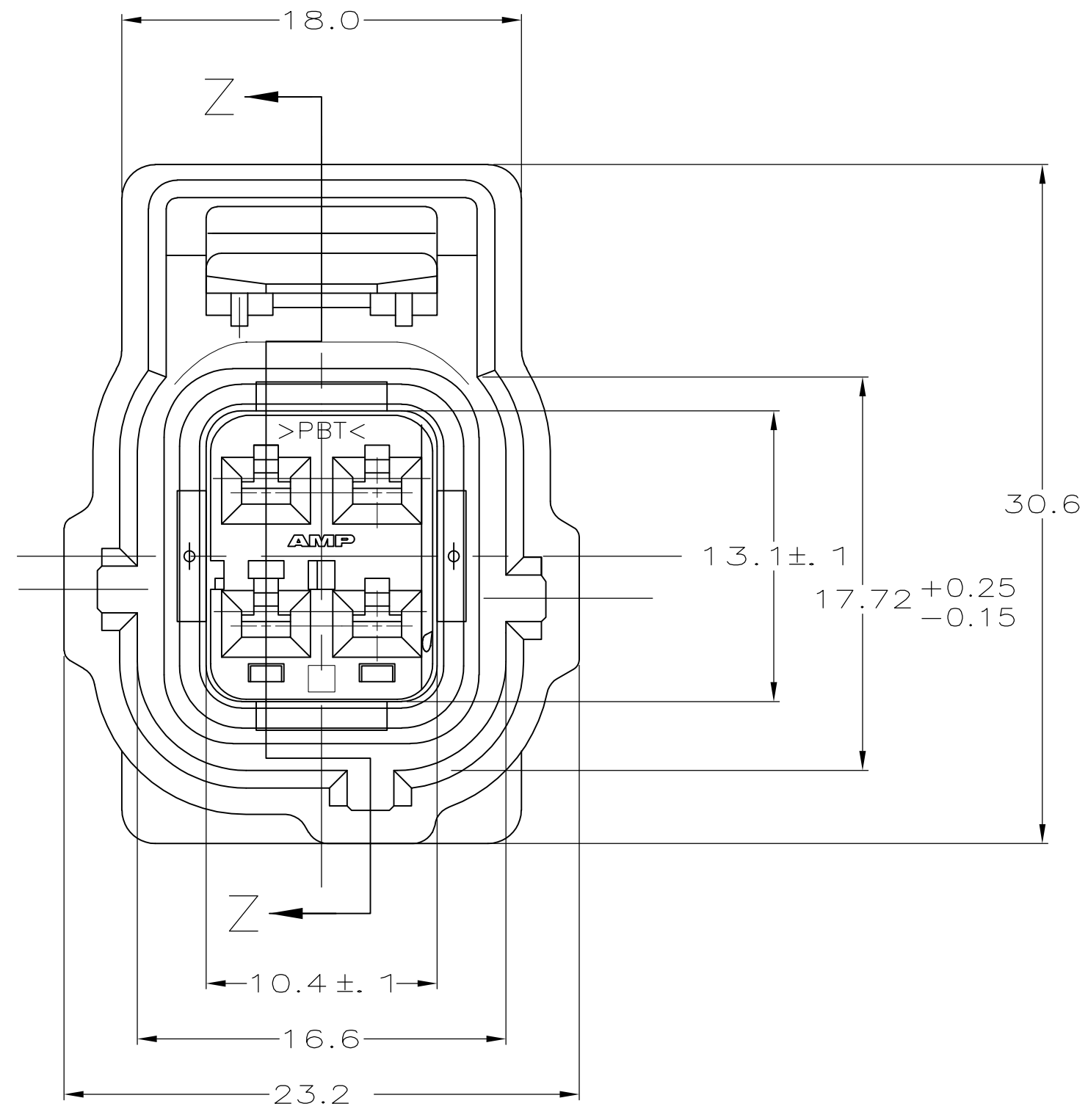
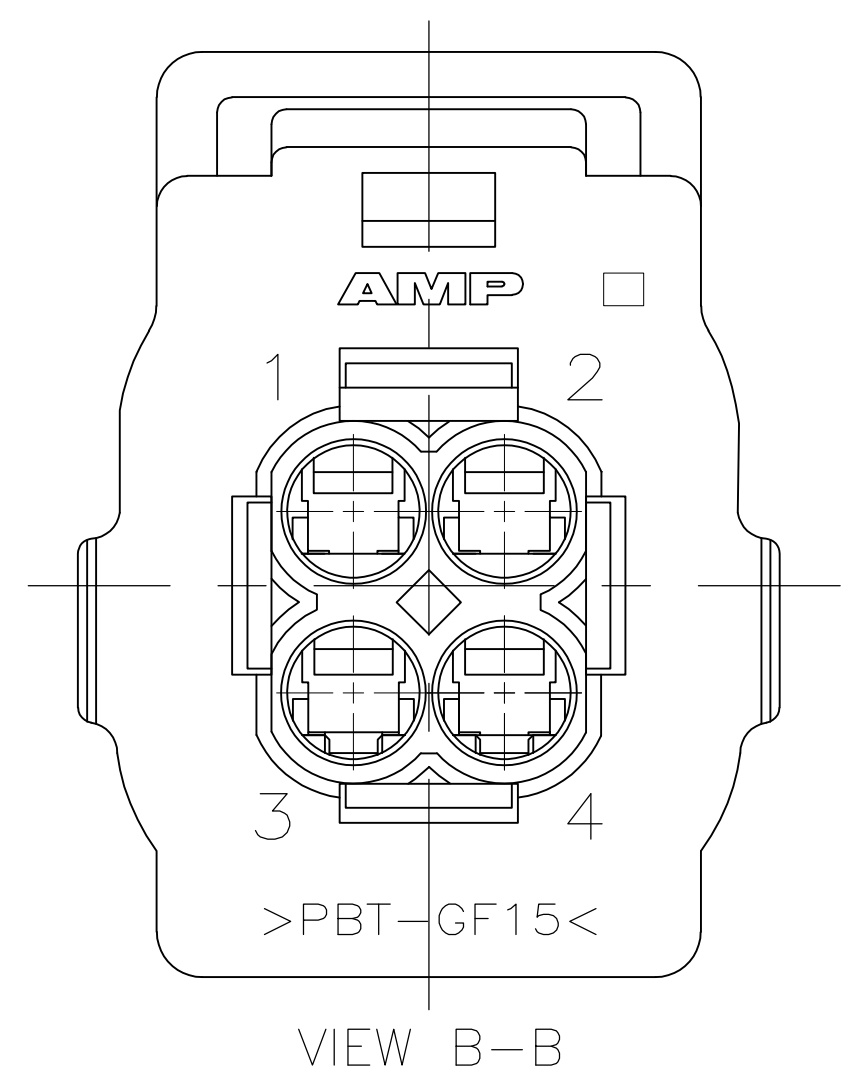
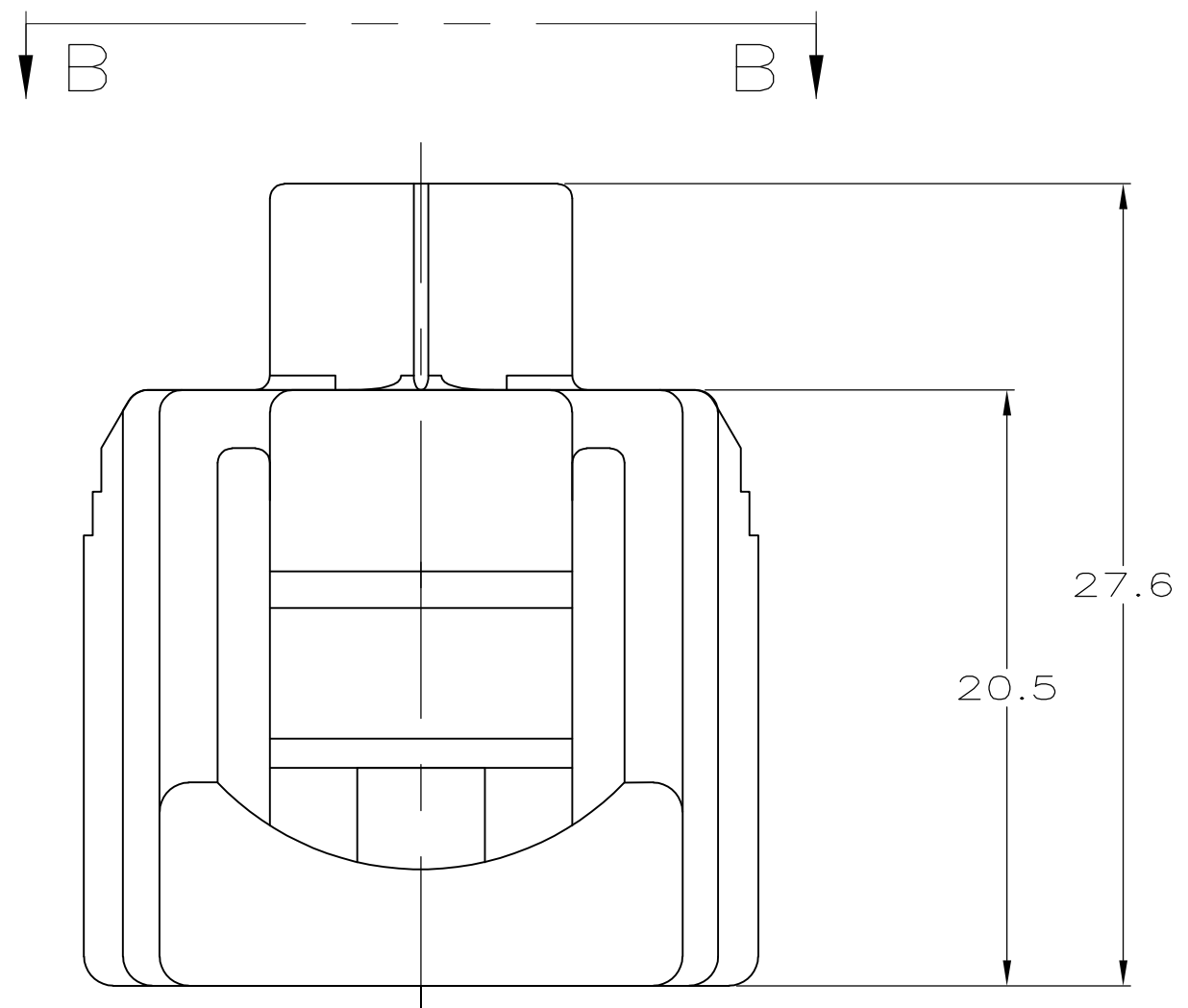


THIS DRAWING IS UNPUBLISHED. RELEASED FOR PUBLICATION
 © COPYRIGHT BY TYCO ELECTRONICS CORPORATION. ALL INTERNATIONAL RIGHTS RESERVED.

LOC	DIST	REVISIONS			
P	LTR	DESCRIPTION	DATE	DWN	APVD
GE	19	B	REVISED PER ECO-09-008507	09APR2009	DD MB



SECTION Z-Z
SCALE 4:1

GRAY	184401-2
NATURAL	184401-1
PLUG COLOR	PART NUMBER

THIS DRAWING IS A CONTROLLED DOCUMENT.		DWN	AJ GRAFF	01AUG01	Tyco Electronics Corporation Harrisburg, PA 17105-3608
DIMENSIONS: mm		CHK	K COBLE	01AUG01	
TOLERANCES UNLESS OTHERWISE SPECIFIED:		APVD	K COBLE	01AUG01	
0 PLC ± - 1 PLC ± 0.3 2 PLC ± 0.15 3 PLC ± - 4 PLC ± - ANGLES ± - FINISH -		PRODUCT SPEC	NAME		
MATERIAL		APPLICATION SPEC	2 X 2 PLG ASY KEY H-C3		RESTRICTED TO
-		WEIGHT	-	SIZE	A2
-		CUSTOMER DRAWING	CAGE CODE	00779	DRAWING NO
-		SCALE	4:1	C=184401	184401
-		SHEET	1 of 1	REV	B