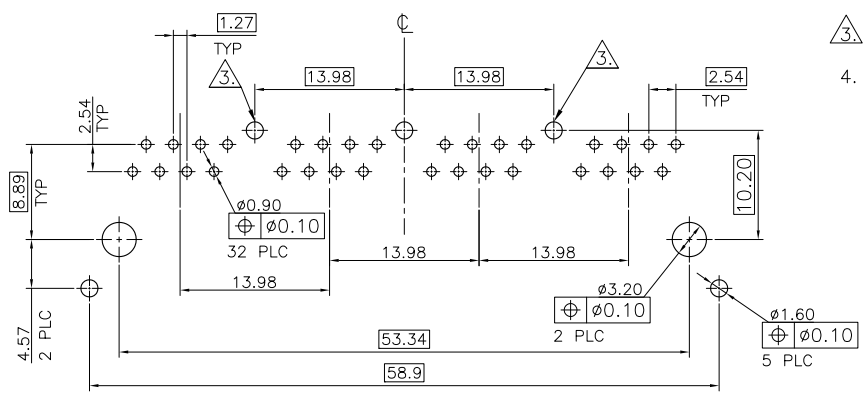
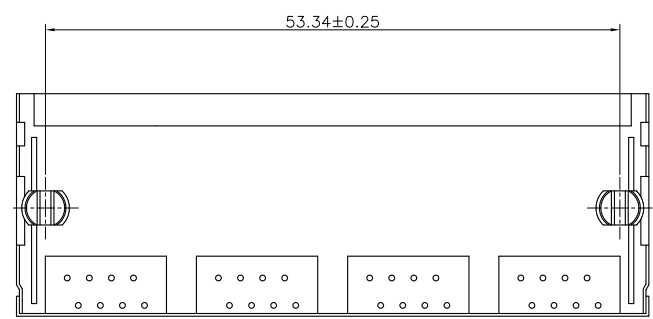
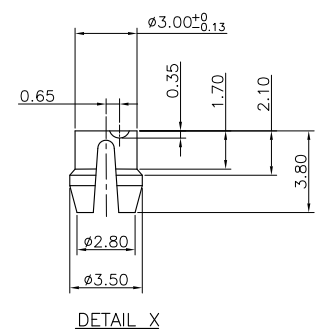
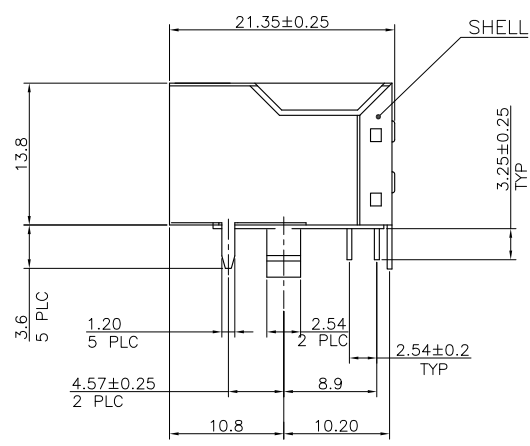
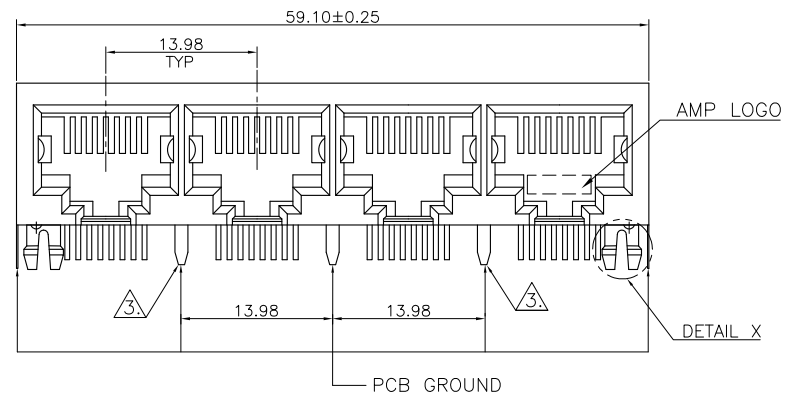


THIS DRAWING IS UNPUBLISHED. RELEASED FOR PUBLICATION
 © COPYRIGHT 2011 BY TYCO ELECTRONICS CORPORATION. ALL RIGHTS RESERVED.

LOC		DIST		REVISIONS				
DW		P	LTR	DESCRIPTION	DATE	DWN	APVD	
		D		REVISED (ECR-12-012115) OBSOLETE -2~-8, 1-1~1-8, 2-1~2-4, 3-1, 3-3, 3-4	26OCT'12	E.L.	W.K.	

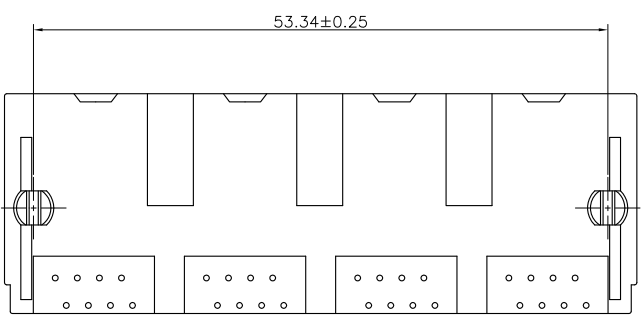
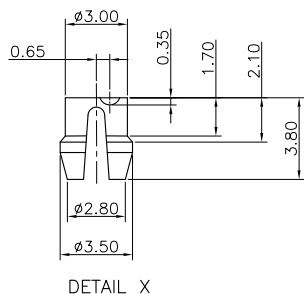
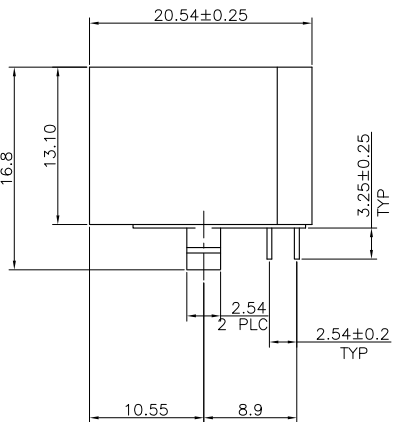
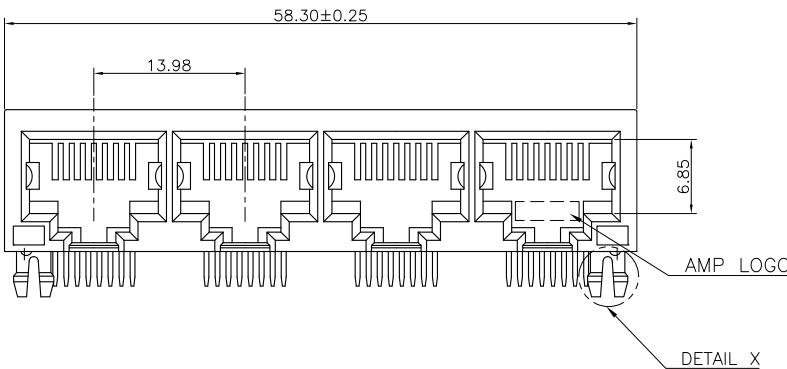


- NOTE:
- MATERIAL:
HOUSING: PBT WITH 30% GF, UL 94V-0, COLOR: SEE TABLE.
CONTACTS: PHOSPHOR BRONZE.
SHELL: BRASS.
 - FINISH:
CONTACTS: GOLD PLATED (SEE TABLE) ON CONTACT AREA,
1.27µm [50µ"] MIN. NICKEL UNDERPLATED ALL OVER.
SHELL: 0.51µm [20µ"] MIN. NICKEL PLATED.
 - REMOVE PCB HOLE AND SOLERTAIL OF SHIELD.
 - WAVE SOLDER CAPABLE TO 240°C PER TYCO TEST SPEC.
109-202, CONDITION A.

OBSOLETE	TUBE	YELLOW (PMS 114C)	50µ"	3-1734460-4
			30µ"	3-1734460-3
OBSOLETE	TRAY	YELLOW (PMS 114C)	15µ"	3-1734460-2
			6µ"	3-1734460-1
		BLACK	50µ"	2-1734460-4
			30µ"	2-1734460-3
			15µ"	2-1734460-2
			6µ"	2-1734460-1
			50µ"	1734460-8
			30µ"	1734460-7
		BLACK	15µ"	1734460-6
			6µ"	1734460-5
50µ"	1734460-4			
30µ"	1734460-3			
			15µ"	1734460-2
			6µ"	1734460-1
PACKAGE	HSG. COLOR	MIN. GOLD THICKNESS	PART NUMBER	

" WITH SHELL "

THIS DRAWING IS A CONTROLLED DOCUMENT.		DWN	O. HU	30OCT2006	 TE Connectivity					
DIMENSIONS: mm		CHK	S. HOU	30OCT2006						
TOLERANCES UNLESS OTHERWISE SPECIFIED:		APVD	W.J. KE	30OCT2006						
0 PLC ± 0.50 1 PLC ± 0.38 2 PLC ± 0.25 3 PLC ± 0.1 4 PLC ± 0.1 ANGLES ± - ± 3°		PRODUCT SPEC	108-57527							
MATERIAL	SEE NOTE	APPLICATION SPEC	NAME		MODULAR JACK RJ45, MULTI-PORT SHIELDED, THUR-HOLE, RIGHT ANGLE					
WEIGHT		22 GRAMS	SIZE	A3	CAGE CODE	00779	DRAWING NO	C=1734460	RESTRICTED TO	-
CUSTOMER DRAWING		SCALE		SHEET		1 of 4		REV	D	

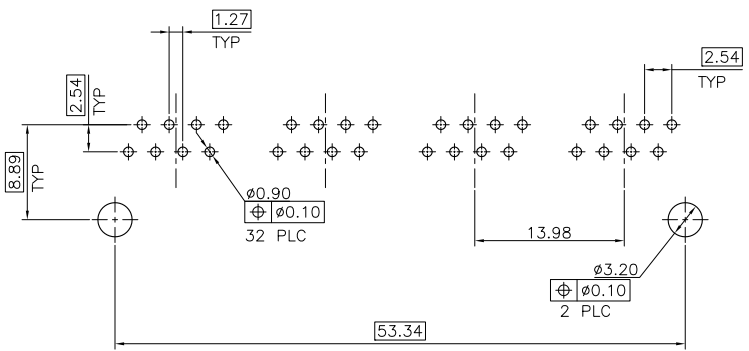


NOTE:

- MATERIAL:
HOUSING: PBT WITH 30% GF, UL 94V-0, COLOR: SEE TABLE.
CONTACTS: PHOSPHOR BRONZE.
- FINISH:
CONTACTS: GOLD PLATED (SEE TABLE) ON CONTACT AREA,
1.27µm [50µ"] MIN. NICKEL UNDERPLATED ALL OVER.
- WAVE SOLDER CAPABLE TO 240°C PER TYCO TEST SPEC.
109-202, CONDITION A.

OBSOLETE	YELLOW (PMS 114C)	50µ"	1734460-8
		30µ"	1734460-7
		15µ"	1734460-6
	BLACK	6µ"	1734460-5
		50µ"	1734460-4
		30µ"	1734460-3
		15µ"	1734460-2
		6µ"	1734460-1
HSG. COLOR	MIN. GOLD THICKNESS	PART NUMBER	

“ WITHOUT SHELL ”

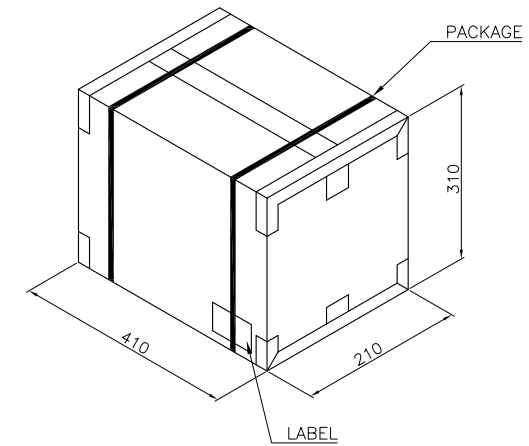
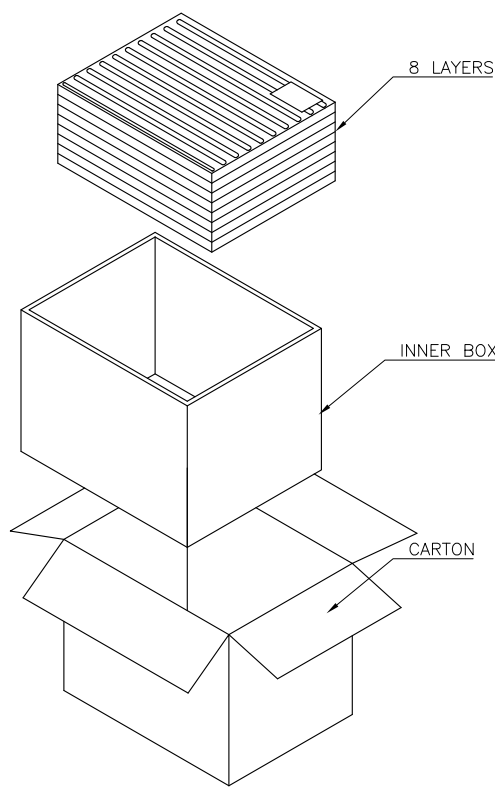
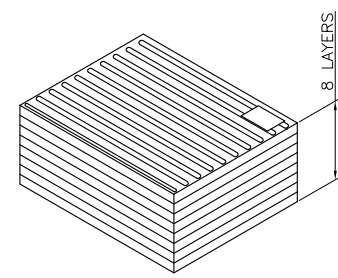
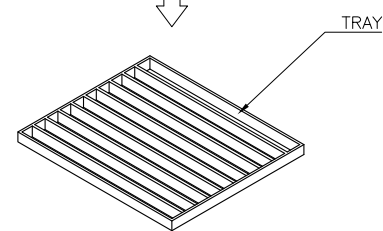
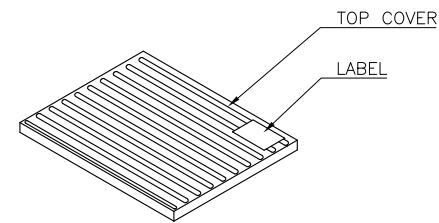


RECOMMENDED PCB LAYOUT (THICKNESS: 1.6mm)
 (TOP VIEW) (TOLERANCE: ±0.05)

THIS DRAWING IS A CONTROLLED DOCUMENT.		DWN		
DIMENSIONS: mm		CHK		
TOLERANCES UNLESS OTHERWISE SPECIFIED:		APVD	NAME	
0 PLC ± 0.50 1 PLC ± 0.38 2 PLC ± 0.25 3 PLC ± 0.1 4 PLC ± - ANGLES ± 3°		PRODUCT SPEC	MODULAR JACK RJ45, MULTI-PORT SHIELDED, THUR-HOLE, RIGHT ANGLE	
MATERIAL		APPLICATION SPEC	SIZE	CAGE CODE
FINISH		WEIGHT	DRAWING NO	RESTRICTED TO
		CUSTOMER DRAWING	A3	00779
		SCALE	C=1734460	
		SHEET	2 OF 4	REV D

THIS DRAWING IS UNPUBLISHED. RELEASED FOR PUBLICATION
 © COPYRIGHT 2011 BY TYCO ELECTRONICS CORPORATION. ALL RIGHTS RESERVED.

LOC DW	DIST	REVISIONS			
P	LTR	DESCRIPTION	DATE	DWN	APVD
		SEE SHEET 1.			



10 Kg	8 Kg	60	8	480 PCS	1-1734460-X
13 Kg	11 Kg	60	8	480 PCS	2-1734460-X
					1734460-X
GROSS WEIGHT	NET WEIGHT	PCS/TRAY	TRAYS / CARTON	QUANTITY	PART NUMBER

THIS DRAWING IS A CONTROLLED DOCUMENT.

DIMENSIONS: mm	TOLERANCES UNLESS OTHERWISE SPECIFIED: 0 PLC ± - 1 PLC ± 0.3 2 PLC ± 0.2 3 PLC ± 0.15 4 PLC ± - ANGLES ± 3'	DWN	-
		CHK	-
MATERIAL	FINISH	APVD	-
		PRODUCT SPEC	-
		APPLICATION SPEC	-
		WEIGHT	-
		CUSTOMER DRAWING	-

STE TE Connectivity

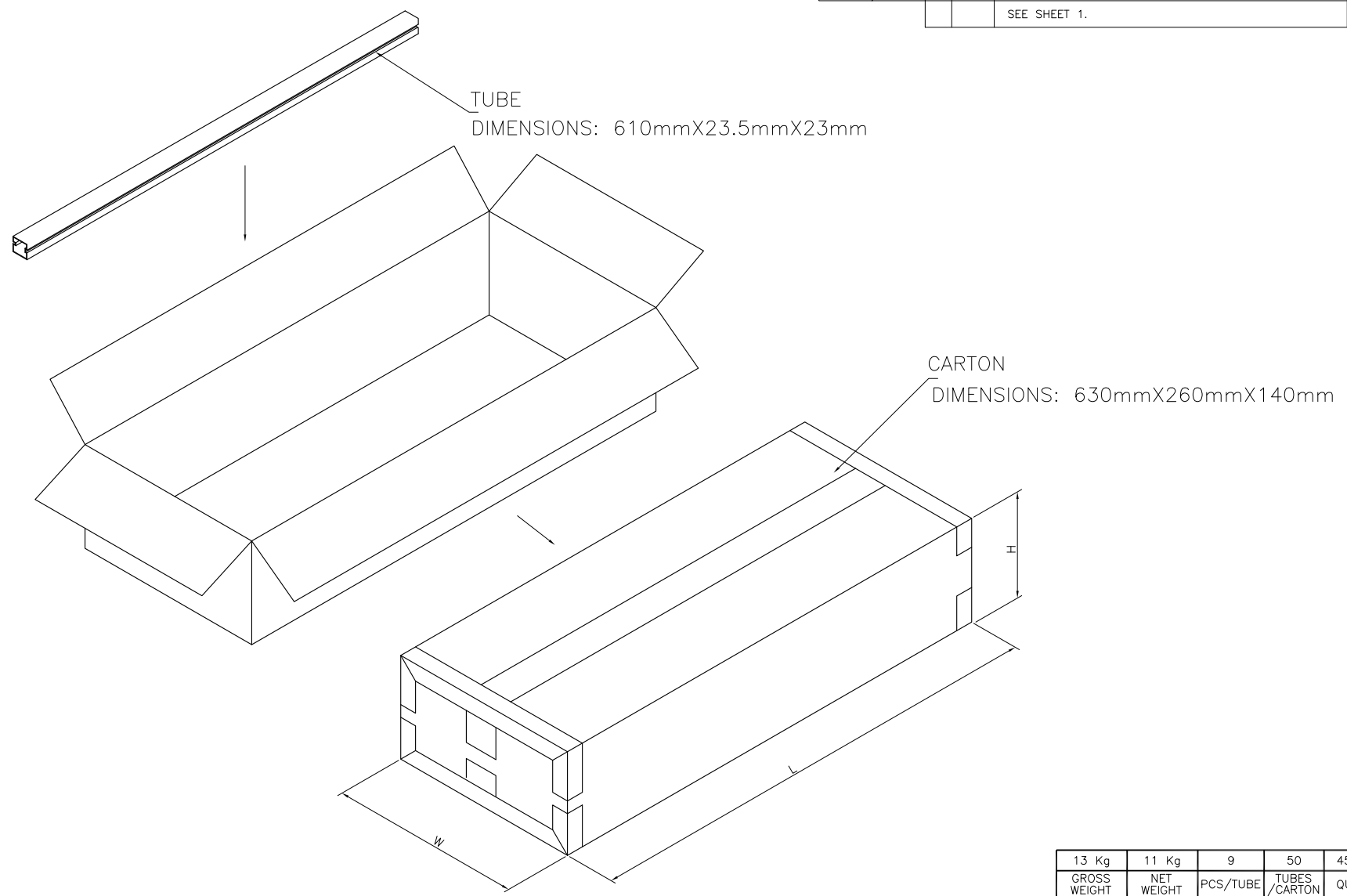
NAME: MODULAR JACK RJ45, MULTI-PORT SHIELDED, THUR-HOLE, RIGHT ANGLE

SIZE	CAGE CODE	DRAWING NO	RESTRICTED TO
A3	00779	C=1734460	-

SCALE: - SHEET: 3 of 4 REV: D

THIS DRAWING IS UNPUBLISHED. RELEASED FOR PUBLICATION
 © COPYRIGHT 2011 BY TYCO ELECTRONICS CORPORATION. ALL RIGHTS RESERVED.

LOC	DIST	REVISIONS					
DW		P	LTR	DESCRIPTION	DATE	DWN	APVD
				SEE SHEET 1.			



13 Kg	11 Kg	9	50	450 PCS	3-1734460-X
GROSS WEIGHT	NET WEIGHT	PCS/TUBE	TUBES /CARTON	QUANTITY	PART NUMBER

THIS DRAWING IS A CONTROLLED DOCUMENT.		DWN	-
DIMENSIONS: mm		CHK	-
TOLERANCES UNLESS OTHERWISE SPECIFIED:		APVD	-
0 PLC	± .	PRODUCT SPEC	-
1 PLC	± 0.3	APPLICATION SPEC	-
2 PLC	± 0.2	WEIGHT	-
3 PLC	± 0.15	CUSTOMER DRAWING	-
4 PLC	± .	SCALE	-
ANGLES	± 3'	SHEET	4 of 4
MATERIAL	FINISH	REV	D

STE TE Connectivity

NAME: MODULAR JACK RJ45, MULTI-PORT SHIELDED, THUR-HOLE, RIGHT ANGLE

SIZE	CAGE CODE	DRAWING NO	RESTRICTED TO
A3	00779	C=1734460	-