

CUSTOMER:

CUSTOMER PN:

GPN PN: E80D201VNN102AA40T

CONTROL NO.: G130250W0018 (97116)

ELECTRICAL CRITERIA

CAPACITANCE (120Hz/20°C): 1000 μ F
 CAP.TOLERANCE: -10/+30 %
 RATED VDC 200 V
 SURGE VDC (30 sec): 250 V
 MAX. ESR (120Hz/20°C): 186.2 m Ω
 TYP. ESR (120Hz/20°C): 105.0 m Ω
 MAX. IRMS (120Hz/85°C): 3.1 A
 MAX. DCL (V_{DC}/5:00/20°C): 1.789 mA

MECHANICAL CRITERIA

MAX. VIBRATION: 10-55Hz 10g
 TYP. WEIGHT: 57 grams

OPERATING CRITERIA

MAX. TEMPERATURE: +85 °C
 MIN. TEMPERATURE: -40 °C
 LOAD LIFE (V_{DC}+IRMS/85°C): 2000 Hrs
 MAX. Δ CAP. (measured value): \pm 20 %
 MAX. ESR (specified value): +200 %
 MAX. DCL (V_{DC}/5:00/20°C): 1.789 mA
 SHELF LIFE (85°C): 1000 Hrs
 MAX. Δ CAP. (measured value): \pm 20 %
 MAX. ESR (specified value): +150 %
 MAX. DCL (V_{DC}/5:00/20°C): 1.789 mA

IRMS FREQUENCY MULTIPLIERS

V _{DC}	50Hz	120Hz	300Hz	1kHz	10kHz	100kHz
6.3-50	0.95	1.00	1.03	1.05	1.08	1.08
63-100	0.92	1.00	1.07	1.12	1.19	1.20
160-250	0.81	1.00	1.17	1.32	1.45	1.50
315-500	0.77	1.00	1.16	1.30	1.41	1.43

IRMS AMBIENT MULTIPLIERS


45°C	60°C	70°C	85°C
1.73	1.50	1.32	1.00

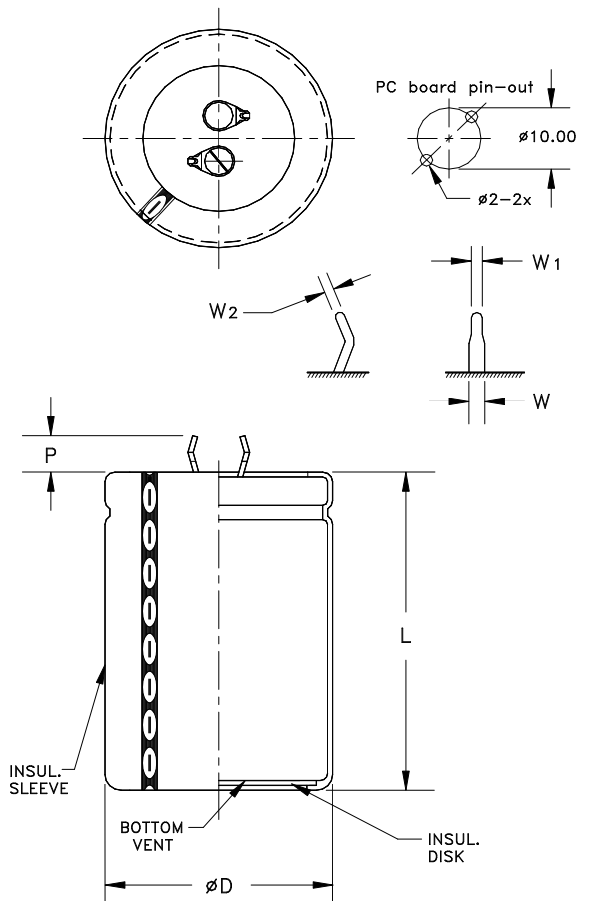
COMMENTS

RoHS Compliant

DIMENSIONAL CRITERIA			
	X	mm	in
\varnothing D	35.0	- 0.0	+ 1.0
L	40.0	- 2.0	+ 2.0
P	5.8	- 1.0	+ 1.0
W	1.5	- 0.2	+ 0.2
W1	0.8	- 0.1	+ 0.1
W2	0.8	- 0.1	+ 0.1

MARKING

 80D 85°C
 1000uF(P) 200V
 Date Code



TDS NO.: TDS-13-0035
 AUTHOR: JCP
 DATE: 11-JAN-2013