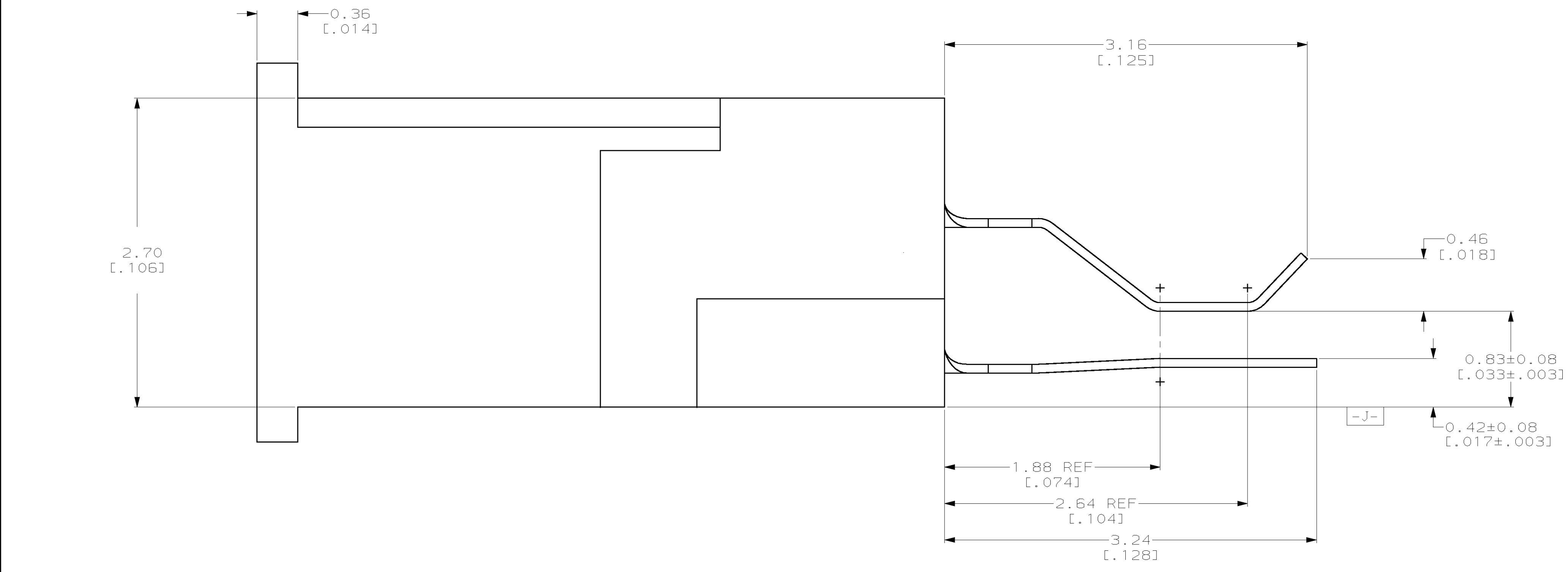
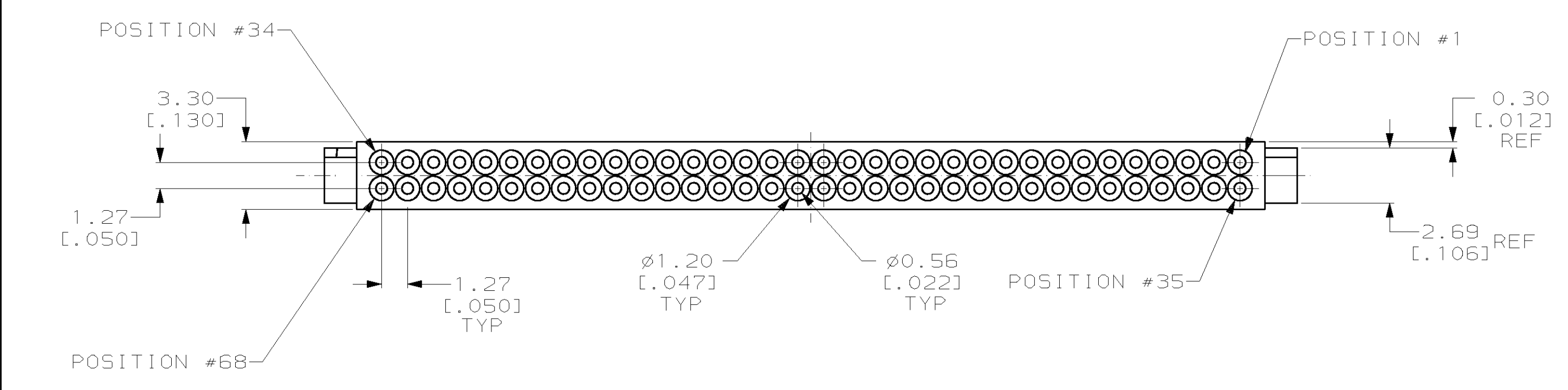
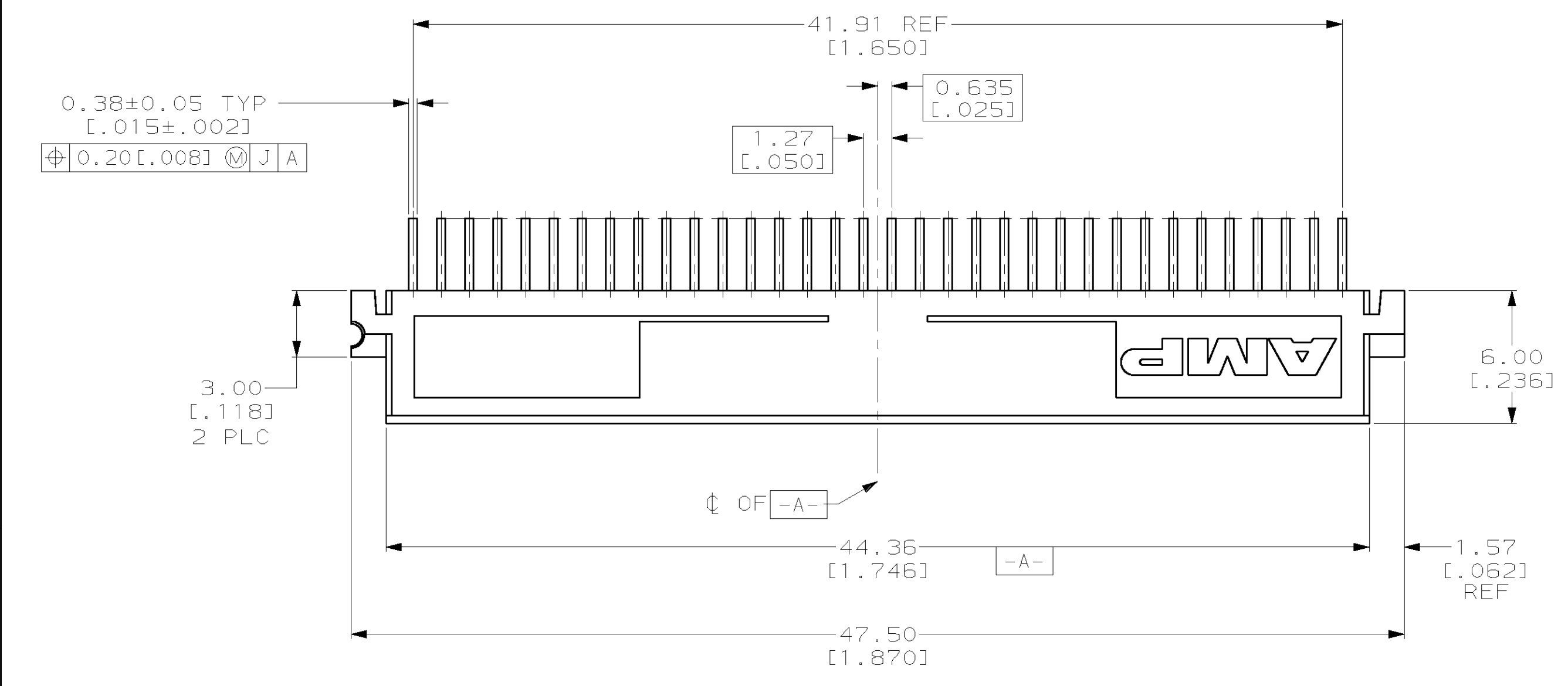


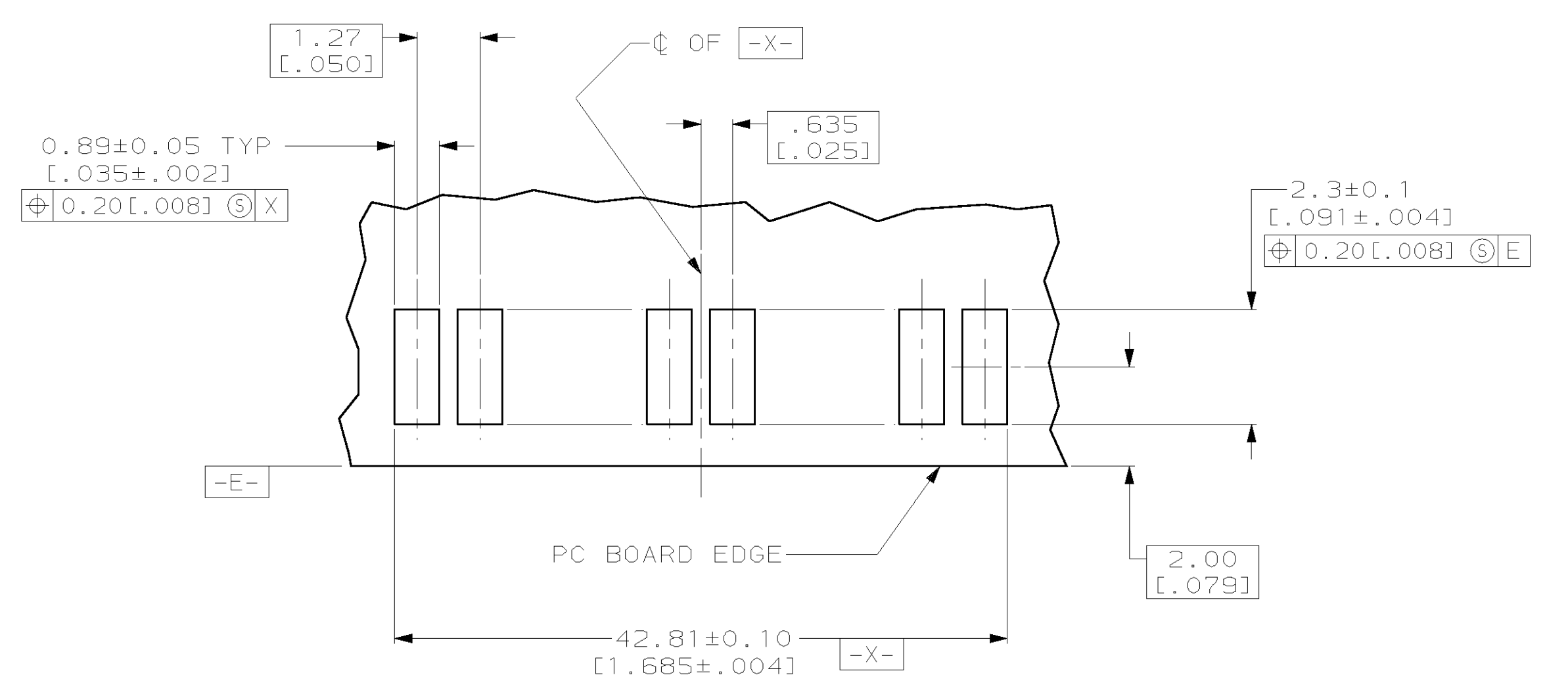
REV. NO.		DATE		BY		CHK		APP'D	
AD	39								

REV. NO.		DATE		BY		CHK		APP'D	
D									

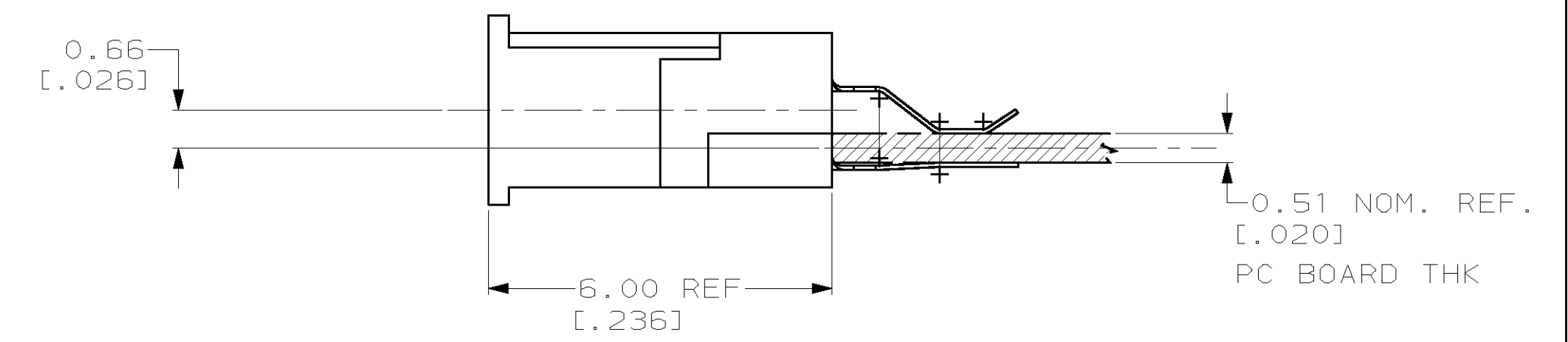


VIEW Z-Z
SCALE 40:1

- 1 HOUSING: LCP, GLASS FILLED, COLOR: BLACK.
- 2 CONTACT: BERYLLIUM COPPER.
- 3 0.00076[.000030] MINIMUM GOLD ON MATING AREA, 0.00254[.000100] MINIMUM TIN-LEAD ON SOLDER TAIL, ALL OVER 0.00127[.000050] MINIMUM NICKEL.
4. POINT OF CONTACT 2.3[.091] REF FROM MATING FACE.
5. PACKAGED PER EIA-481.
- 6 0.000127-0.000200[.000005-.000008] GOLD ON MATING AREA, 0.00254[.000100] MINIMUM TIN-LEAD ON SOLDER TAIL, ALL OVER 0.00127[.000050] MINIMUM NICKEL.



RECOMMENDED PC BOARD LAYOUT
SCALE 10:1



PC BOARD LOCATION (REF)
SCALE: 10:1

OBSELETE	68	146234-2
	68	146234-1
PLATING	POSITIONS	PART NUMBER

THIS DRAWING IS UNPUBLISHED. IT IS SUBJECT TO CHANGE AND THE CONTROLLING ENGINEERING ORGANIZATION SHALL BE CONTACTED FOR THE LATEST REVISION.		DWN D. WERTZ 10/24/94	AMP Incorporated Harrisburg, PA 17105-3608
DIMENSIONS: mm		CHK D. DIXON 10/24/94	AMP RCPT ASSEMBLY, STRADDLE MOUNT, 68 POS, 0.66mm/.026in OFFSET, AMP MEMORY CARD
TOLERANCES UNLESS OTHERWISE SPECIFIED: 0. PLC ±.005 1. PLC ±.005 2. PLC ±.005 3. PLC ±.005 4. PLC ±.005 ANGLES ±90°		APP'D D. DIXON 10/24/94	
MATERIAL FINISH		HEIGHT -	SIZE A1 CAGE CODE 00779 DRAWING NO. C=146234
CUSTOMER DRAWING		SCALE 5:1	SHEET 1 OF 1 REV D