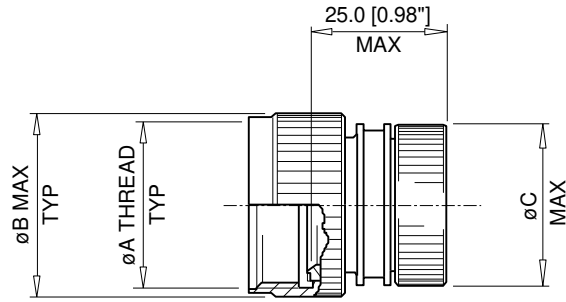


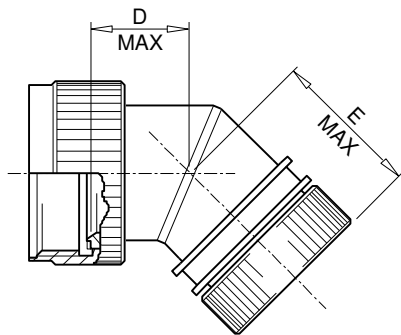
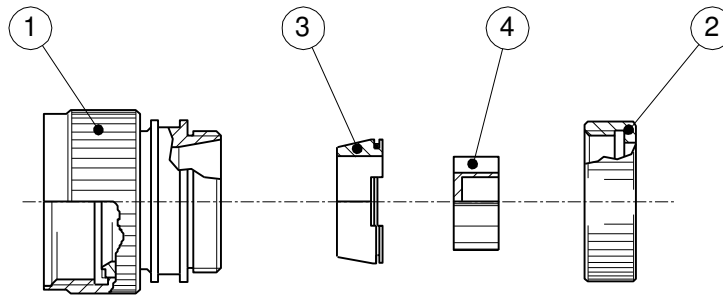
CUSTOMER DRAWING

REV: **A** DATE: 01 AUG 2013



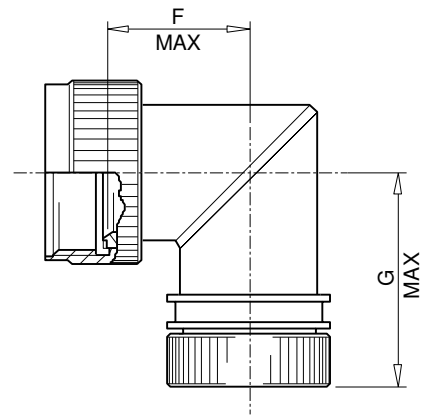
STRAIGHT ADAPTOR

-00



45° ADAPTOR


-45



90° ADAPTOR

-90

© 2013 Tyco Electronics Corporation. All rights reserved.

		<p align="center">TYCO ELECTRONICS A TE CONNECTIVITY COMPANY</p>		<p>TITLE: HEXASHIELD ADAPTOR FOR CODE 54 CONNECTORS PLAIN CLAMPING NUT</p>	
<p>UNLESS OTHERWISE SPECIFIED DIMENSIONS ARE IN MILLIMETERS. INCH DIMENSIONS ARE SHOWN IN BRACKETS</p>		<p>Tyco Electronics reserves the right to amend this drawing at any time. Users should evaluate the suitability of the product for their application.</p>		<p>DOCUMENT NO. HEX54-KC-YY-YY-AYY-1-YY</p>	
<p>DRAWN: N. NAGAR</p>	<p>DATE: 01 AUG 2013</p>	<p>APPROVED: H. SMITH</p>	<p>DATE: 01 AUG 2013</p>	<p>CODE IDENT NO: 06090</p>	<p>SCALE: NONE</p>
				<p>SHEET: 1 OF 4</p>	

If this document is printed it becomes uncontrolled. Check for the latest revision.

CUSTOMER DRAWING

REV: A	DATE: 01 AUG 2013
------------------	----------------------

KIT DESCRIPTION

ITEM	DESCRIPTION	MATERIAL
1	BODY ASSEMBLY	STAINLESS STEEL
2	CLAMPING NUT - PLAIN	STAINLESS STEEL
3	CONIC RING	STAINLESS STEEL
4	STAR	STAINLESS STEEL

TABLE OF DIMENSIONS


Order Number	Shell Size (see overleaf)		ØA Thread UNF/UNEF-2B	ØB Max	ØC Max	D Max	E Max	F Max	G Max	Ferrule Quantity	
	Type A	Type B								Std.	Opt.
09	08	N/A	0.5000"-20	16.0 [0.63"]	17.5 [0.69"]	12.5 [0.49"]	25.5 [1.00"]	17.0 [0.67"]	30.5 [1.20"]	1	-
11	10	N/A	0.6250"-24	22.0 [0.87"]	21.5 [0.85"]	13.0 [0.51"]	26.0 [1.02"]	17.5 [0.69"]	30.5 [1.20"]	2	-
13	12	07	0.7500"-20	25.0 [0.98"]	22.5 [0.89"]	14.0 [0.55"]	26.5 [1.04"]	19.0 [0.75"]	32.0 [1.26"]	3	-
15	14	12	0.8750"-20	30.0 [1.18"]	25.5 [1.00"]	14.5 [0.57"]	27.5 [1.08"]	20.5 [0.81"]	33.5 [1.32"]	5	-
17	16	19	1.0000"-20	33.0 [1.30"]	28.5 [1.12"]	15.0 [0.59"]	28.0 [1.10"]	22.0 [0.87"]	35.0 [1.38"]	6	-
19	18	27	1.0625"-18	37.0 [1.46"]	31.5 [1.24"]	15.5 [0.61"]	28.5 [1.12"]	23.5 [0.93"]	36.5 [1.44"]	7	-
21	20	37	1.1875"-18	38.0 [1.50"]	35.0 [1.38"]	16.5 [0.65"]	29.0 [1.14"]	25.5 [1.00"]	38.5 [1.52"]	9	11
23	22	N/A	1.3125"-18	41.0 [1.61"]	38.0 [1.50"]	17.0 [0.67"]	30.0 [1.18"]	27.0 [1.06"]	40.0 [1.57"]	10	13
25	24	N/A	1.4375"-18	46.0 [1.81"]	41.0 [1.61"]	18.0 [0.71"]	31.0 [1.22"]	28.5 [1.12"]	41.5 [1.63"]	12	17

PART NUMBERING

HEX54 - K C - 00 - 21 - A9 - 1 - DS

- CONNECTOR CODE NUMBER _____
- HEX54 = SEE APPLICATION
- MATERIAL CODE: _____
- K = STAINLESS STEEL
- PLATING CODE: _____
- C = ELECTROLESS NICKEL TO SAE-AMS-C-26074
- BODY STYLE _____
- 00 = STRAIGHT
- 45 = 45°
- 90 = 90°
- ORDER NUMBER _____
- FERRULE QUANTITY CODE _____
- 1 = PLAIN CLAMPING NUT _____
- DS = DRILLED STAR - OPTIONAL - SEE NOTE 2 _____

© 2013 Tyco Electronics Corporation. All rights reserved.

	TYCO ELECTRONICS <small>A TE CONNECTIVITY COMPANY</small>	TITLE: HEXASHIELD ADAPTOR FOR CODE 54 CONNECTORS PLAIN CLAMPING NUT
UNLESS OTHERWISE SPECIFIED DIMENSIONS ARE IN MILLIMETERS. INCH DIMENSIONS ARE SHOWN IN BRACKETS		DOCUMENT NO. HEX54-KC-YY-YY-AYY-1-YY
DRAWN: N. NAGAR	DATE: 01 AUG 2013	APPROVED: H. SMITH
	DATE: 01 AUG 2013	CODE IDENT NO: 06090
		SCALE: NONE
		SHEET: 2 OF 4

If this document is printed it becomes uncontrolled. Check for the latest revision.

CUSTOMER DRAWING

REV: A	DATE: 01 AUG 2013
------------------	----------------------

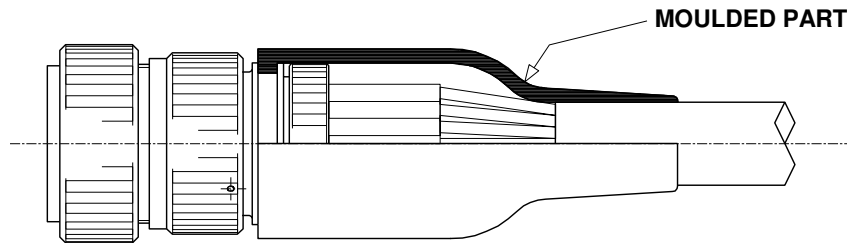
APPLICATION

- These adaptors are designed to be mounted on the following connectors:

MIL-C-26482 Series II)	
MIL-C-83723 Series I and III)	Shell Size Type A
MIL-C-5015)	
HE312)	

MIL-C-81703 Series III)	
HE312)	Shell Size Type B
DBAD)	

- They are qualified to the Raychem specification RB-114, when installed on metallic Mil-Specification circular connectors only.
- They are designed primarily for open wire bundle installation but are also designed to accept Raychem heat shrink moulded parts where strain relief is required – see illustration.



- Use in conjunction with the ferrules HET-A-0XX, which are purchased separately. Refer to HET-A-0XX S.C.D. for relevant selection details.

INSTALLATION

- See Installation Procedure RPIP-696-04 for assembly.
- See Installation Procedure RPIP-696-00 for shield termination.

PACKAGING

- All components are supplied in a plastic bag.

© 2013 Tyco Electronics Corporation. All rights reserved.

TYCO ELECTRONICS <small>A TE CONNECTIVITY COMPANY</small>		TITLE: HEXASHIELD ADAPTOR FOR CODE 54 CONNECTORS PLAIN CLAMPING NUT		
<small>UNLESS OTHERWISE SPECIFIED DIMENSIONS ARE IN MILLIMETERS. INCH DIMENSIONS ARE SHOWN IN BRACKETS</small>		<small>Tyco Electronics reserves the right to amend this drawing at any time. Users should evaluate the suitability of the product for their application.</small>		DOCUMENT NO. HEX54-KC-YY-YY-AYY-1-YY
DRAWN: N. NAGAR	DATE: 01 AUG 2013	APPROVED: H. SMITH	DATE: 01 AUG 2013	CODE IDENT NO: 06090
		SCALE: NONE	SHEET: 3 OF 4	

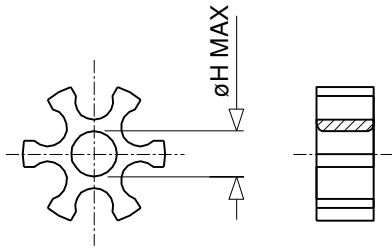
If this document is printed it becomes uncontrolled. Check for the latest revision.

CUSTOMER DRAWING

REV: A	DATE: 01 AUG 2013
------------------	----------------------

NOTES!

1. The DS option, illustrated below, is for a Drilled Star that is available on sizes 15 to 25 only. This option is to allow unshielded wires to pass through the assembly.

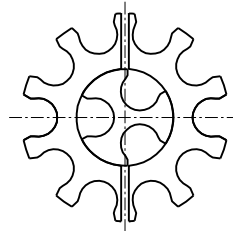


STAR SIZE	15	17	19	21	23	25
ØH MAX	3.0 [0.12"]	6.0 [0.24"]	9.0 [0.35"]	12.0 [0.47"]	15.0 [0.59"]	18.0 [0.71"]

2. Where the ferrule quantities required are standard, the item 4 - Star - is also standard.
If the optional quantity is selected then 2 items 4 will be supplied - one "split" and the other one standard.
See below for illustration.

EXAMPLE: FERRULE QUANTITY CODE -A13

-A13 = -A10 SPLIT STAR + -A3 STANDARD STAR



3. Assembly is to be permanently marked with Code Identity Number and Part Number.
(e.g. 06090 HEX54-KC-00-21-A9-1)

© 2013 Tyco Electronics Corporation. All rights reserved.

<b style="font-size: 1.2em;">TYCO ELECTRONICS <small>A TE CONNECTIVITY COMPANY</small>		TITLE: HEXASHIELD ADAPTOR FOR CODE 54 CONNECTORS PLAIN CLAMPING NUT				
UNLESS OTHERWISE SPECIFIED DIMENSIONS ARE IN MILLIMETERS. INCH DIMENSIONS ARE SHOWN IN BRACKETS		Tyco Electronics reserves the right to amend this drawing at any time. Users should evaluate the suitability of the product for their application.		DOCUMENT NO. HEX54-KC-YY-YY-AYY-1-YY		
DRAWN: N. NAGAR	DATE: 01 AUG 2013	APPROVED: H. SMITH	DATE: 01 AUG 2013	CODE IDENT NO: 06090	SCALE: NONE	SHEET: 4 OF 4

If this document is printed it becomes uncontrolled. Check for the latest revision.