

6

5

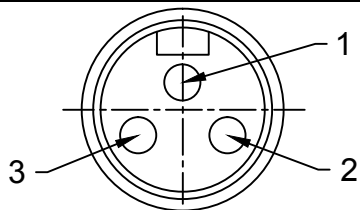
4

3

2

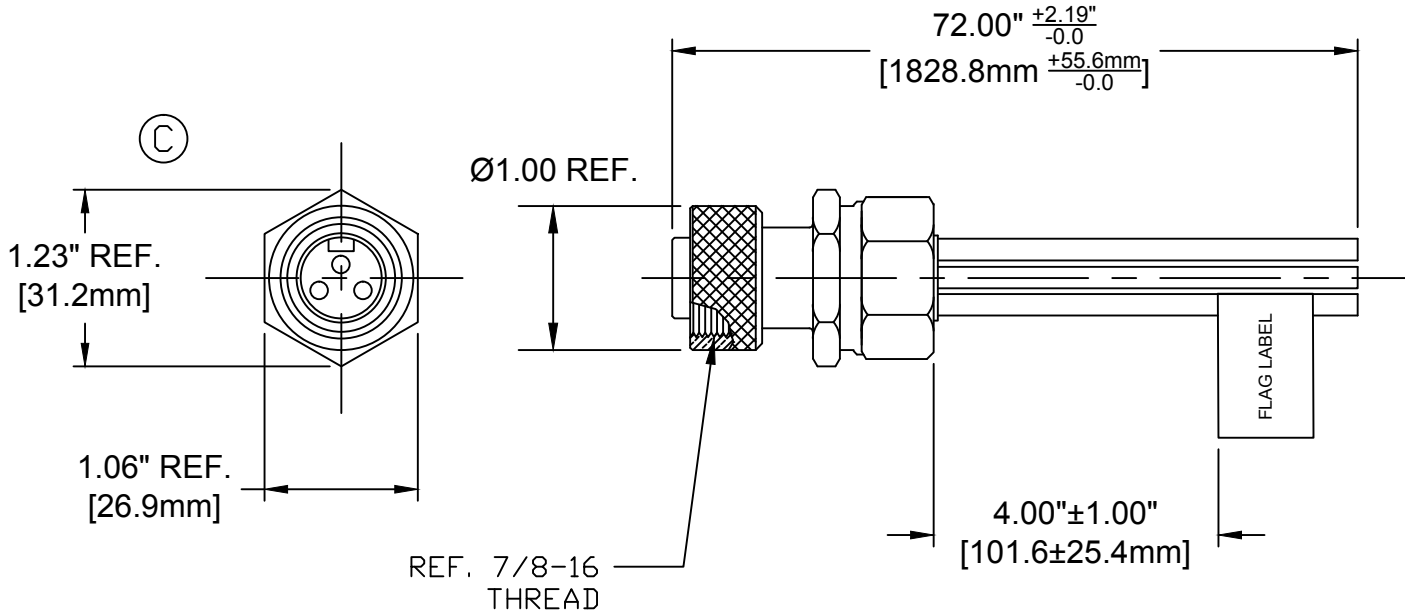
1

FACE VIEW-FEMALE INSERT



1 GREEN  
2 BLACK  
3 WHITE

MATERIAL P/N #	ENGINEERING P/N
1300062099	40925



SPECIFICATIONS:

MINI-CHANGE RECEPTACLE:

RECEPTACLE SHELL: ZINC PLATED STEEL  
CONTACT: GOLD/NICKEL OVER COPPER ALLOY  
INSERT: YELLOW PVC  
CLAMP NUT: CLEAR ANODIZED ALUMINUM  
PLASTIC FERRULE: WHITE NYLON  
METAL FERRULE: ZINC PLATED STEEL  
LABEL: YELLOW VINYL

WIRE: #16/1 THERMOPLASTIC 1015/TEW WIRE  
WIRE MARKING: STYLE 1015, MTW AND CSA  
TEW, 26AWG, 600V AND 105°C  
ASSEMBLY RATINGS: 600V Max., 13A Max.  
PROTECTION CLASS: IP67

1.23 WAS 2.45 EC NO: IPC2015-0288 DRWN: RSTONE 8/13/14 CHKD: BWOODMAN014/08/14 APPR: BWOODMAN 2009/08/28 REV C	QUALITY SYMBOLS	GENERAL TOLERANCES (UNLESS SPECIFIED)		DIMENSION STYLE IN/MM	SCALE NTS	DESIGN UNITS INCH	THIRD ANGLE PROJECTION
	$\nabla=0$ $\nabla C=0$	4 PLACES	mm	INCH	DRAWN BY DATE	TITLE	
		3 PLACES	±---	±---	T.V. 2009/08/25	MC 3P FP LIQUID TIGHT 16AWG PVC	
		2 PLACES	±0.13	±0.020	CHECKED BY DATE	MOLEX INCORPORATED	
	1 PLACE	±0.25	±0.010	APPROVED BY DATE	DOCUMENT NO.		
		ANGULAR ±1/2°		DTITUS 2009/08/28	SD-130062-005		
		DRAFT WHERE APPLICABLE MUST REMAIN WITHIN DIMENSIONS		MATERIAL NO.	SHEET NO.		
				SEE CHART	1 OF 1		
				SIZE A	THIS DRAWING CONTAINS INFORMATION THAT IS PROPRIETARY TO MOLEX INCORPORATED AND SHOULD NOT BE USED WITHOUT WRITTEN PERMISSION		

6

5

4

3

2

1

E

D

C

B

A

E

D

C

B

A