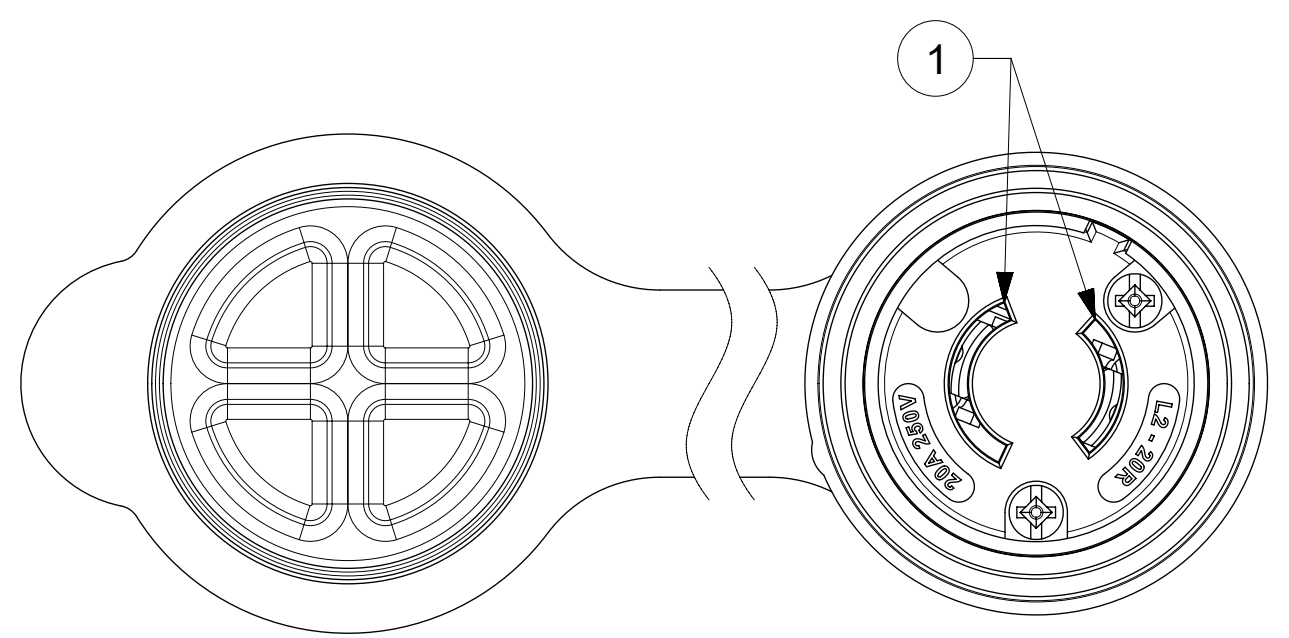
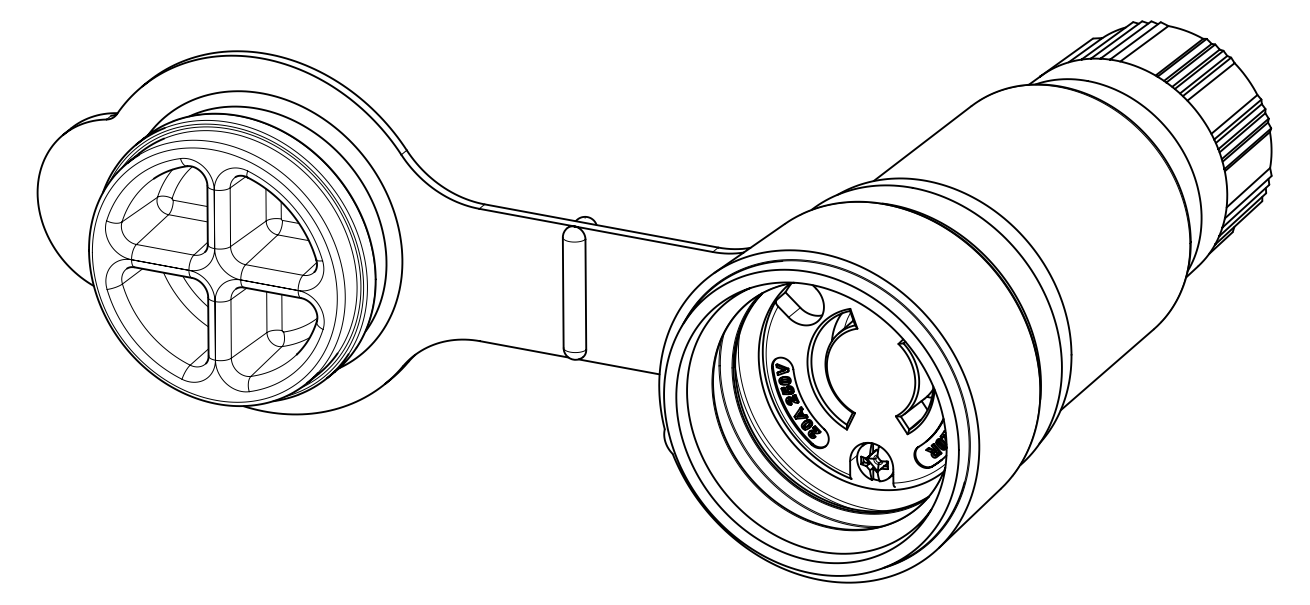
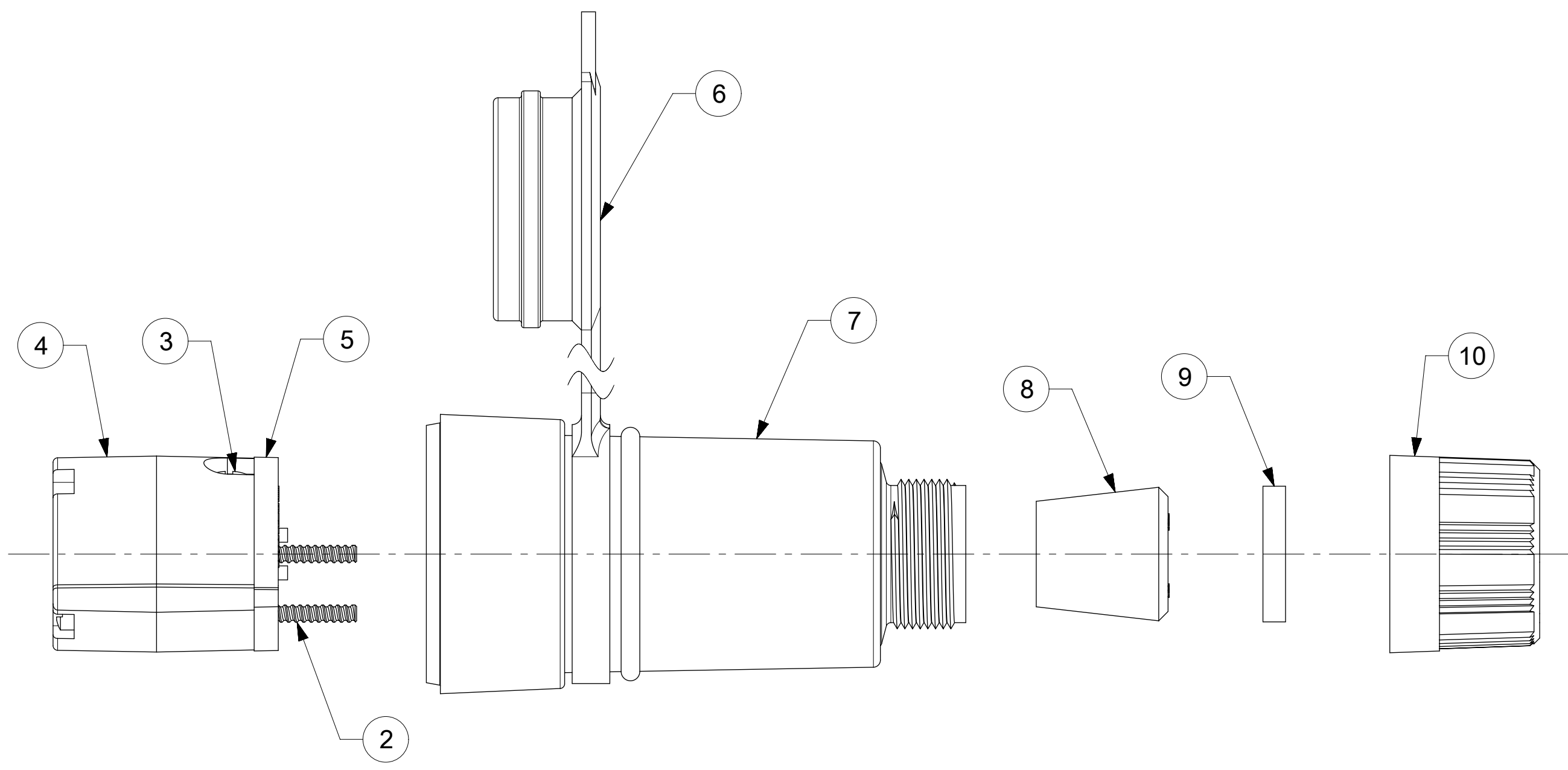
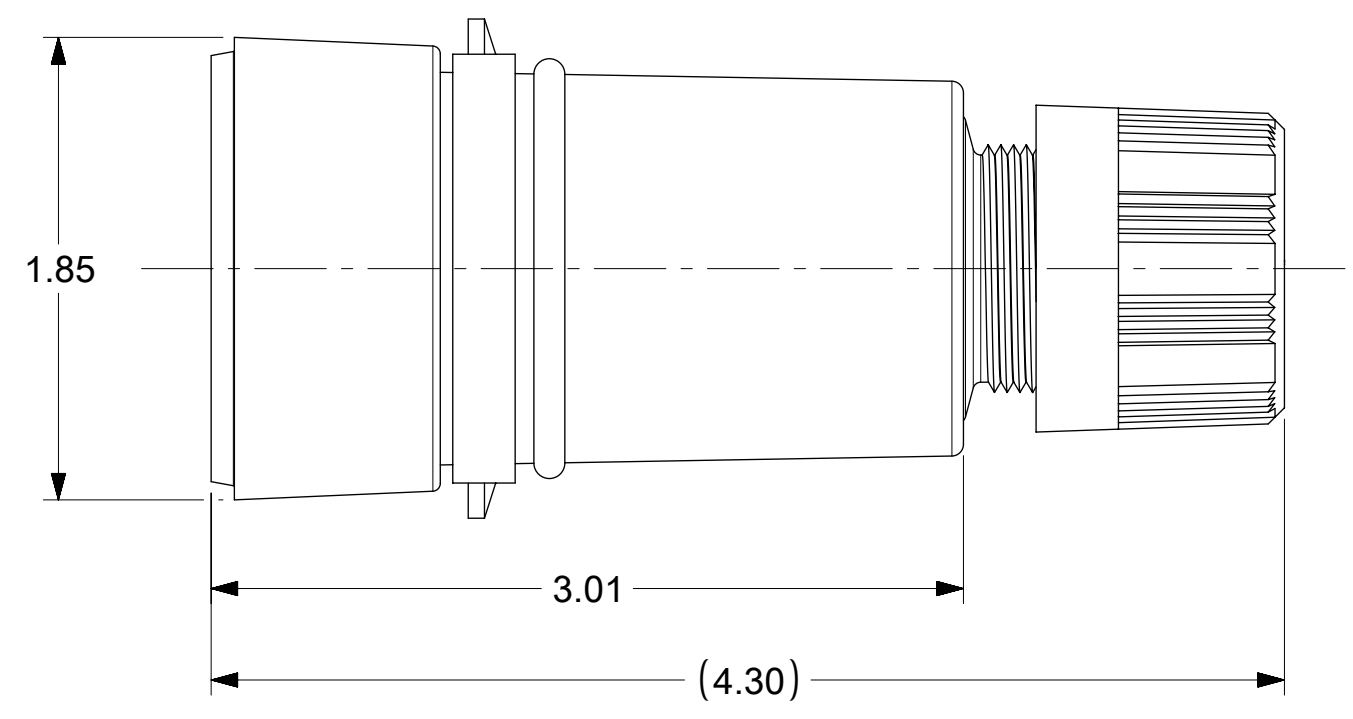


ORDER NO.	WOODHEAD NO.	COLOR
130146-0225	27W07-P	YELLOW




**FACE VIEW**



ITEM NO.	DESCRIPTIONS	MATERIAL	QTY.
1	BLADES	BRASS	2
2	RETAINING SCREWS	STAINLESS STEEL	2
3	TERMINAL SCREWS	BRASS, ZINC PLATED	2
4	INSERT	NYLON	1
5	TERMINAL COVER	POLYCARBONATE	1
6	FLIP COVER	SILICON	1
7	HOUSING	RUBBER WITH NYLON THREAD	1
8	GROMMETS	RUBBER	5
9	FRICTION RING	NYLON	1
10	COMPRESSION NUT	NYLON	1

**NOTES:**  
 1. SEE INSTRUCTION SHEET NUMBER 1301414770 FOR PRODUCT SPECIFICATION.  
 2. CABLE RANGE FROM 0.375" TO 0.625"

SYMBOLS		THIS DRAWING CONTAINS INFORMATION THAT IS PROPRIETARY TO MOLEX ELECTRONIC TECHNOLOGIES, LLC AND SHOULD NOT BE USED WITHOUT WRITTEN PERMISSION		CURRENT REV DESC: RELEASED	
▽ = 0	INCH	SCALE	NTS	 WATERTITE CONNECTOR, L2-20R PRODUCT CUSTOMER DRAWING	
▽ = 0	GENERAL TOLERANCES (UNLESS SPECIFIED)		EC NO: 613684		
▽ = 0	ANGULAR TOL ± 0.5°		DRWN: ABABU01 2018/11/27		
▽ = 0	4 PLACES ±		CHK'D: DNGUYEN62 2019/03/15		
▽ = 0	3 PLACES ± 0.005		APPR: HKNEELAND 2019/03/21	INITIAL REVISION:	
▽ = 0	2 PLACES ± 0.01		DRWN: ABABU01 2018/11/27	DOCUMENT NUMBER	
▽ = 0	1 PLACE ± 0.02		APPR: HKNEELAND 2019/03/21	1301460225	
□ = 0	0 PLACES ±		THIRD ANGLE PROJECTION	DOC TYPE	DOC PART
■ = 0	DRAFT WHERE APPLICABLE MUST REMAIN WITHIN DIMENSIONS		DRAWING	SERIES	REVISION
▽ = 0			C-SIZE	130146	A
MATERIAL NUMBER		CUSTOMER		SHEET NUMBER	
SEE TABLE		GENERAL MARKET		1 OF 1	