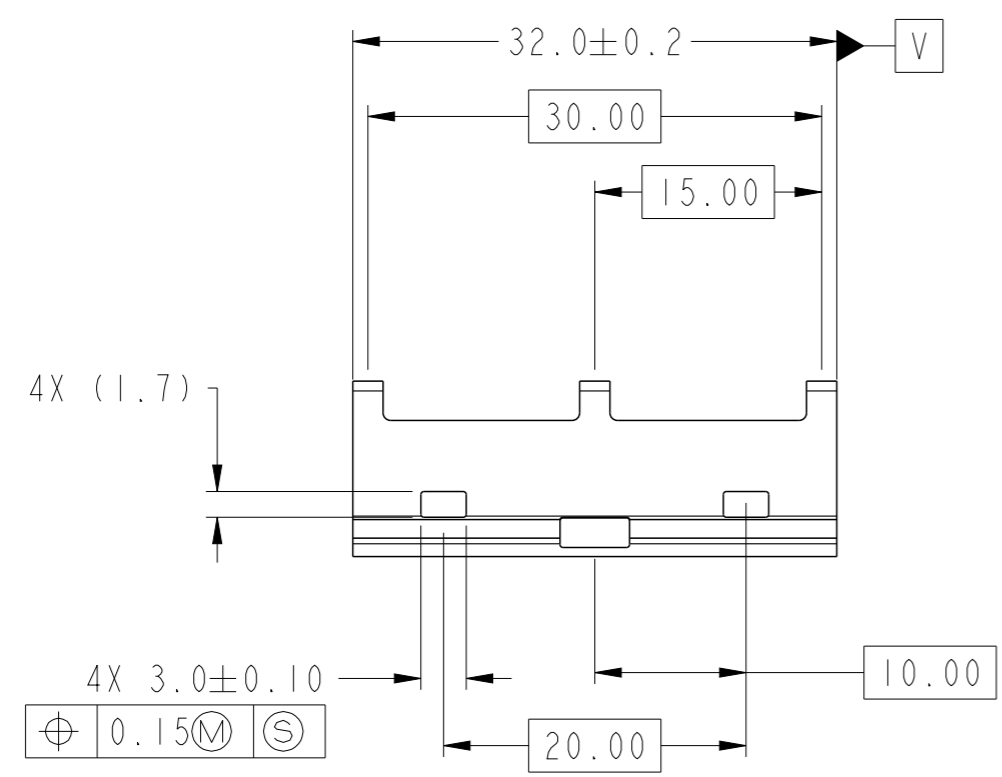
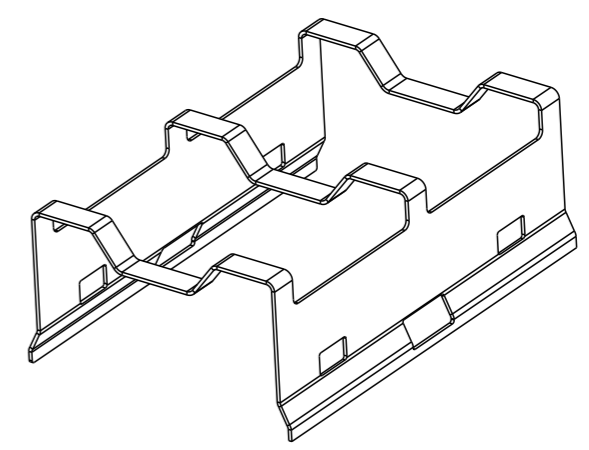
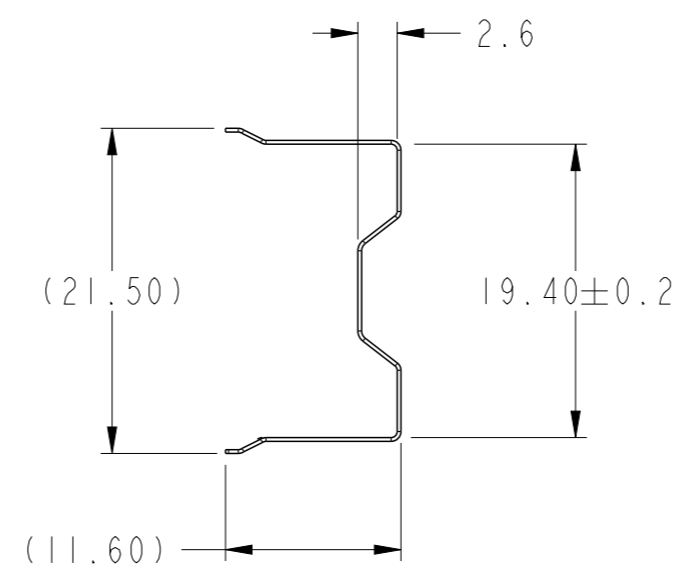
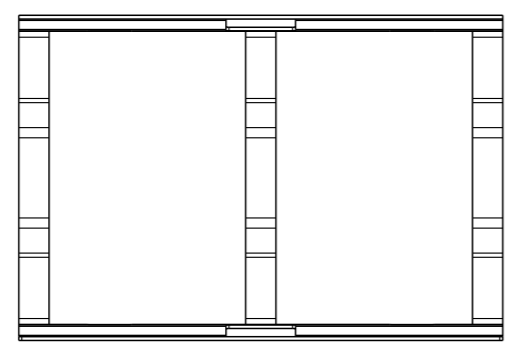


PART NUMBER  
10099116-001LF



NOTES:

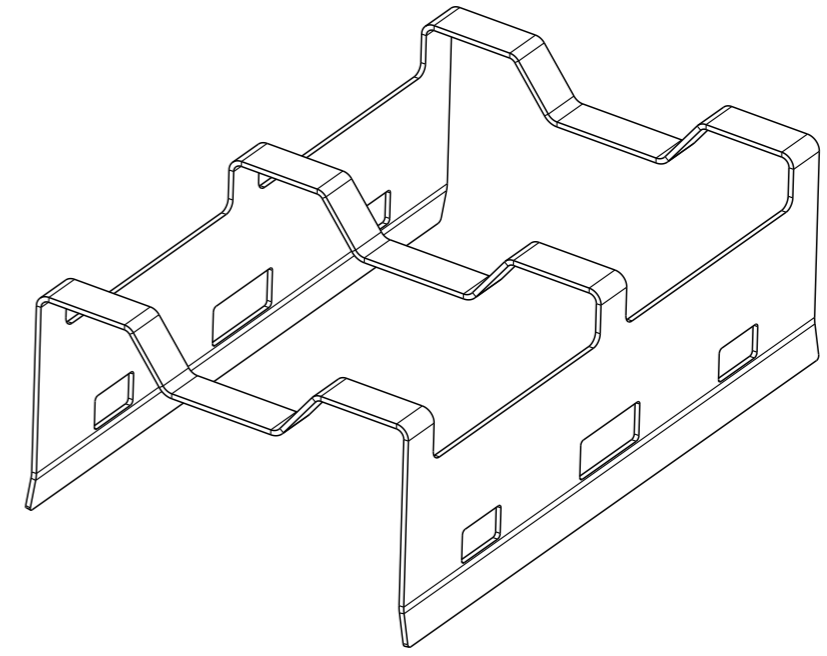
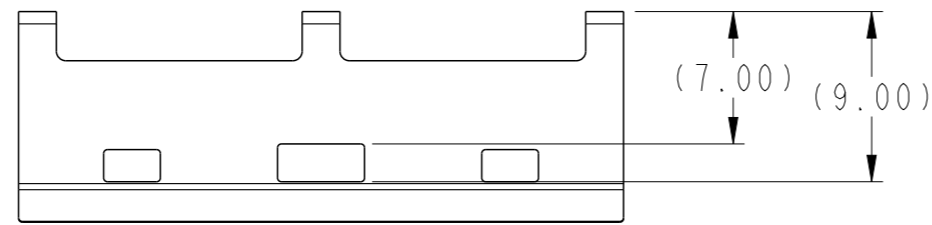
1. MATERIAL: COPPER ALLOY, NICKEL PLATED
2. PRODUCT SPECIFICATION: GS-12-622
3. APPLICATION SPECIFICATION: GS-20-126
4. PRODUCT MEETS EUROPEAN UNION DIRECTIVES AND OTHER COUNTRY REGULATIONS AS DESCRIBED IN GS-22-008.



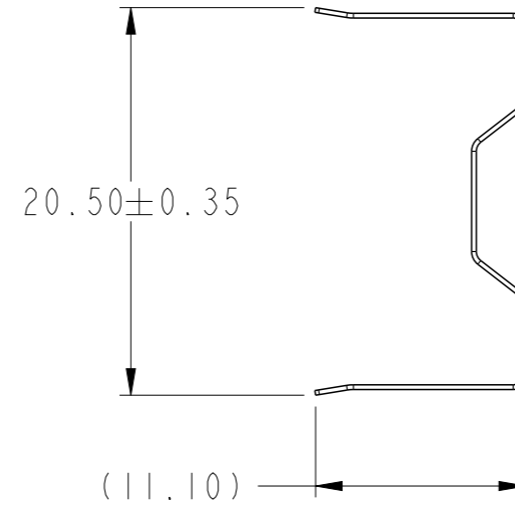
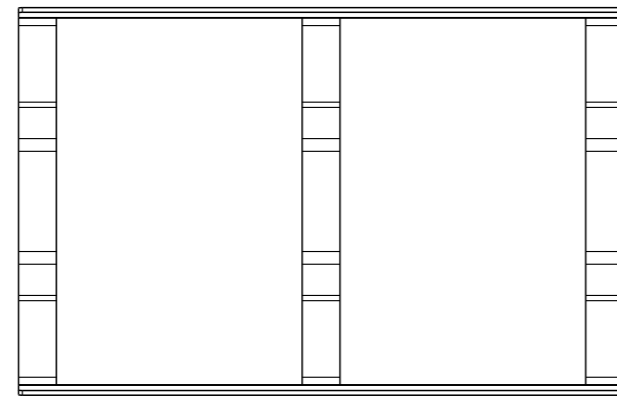
Copyright FCI.

spec ref	-	dr	Andy Zhang	2010/11/03	projection	mm	size	A3	scale	2:1				
tolerance std	ASME Y14.5	eng	Art Lin	2015/05/22			ecn no	ELX-DG-20151-1						
	TOLERANCES UNLESS OTHERWISE SPECIFIED	chr	-					rel level	Released					
surface	✓	appr	Pei-Ming Zheng	2015/05/24	product family	QSFP	rel level	Released						
	ASME Y14.5	linear	0.X	±0.20		QSFP HEATSINK CLIP QSFP CAGE ASSEMBLY	dwg no	10099116		rev	B			
			0.XX	±0.10				www.fci.com	cat. no.			-	Product - Customer Drw	sheet 1 of 2
		angular	0°	±°										

PART NUMBER  
10099116-002LF



SCALE 3:1



THE OTHER DIMENSIONS ARE SAME TO 10099116-001LF

spec ref	-			dr	Andy Zhang	2010/11/03	projection	mm	size	A3	scale	2:1
tolerance std	ASME Y14.5			eng	Art Lin	2015/05/22			ecn no		ELX-DG-20151-1	
TOLERANCES UNLESS OTHERWISE SPECIFIED			chr	-	-	rel level			Released			
surface		linear	0.X ±0.20	appr	Pei-Ming Zheng	2015/05/24	product family		QSFP		rel level	Released
ASME Y14.5		angular	0° ±°			title QSFP HEATSINK CLIP QSFP CAGE ASSEMBLY		dwg no 10099116		rev B		
www.fci.com				cat. no.		-	Product - Customer Drw			sheet 2 of 2		



Copyright FCI.