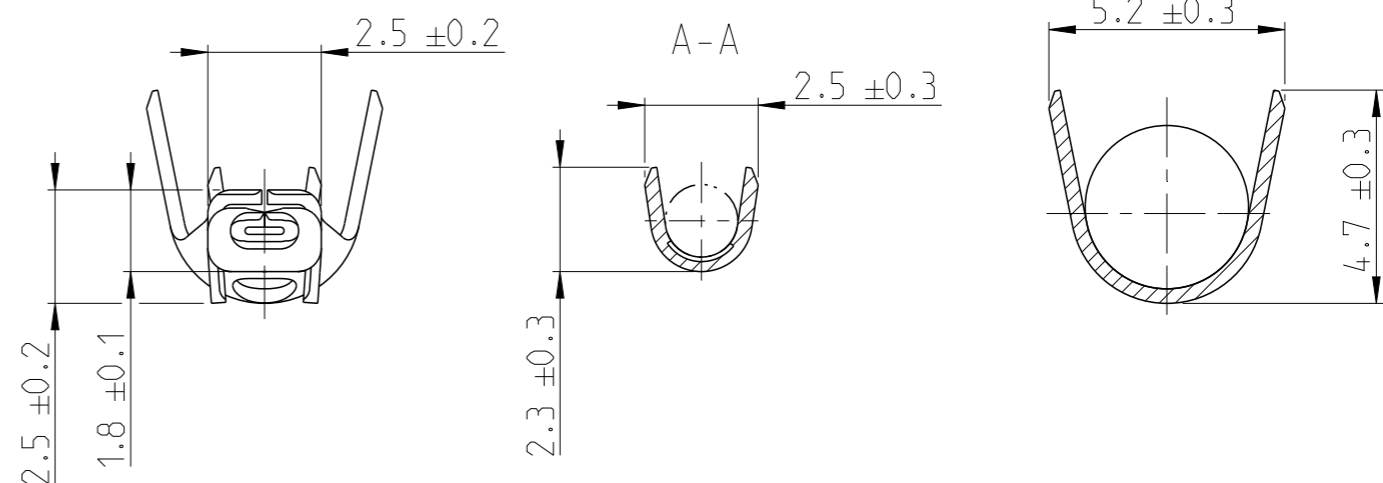
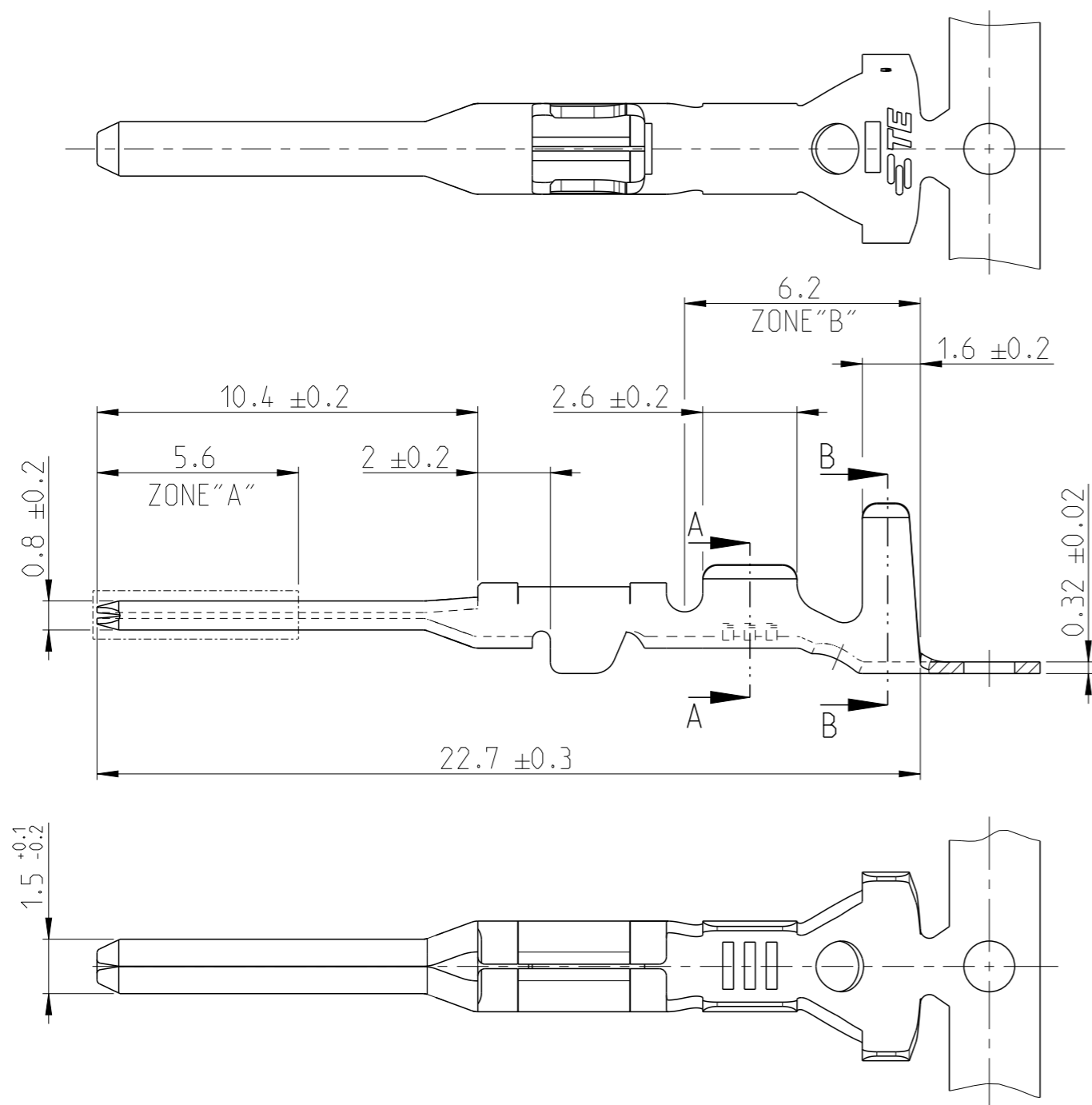


REVISIONS

P	LTR	DESCRIPTION	DATE	DWN	APVD
A1		REVISED PER ECO-11-005033	02APR2011	RK	HMR
A2		REDRAW IN TO CREO	14APR2017	GH	JP

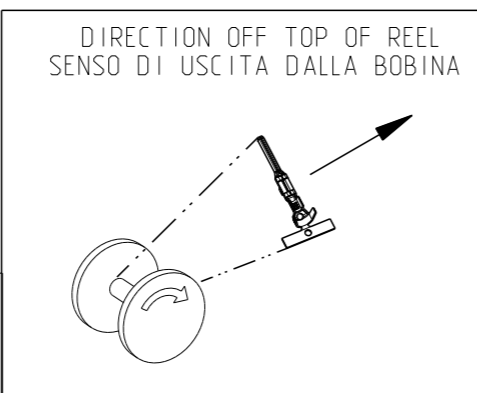


1 GOLD PLATED 0.8µm OVER "ZONE A". TIN PLATED OVER "ZONE B" AND NICKEL UNDERPLATING ALL OVER. DORATURA 0.8µm NELLA "ZONA A". STAGNATURA NELLA "ZONA B" E NICHELATURA SU TUTTO IL CONTATTO.

2 SUITABLE FOR SINGLE WIRE SEAL TE P/N 281934-4 ADATTO PER GOMMINO PASSACAVO TE P/N 281934-4

A2 3 ITEM IS SUPPLIED REELED ON CARTON REEL WITH STRIP PITCH = 11.9±0.1mm STATO DI FORNITURA: AVVOLTI SU BOBINA CON PASSO TRA TERMINALI DI = 11.9±0.1mm

INS. DIA. RANGE (DIAM. ISOLANTE)	WIRE RANGE (RANGO FILO)
2	Ø0.35 -0.5mm ²



THIS DRAWING IS A CONTROLLED DOCUMENT.	
DIMENSIONS:	TOLERANCES UNLESS OTHERWISE SPECIFIED:
mm	0 PLC ±
	1 PLC ± ±
	2 PLC ± ± ±0.3
	3 PLC ± ±
	4 PLC ± ±
	ANGLES ±2°
MATERIAL	FINISH
-	-

DWN	C.BERTINI	JUN1992
CHK	A.BRUNI	JUN1992
APVD	-	-
PRODUCT SPEC	108-20090	
APPLICATION SPEC	114-20045	
WEIGHT	-	
CUSTOMER DRAWING		

GOLD PLTD (DORATO) 1		BRASS (OTTONE)	282404-3	A
PRE-TIN (PRE STAGNATO)		BRASS (OTTONE)	282404-1	A
FINISH/COLOUR (FINITURA/COLORE)		MATERIAL (MATERIALE)	TE PART NO. (NUMERO)	REV
STE TE Connectivity				
NAME: MINI MIC SRS TAB CONTACT				
SIZE	CAGE CODE	DRAWING NO	RESTRICTED TO	
A3	00779	C=282404	-	
SCALE 5:1			SHEET 1 OF 1	REV A2