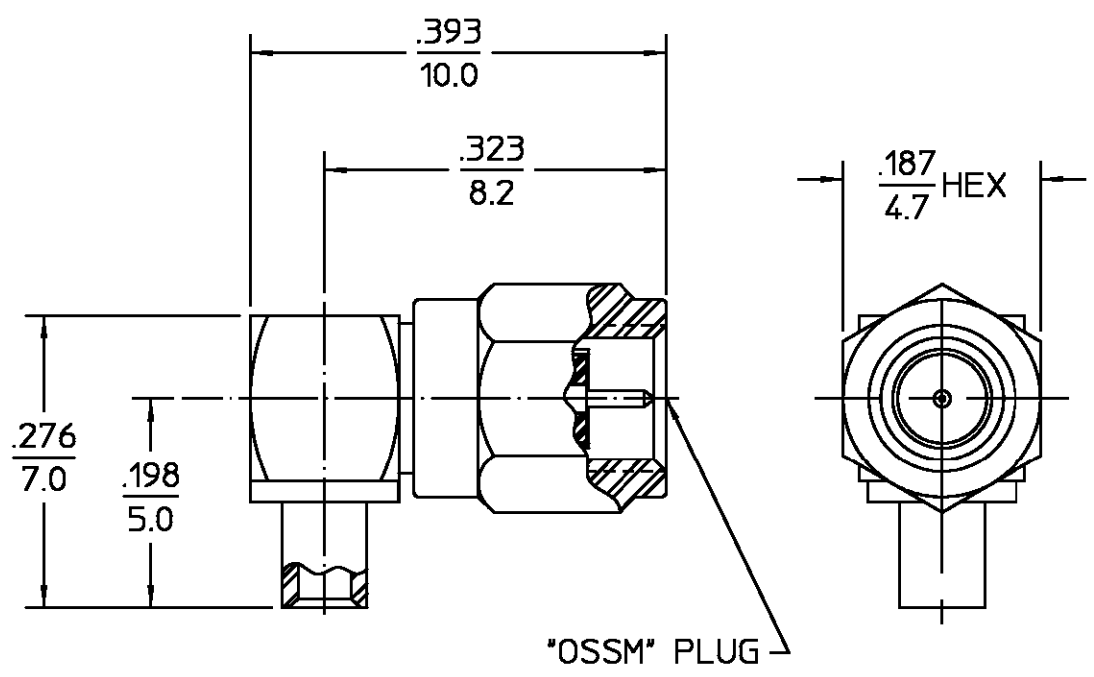


DESIGNED FOR USE WITH .047 SEMI RIGID CABLE	REVISIONS		
CABLE ENTRY DIAMETER MINIMUM	REV	DESCRIPTION	DATE
HOUSING .050	02 ₂	REVISED	7/12/70 T. Nag R. C.



.XXX = in
XX.X = mm (REF)

HOUSING NUT REAR HOUSING COUPLING NUT CAP	STAINLESS STEEL PER ASTM-A484 AND ASTM- A582, TYPE 303	GOLD PLATE PER MIL-G-45204
DIELECTRIC	TFE FLUOROCARBON PER ASTM-D-1457	N/A
CENTER CONTACT	BERYLLIUM COPPER PER ASTM-B-196 OR ASTM-B-197, ALLOY C17300, CONDITION H	GOLD PLATE PER MIL-G-45204
RETAINING RING	BERYLLIUM COPPER PER ASTM-B-194, ALLOY C17200, CONDITION H	N/A
GASKET	SILICONE RUBBER PER ZZ-R-765	N/A

COMPONENT	MATERIAL	FINISH
-----------	----------	--------

UNLESS OTHERWISE SPECIFIED DIMENSIONS ARE IN INCHES	DRAWN BY RMK	DATE 11/10/70	AMP Incorporated 140 Fourth Avenue Waltham, MA 02451-7599
	CHECKED BY P.R.B.	11/11/70	
	APPD BY B.W.C.	11/11/70	

NOTES:
1. CAPTURED CENTER CONTACT

These drawings and specifications are the property of M/A COM Interconnect Div. and shall not be reproduced or copied or used in whole or in part as the basis for the manufacture or sale of item(s) without written permission.	USE ASSY PROCEDURE	TITLE OSMM RIGHT ANGLE CABLE PLUG DIRECT SOLDER ATTACHMENT		
	NO. A.P. 40-004 408-08252	SIZE B	CODE IDENT NO. 26805	4007-7947-00 REV 02 ₂
		SCALE 6:1	SHEET 1 OF 1	