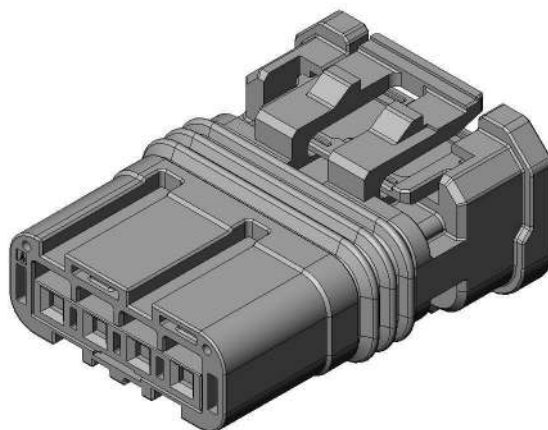


MX80A04SZ1A

Product Details



Features

In-line Connector for Automotive Applications, USCAR-2 and LV214, ISO/JASO/EWCAP/VDA standard 0.64 mm tab size Terminal Position Assurance (TPA) on pin, IPX7 Waterproof, 4 pos., Socket connector

Part Number	MX80A04SZ1A
Status	Active
Number of Positions	4 pos.
Contact Pitch	2.54 mm
Rated Current (Ambient temperature: 80°C)	0.13mm ² : 3.6A 0.35mm ² : 5.8A 1.0mm ² : 9.5A
Waterproof/ Non-waterproof	Waterproof
Applications	Automotive applications such as side view mirrors, number-plate light, and other applications requiring water-resistance.
Connector Type	Socket connector
Number of Rows	1 row
Contact Type	Socket (Contacts are sold separately)

Tab Size	0.64 mm
Material of Insulator	PBT-GF10
Material of Contact	-
Hand Crimping Tool	
RoHS compliant	10 substances (2011/65/EU, (EU)2015/863)
REACH compliant	
Combination	MX80B04PZ1A
Remarks	

Notice

1. The values specified in this web site are only for reference. The products and their specifications are subject to change without notice. Contact our sales staff for further information before considering or ordering any of our products.
For purchase, a product specification must be agreed upon.
2. Please contact us if you are considering use involving a quality assurance program that you specify or that is peculiar to the industry. Also contact us regarding the details of use, usage, specification before considering or ordering any of our products.
3. Users are requested to provide protection circuits and redundancy circuits to ensure safety of the equipment, and sufficiently review the suitability of JAE's products to the equipment.