

Cat.6 U/UTP 24AWG Patch Cord



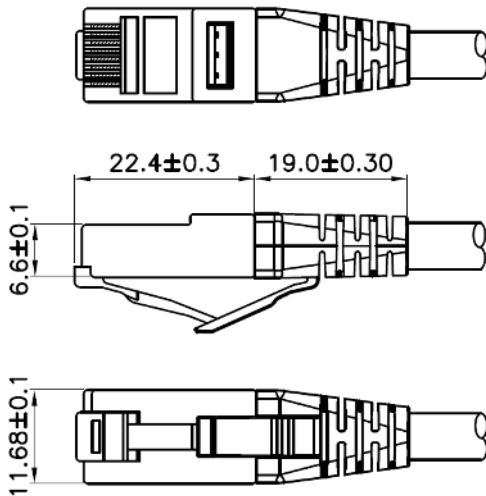
Features

- Small od and flexible cable and extreme performance design for Hyper-Scale and Edge Data Center
- Compliant with the ISO/IEC11801-1 class E and ANSI/TIA 568.2-D Cat.6 channel performance
- Power over HDBaseT™ (PoH) applications up to 100 W

Standard Compliance

- ANSI/TIA-568.2-D
- ISO/IEC 11801-1, Class E
- IEC 60603-7
- IEC 60512-99-002
- IEEE 802.3bt type 4 PoE++(4PPoE) 100 W
- ANSI/TIA-1096-A (formerly FCC Part 68)
- UL444 (for UL CM PVC jacket material only)
- IEC 61935-2
- IEC 61034-2 Smoke (for LSZH material only)
- IEC 60754-2 Halogen / Acid (for LSZH material only)
- RoHS /REACH compliant

Dimensions (mm)



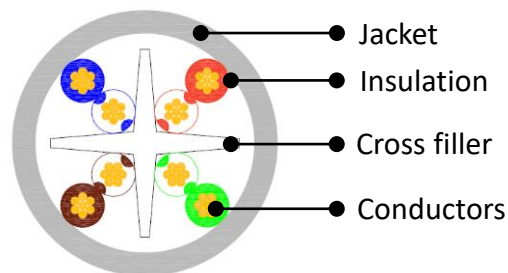
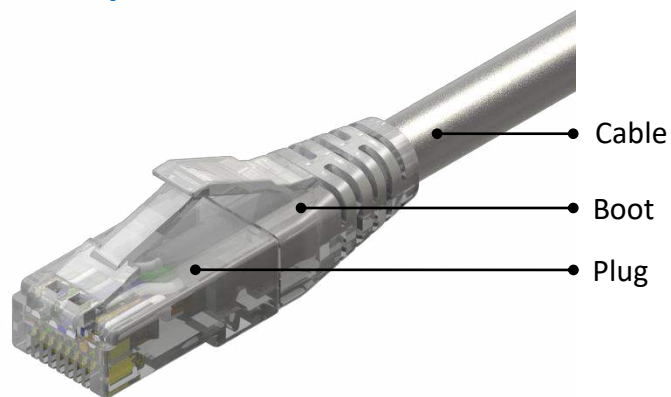
Length Information, at 20 °C

- **Length Available :**
2-connector Channel: 0.3m to 20m

• 2-connector Channel Length Information:

| Cord A | Perm. Link | Cord B | Performance |
|--------|------------|--------|-----------------|
| 9m | 90m | 1m | Channel & 4PPoE |

Cat.6 U/UTP 24AWG Patch Cord



Specifications

Patch cord (IEC 61935-2, Patch Cord Reliability)

| | |
|--------------------------|---|
| • Life (mating cycles) | Min. 750 cycles |
| • Pulling tension | 50N for 60 s |
| • Strain relief | 50N for 60 s in all direction |
| • Flexing | 2N for 500 cycles, 20cycles per 60 s |
| • Bend radius | Min. 47.2mm, 8x of cable O.D. |
| • Insulation resistance | ≥ 500 MΩ at 100 Vdc, for 60 s |
| • Voltage proof | Contact to contact 1000 Vdc, for 60 s |
| • Installing temperature | 0°C to 50°C (32°F to 122°F) |
| • Storage temperature | -40°C to 70°C (-40°F to 158°F), under static conditions |
| • Operating temperature | -10°C to 60°C (14°F to 140°F), under static conditions |

Cable

| | |
|---------------------------|--|
| • Conductors | Bare copper, 24AWG, 7 x 0.192±0.005mm |
| • Insulation | HDPE, O.D. 0.98±0.02mm |
| • Jacket | 0.5mm(nominal) thickness, O.D. 5.9±0.2mm |
| • Cross filler(separator) | PE |

Printing on the cable

| | |
|----------|--|
| • LSZH | U/UTP PATCH CABLE 24AWG 4PR LSZH ETL VERIFIED ISO/IEC 11801 CLASS E & ANSI/TIA-568.2-D CAT.6 XXXXXX-X |
| • CM PVC | U/UTP PATCH CABLE 24AWG 4PR E178558 C(UL)US TYPE CM 75°C ETL VERIFIED ISO/IEC 11801 CLASS EA & ANSI/TIA-568.2-D CAT.6 XXXXXX-X |

Plug

| | |
|-----------------------|--|
| • Conductors | Phosphor bronze, min. 0.3mm thickness |
| • Gold plating | 50 micro-inch gold plating over 50 micro-inch nickel plating on contact area |
| • Housing | 1 row type, polycarbonate, UL94 rated, transparent color |
| • Load bar | 1 row type, polycarbonate, UL94 rated, transparent color |
| • Contact resistances | ≤ 20mΩ |

Boot

| | |
|--------|--|
| • Boot | Polycarbonate, UL94 rated, transparent color |
|--------|--|