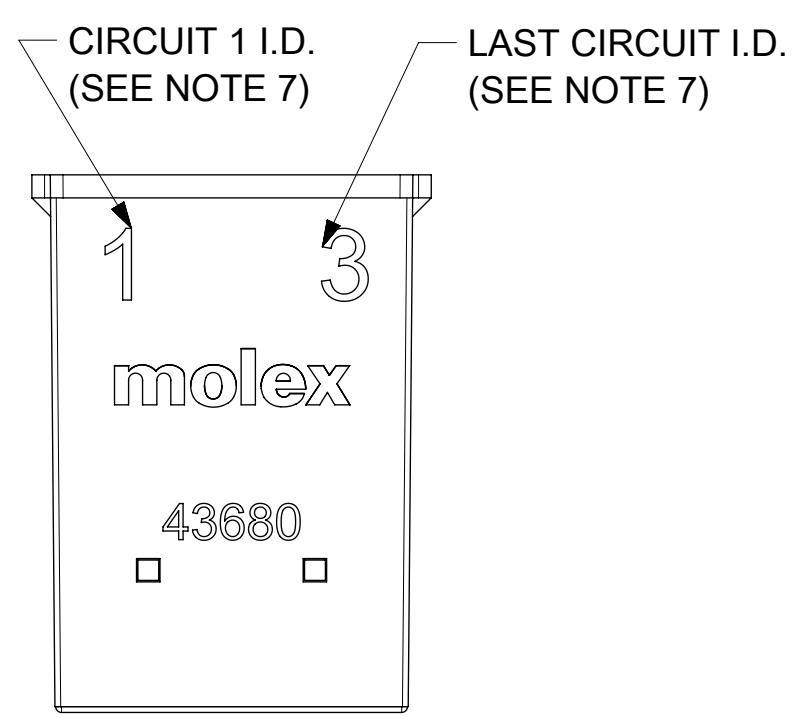
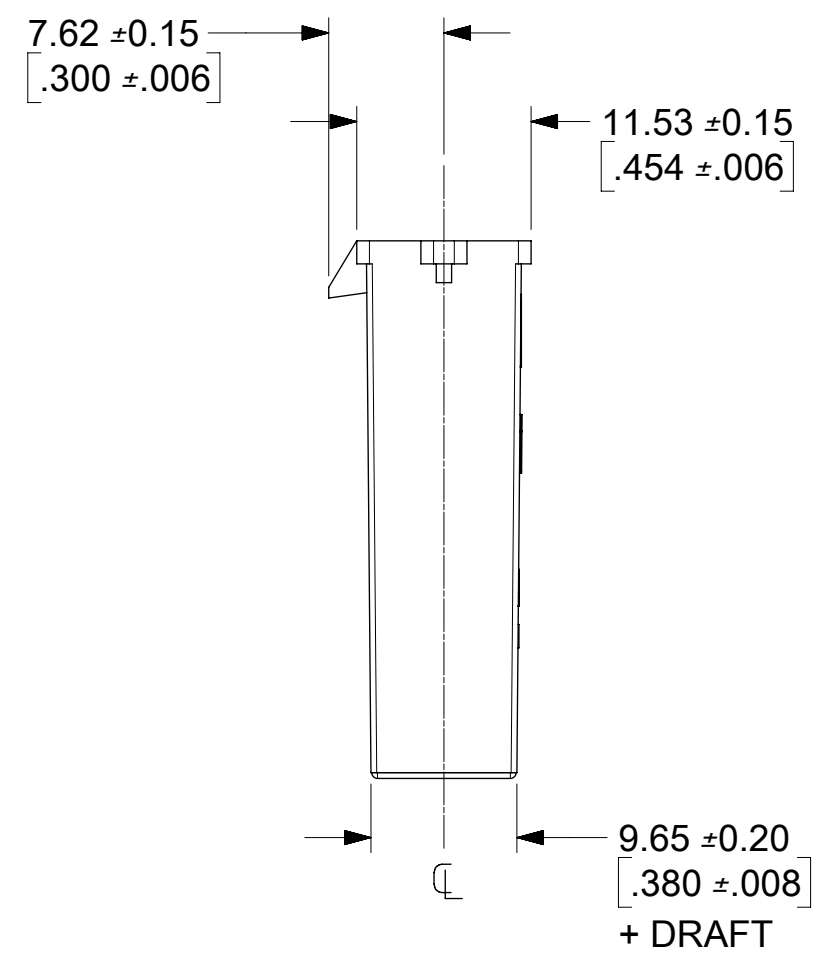
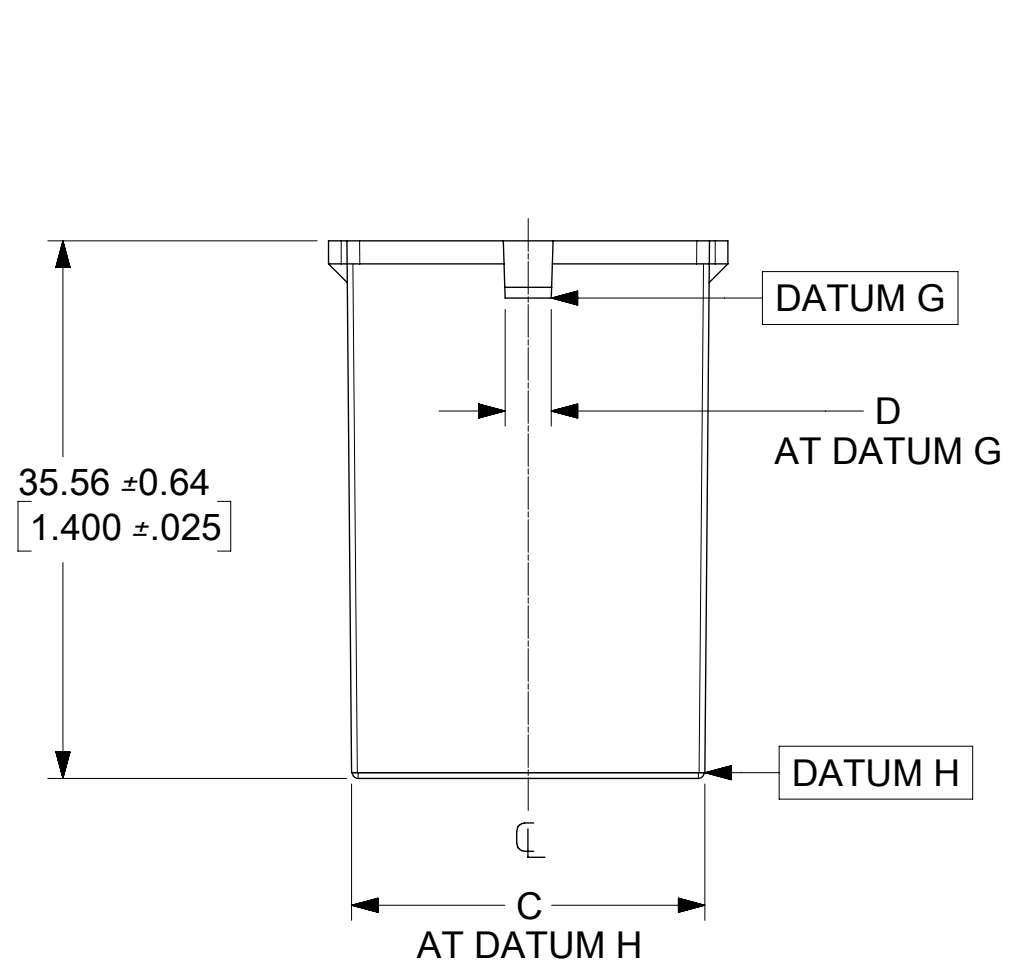
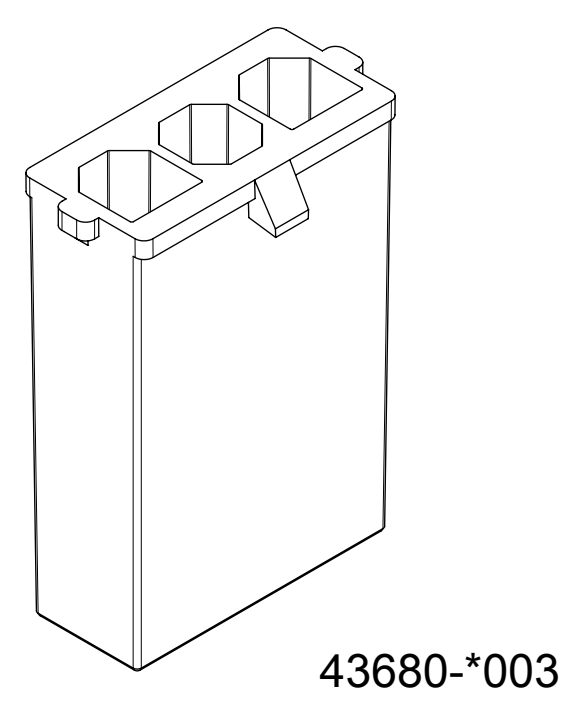
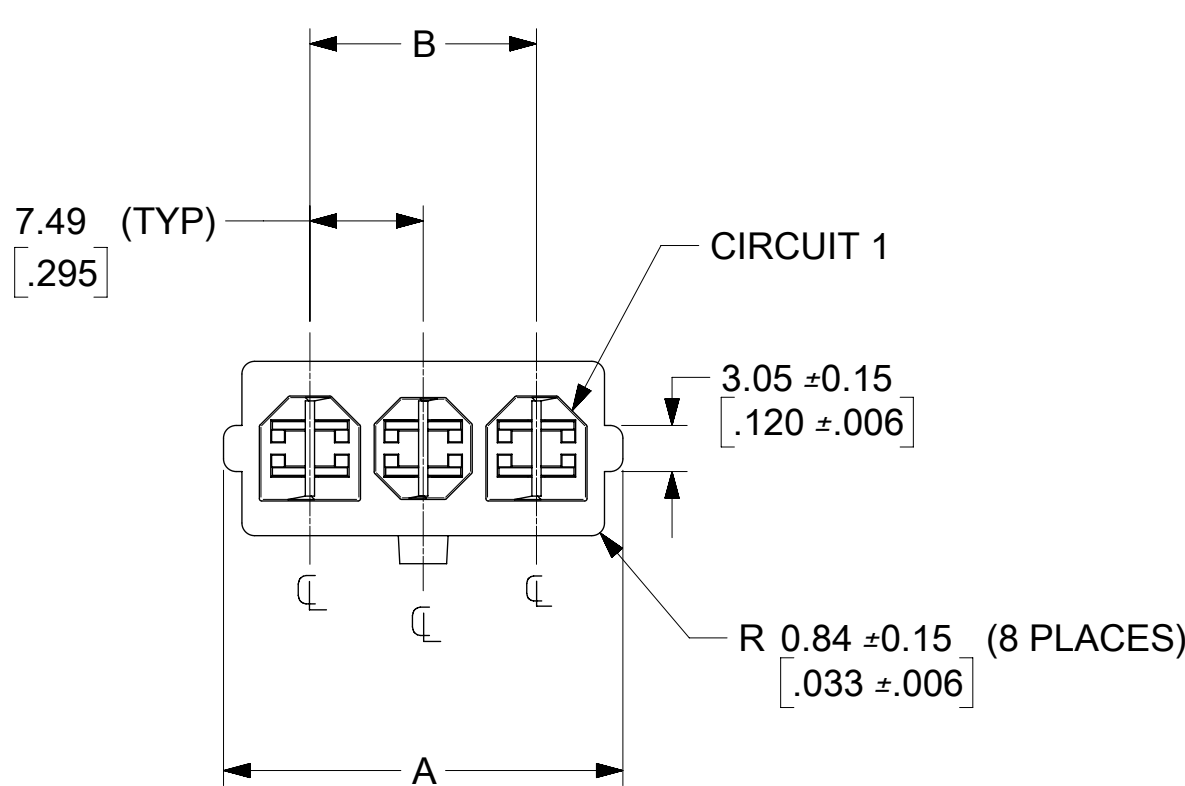
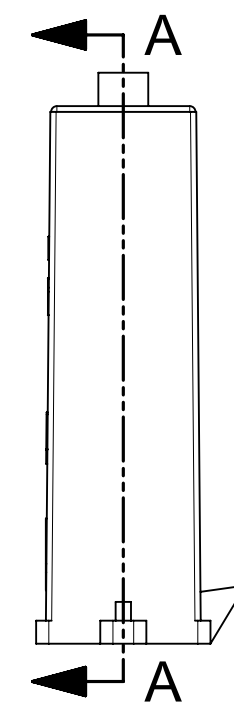
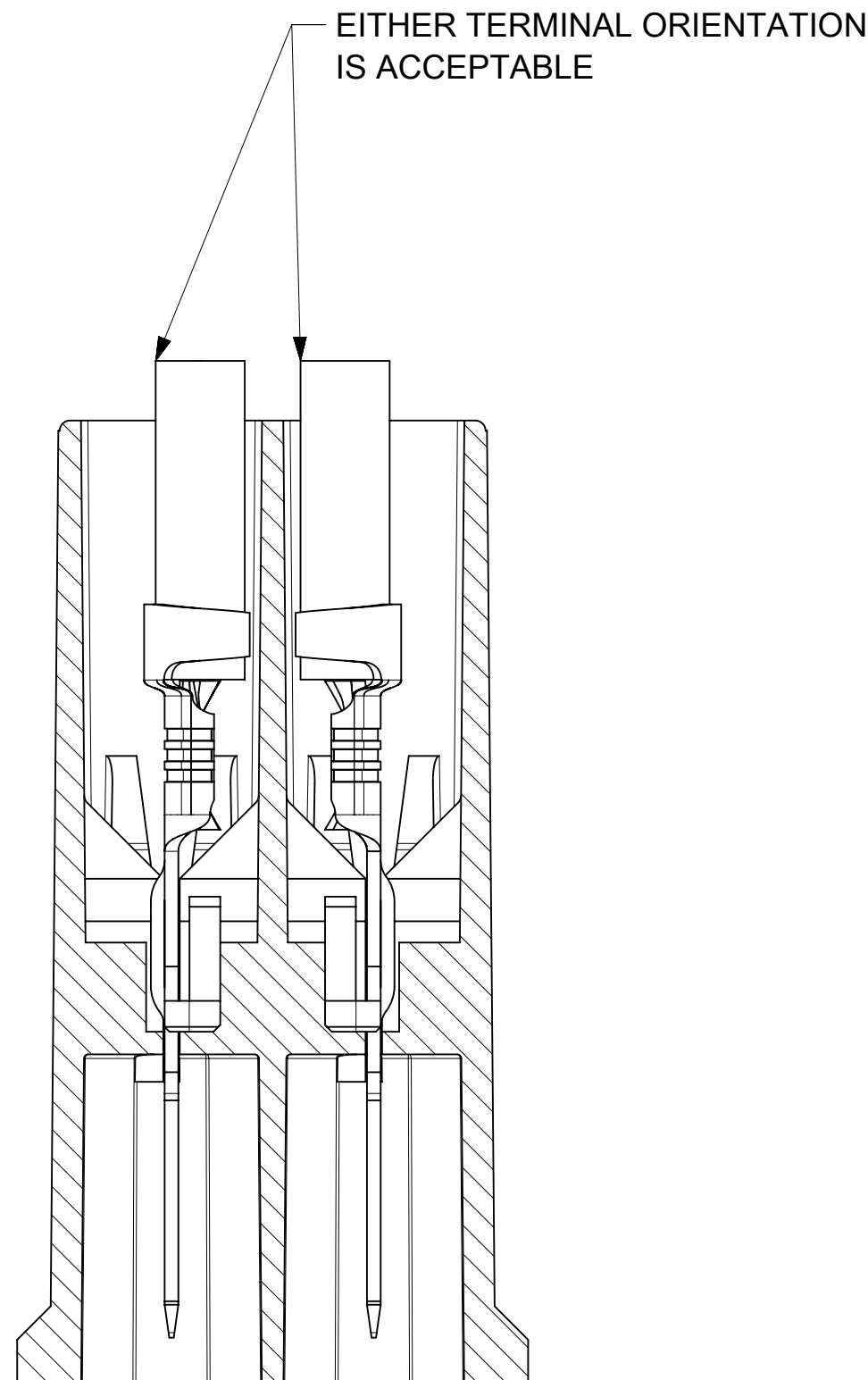
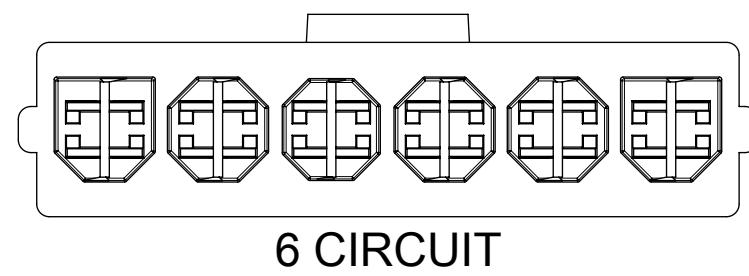
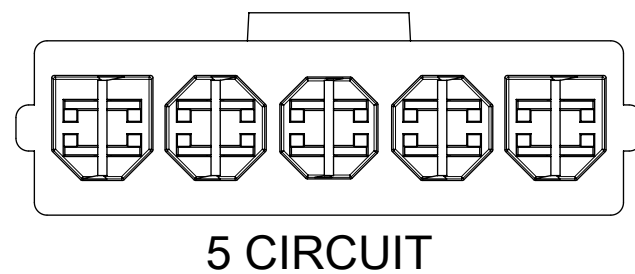
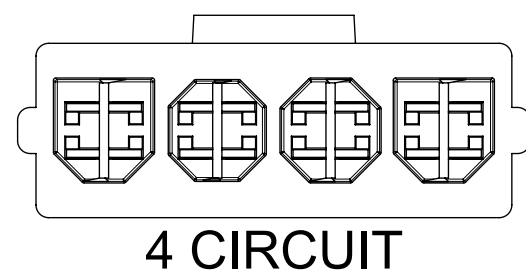
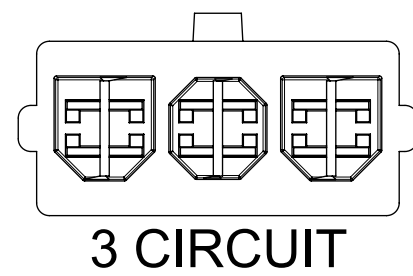
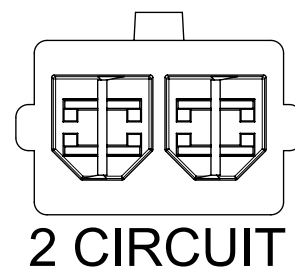


CIRCUITS	DIM. A	DIM. B	DIM. C	DIM D
2	18.92 ±0.25 .745 ±.010	7.49 ±0.15 .295 ±.006	15.88 ±0.15 .625 ±.006	.120 3.05
3	26.42 ±0.25 1.040 ±.010	14.99 ±0.15 .590 ±.006	23.37 ±0.15 .920 ±.006	
4	33.91 ±0.38 1.335 ±.015	22.48 ±0.25 .885 ±.010	30.86 ±0.15 1.215 ±.006	
5	41.40 ±0.51 1.630 ±.020	29.97 ±0.38 1.180 ±.015	38.35 ±0.18 1.510 ±.007	.415 ±.007 10.54 ±0.18
6	48.90 ±0.64 1.925 ±.025	37.46 ±0.38 1.475 ±.015	45.85 ±0.64 1.805 ±.025	



- NOTES:**
- MATERIAL:**  
 A= PA66, UL94V-2, COLOR: NATURAL (TRANSLUCENT)  
 B= PA66, UL94V-0, COLOR: BLACK  
 C= PA, UL94V-2, IEC 60335-1 GLOW WIRE CAPABLE, COLOR: BLACK
  - FINISH:** NONE
  - PRODUCT SPECIFICATION:** PS-44441-9999
  - PACKAGING INFORMATION:** PK-43680-001
  - THIS CONNECTOR HOUSING IS FOR USE WITH 43178-\*\*\*\* TERMINALS.**
  - THIS CONNECTOR HOUSING WILL MATE TO 43335-\*\*\*\*, 43179-\*\*\*\*, AND 44441-\*\*\*\* HOUSINGS.**
  - TEXT ON PART IS FOR REFERENCE ONLY. TEXT AND TEXT LOCATION MAY VARY DEPENDING ON PART NUMBER AND/OR TOOL. LAST CIRCUIT ID NOT PRESENT ON 2 CIRCUIT PARTS.**
  - PARTS CONFORM TO CLASS B REQUIREMENTS OF COSMETIC SPEC PS-45499-002 EXCEPT MATERIAL C PARTS MEET CLASS C REQUIREMENTS FOR FLASH, DISCOLORATION, AND SINK. SOME PARTS MAY HAVE A BLEMISH NEAR THE GATE THAT DOES NOT AFFECT FUNCTIONALITY.**
  - THIS DRAWING REPLACES 436800002 THROUGH 436800006.**

THIS DRAWING CONTAINS INFORMATION THAT IS PROPRIETARY TO MOLEX ELECTRONIC TECHNOLOGIES, LLC AND SHOULD NOT BE USED WITHOUT WRITTEN PERMISSION									
SYMBOLS		DIMENSION UNITS		SCALE		CURRENT REV / DESC: UPDATE VIEWS			
▽ = 0		MM/IN		2:1		<b>molex</b> SABRE TPA PLUG HOUSING 3.18 (.125) X 1.51 (.020) PRODUCT CUSTOMER DRAWING DOCUMENT NUMBER: 436800000-SD DOC TYPE: PSD DOC PART: 000 REVISION: A1 MATERIAL NUMBER: SEE CHART CUSTOMER: GENERAL MARKET SHEET NUMBER: 1 OF 2			
▽ = 0		GENERAL TOLERANCES (UNLESS SPECIFIED)							
▽ = 0		MM		INCH					
S = 0		4 PLACES ±		±					
▽ = 0		3 PLACES ±		± 0.01					
▽ = 0		2 PLACES ±		± 0.25 ± 0.014					
▽ = 0		1 PLACE ±		± 0.36 ±					
X = 0		0 PLACES ±		±		EC NO: 173976 DRWN: MKIPPER 2017/11/30 CHK'D: JBELL 2018/03/22 APPR: FSMITH 2018/04/04 INITIAL REVISION: DRWN: MKIPPER 2017/10/06 APPR: FSMITH 2017/10/27			
■ = 0		ANGULAR TOL ± °		THIRD ANGLE PROJECTION		DRAWING		SERIES	
▽ = 0		DRAFT WHERE APPLICABLE MUST REMAIN WITHIN DIMENSIONS				C-SIZE		43680	



SABRE 43680 SERIES			
ITEM NUMBER	CIRCUITS	MATERIAL	COLOR
43680-2002	2	B	BLACK
43680-1002		A	NATURAL (TRANSLUCENT)
43680-3002		C	BLACK
43680-2003	3	B	BLACK
43680-1003		A	NATURAL (TRANSLUCENT)
43680-3003		C	BLACK
43680-2004	4	B	BLACK
43680-1004		A	NATURAL (TRANSLUCENT)
43680-3004		C	BLACK
43680-2005	5	B	BLACK
43680-1005		A	NATURAL (TRANSLUCENT)
43680-3005		C	BLACK
43680-2006	6	B	BLACK
43680-1006		A	NATURAL (TRANSLUCENT)
43680-3006		C	BLACK

# POLARIZATION LAYOUT

<b>SYMBOLS</b> DIMENSION UNITS: MM/IN SCALE: 2:1 GENERAL TOLERANCES (UNLESS SPECIFIED): 4 PLACES: ± 0.25 ± 0.014 3 PLACES: ± 0.25 ± 0.014 2 PLACES: ± 0.25 ± 0.014 1 PLACE: ± 0.36 ± 0.014 0 PLACES: ± 0.36 ± 0.014 ANGULAR TOL: ± ° DRAFT WHERE APPLICABLE MUST REMAIN WITHIN DIMENSIONS	THIS DRAWING CONTAINS INFORMATION THAT IS PROPRIETARY TO MOLEX ELECTRONIC TECHNOLOGIES, LLC AND SHOULD NOT BE USED WITHOUT WRITTEN PERMISSION CURRENT REV DESC: UPDATE VIEWS		
	EC NO: 173976 DRWN: MKIPPER 2017/11/30 CHK'D: JBELL 2018/03/22 APPR: FSMITH 2018/04/04		
INITIAL REVISION: DRWN: MKIPPER 2017/10/06 APPR: FSMITH 2017/10/27			PRODUCT CUSTOMER DRAWING DOCUMENT NUMBER: 436800000-SD DOC TYPE: PSD DOC PART: 000 REVISION: A1
THIRD ANGLE PROJECTION 		DRAWING: C-SIZE SERIES: 43680	MATERIAL NUMBER: SEE CHART CUSTOMER: GENERAL MARKET SHEET NUMBER: 2 OF 2