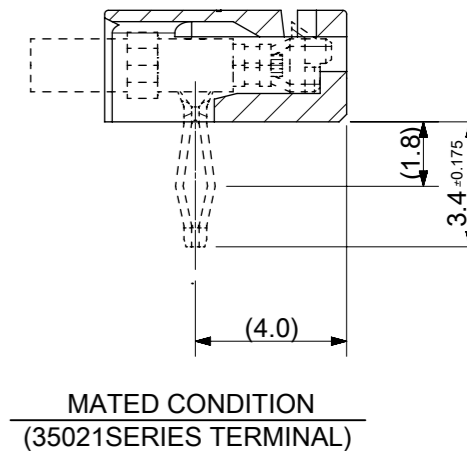
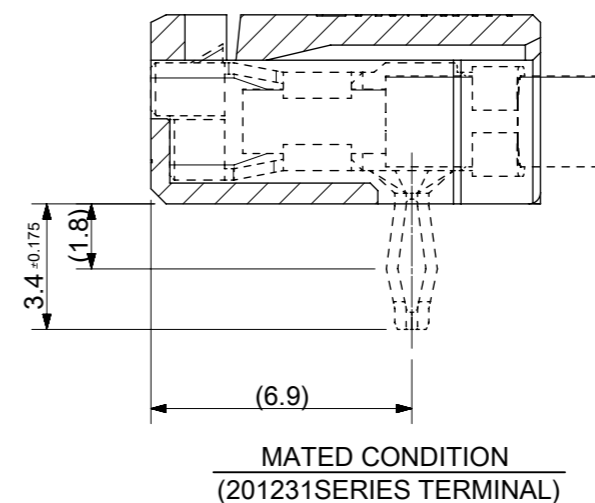
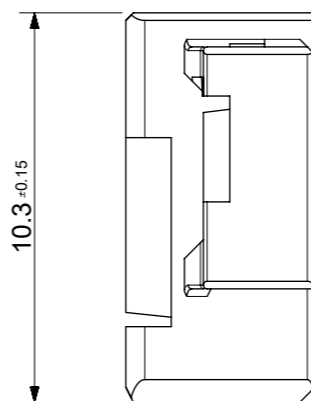
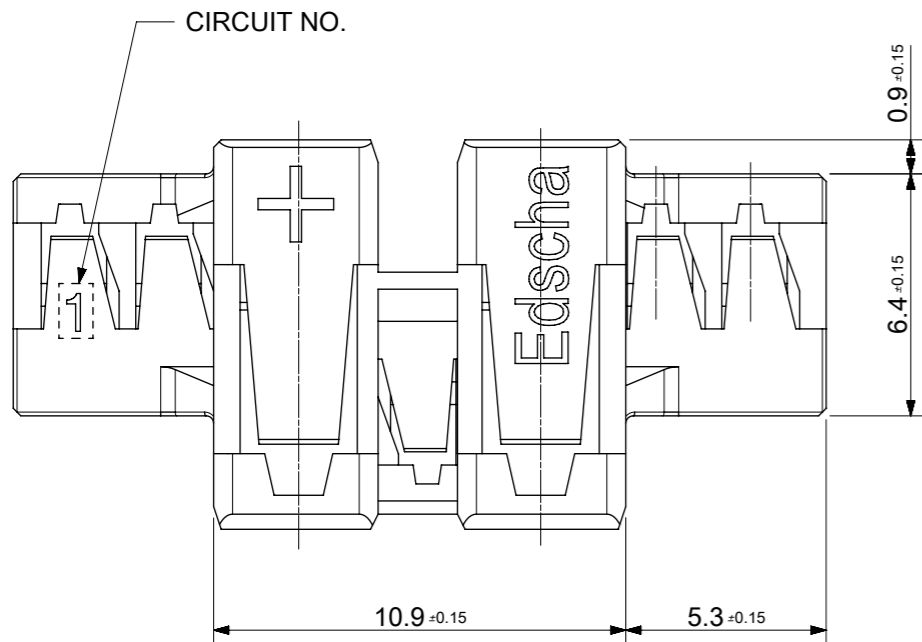


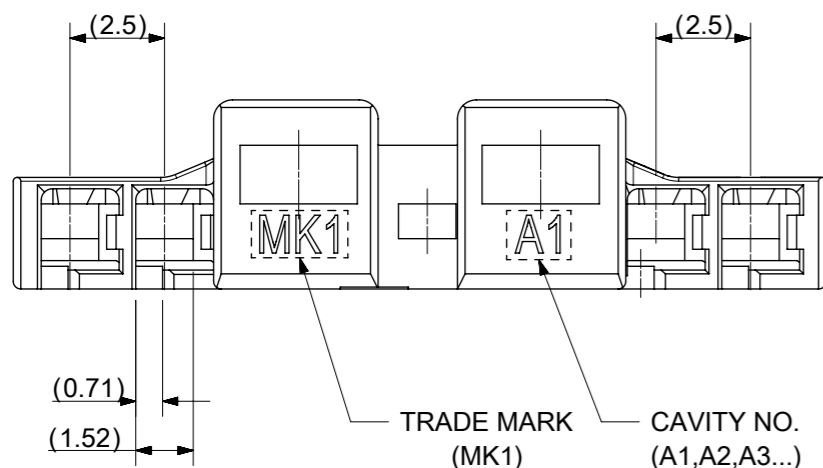
RECOMMENDED PCB LAYOUT
[GENERAL TOLERANCE ±0.05]



MATED CONDITION
(201231SERIES TERMINAL)

MATED CONDITION
(35021SERIES TERMINAL)

- NOTES.
- MATERIALS
POLYAMIDE66, UL94V-0
COLOR : IVORY
 - NESTKENNZEICHNUNG
 - APPLICABLE TERMINAL
- 35021-1001/1160 (1,2,4,6,7 CIRCUIT)
- 201231-8003 (3,5 CIRCUIT)
 - GENERAL FLASH : 0.15mm MAX.



QUALITY SYMBOLS		THIS DRAWING CONTAINS INFORMATION THAT IS PROPRIETARY TO MOLEX ELECTRONIC TECHNOLOGIES, LLC AND SHOULD NOT BE USED WITHOUT WRITTEN PERMISSION									
▽A	= 0	EC NO: 107964 DRWN: JSSHIN CHK'D: SHCHU APPR: YSKIM02	GENERAL TOLERANCES (UNLESS SPECIFIED)		DIMENSION UNITS	SCALE					
▽E	= 0		ANGULAR TOL ± °		MM	5:1					
▽F	= 0		4 PLACES ±	DRWN BY	DATE	SCHONG03					2017/01/17
▽	= 0		3 PLACES ±	CHK'D BY	DATE	SHCHU					2017/01/24
▽C	= 0		2 PLACES ±	APPR BY	DATE	YSKIM02	2017/01/31				
▽	= 0		1 PLACE ±	DRAWING SIZE	THIRD ANGLE PROJECTION	A3					
▽	= 0	0 PLACES ±	DRAFT WHERE APPLICABLE MUST REMAIN WITHIN DIMENSIONS				PRODUCT CUSTOMER DRAWING SERIES: 201231 MATERIAL NUMBER: 2012310700 CUSTOMER: GENERAL				
▽	= 0	A1				DOCUMENT NUMBER: 2012310700		DOC TYPE: PSD	DOC PART: 000	SHEET NUMBER: 1 OF 1	