

Ratings

Temperature: -40 ~ 70 °C
Voltage: 150 V

Conductor

Gauge: 32 AWG 0.04 mm²
Material: tinned copper strands
Strand size: $\varnothing 0.05 \times 19$
Resistance at 20 °C: 590 Ω /km max

Insulator

Material: HDPE
Color: orange, green, blue, yellow, white, black, red
Diameter: $\varnothing 0.55 \pm 0.10$ mm
Nominal thickness: 0.15 mm
Resistance at 20 °C: 1000 M Ω /km min

Shield

Type: spiral
Material: tinned copper strands
Stranding: $\varnothing 0.08$ mm
Coverage: 90% min

Outer jacket

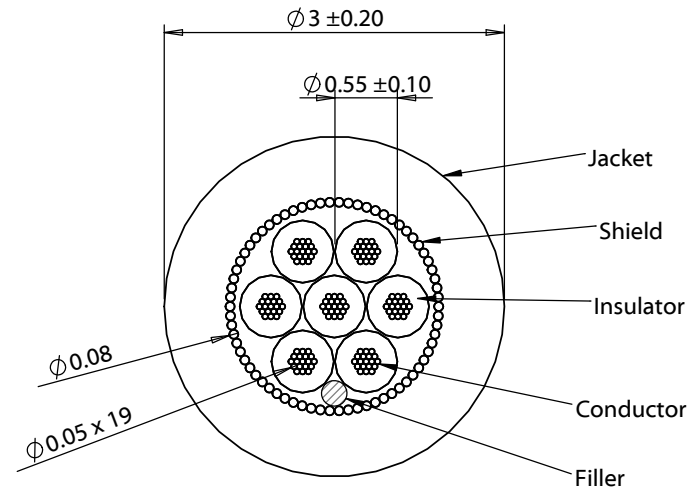
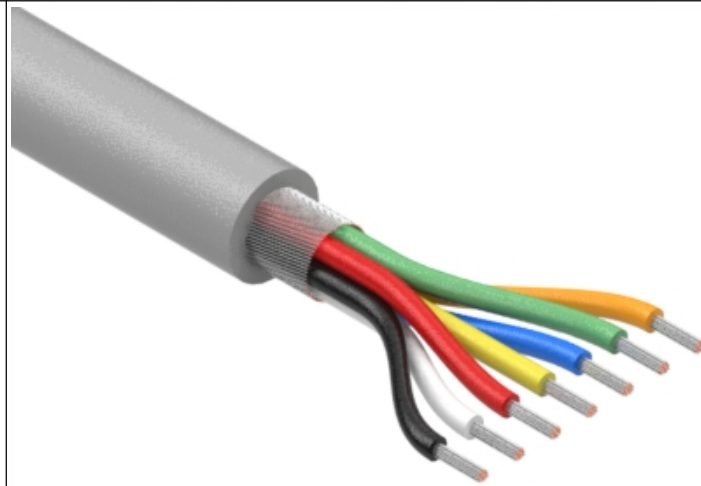
Material: TPU
Color: gray (Cool Gray 9C)
Nominal thickness: 0.50 mm
Diameter: $\varnothing 3 \pm 0.20$ mm

Filler:

Material: aramid fiber

Tests

Tensile strength: 25.5 kgf
Dielectric test: 1500 V dc for 1 minute without breakdown
Bend test at 200 g, $\pm 90^\circ$, 30 cycles /min: 10,000 cycle minimum



Revision:	Date:	Description:
A	10/10/2018	Initial release
A1	1/18/2019	Changed filler material to generic name

Prepared: PS <small>Digitally signed by PS Date: 2019.07.03 15:48:19 +07'00'</small>
Verified: GL <small>Digitally signed by GL Date: 2019.07.03 16:44:34 -07'00'</small>
Dimensions are in millimeters. Tolerances: X: ± 0.5 mm X.X: ± 0.3 mm X.XX: ± 0.05 mm

Notes: RoHS compliant Jacket meets ISO 10993 Biological Compatibility Phthalate and halogen free Function test: no open, no short, no intermittent
Description: Wire, 7C TS, 32 AWG, 150V, 70C, 3.0 mm, shielded, TPU, 75A, gray, WBL

TENSILITY	
tel 1.541.323.3228	800 877.670.7118
fax 1.541.323.4202	web tensility.com
Size: A	Part number: 30-01164
Scale: 15:1	Sheet 1 of 1