



Fiber Optic Products

RoHS
Ready 



Introduction

TE Connectivity is a globally recognized preeminent supplier of fiber optic connectors and interconnection devices. We offer an extensive variety of optical connectors, cable assemblies, fiber management systems,

and optoelectronic active and passive components — connectivity solutions. With unparalleled, world-class technologies and high quality products, TE demonstrates its commitment to satisfying all types

of customers. Our sales service and support is available globally via an extensive network of TE sales engineers, field program managers, and applications engineers.

Disclaimer

While TE has made every reasonable effort to ensure the accuracy of the information in this catalog, TE does not guarantee that it is error-free, nor does TE make any other representation, warranty or guarantee that the information is accurate, correct, reliable or current. TE reserves the right to make any adjustments to the information contained herein at any time without notice. TE expressly disclaims all implied warranties regarding the information contained herein, including, but not limited to, any implied warranties of merchantability or fitness for a particular purpose. The dimensions in this catalog are for reference purposes only and are subject to change without notice. Specifications are subject to change without notice. Consult TE for the latest dimensions and design specifications.

© 2012, 2010, 2007, 2006 and 2004 Tyco Electronics Corporation. All Rights Reserved.

AMP, AMP NETCONNECT, AMPTRAC, ARMOR-LIGHT, CORELINK, DUALAN, FIBRBOSS, FIST, FOSS, FSD, LC SECURE, LIGHTCRIMP, LIGHTCRIMP PLUS, LIGHTRAY, LIGHTRAY MPX, LIGHTRAY OFX, MPO SECURE, MT-RJ SECURE, NETCONNECT, PARALIGHT, PARA-OPTIX, PRO BEAM, PRO-CRIMPER, TE Connectivity and the TE connectivity (logo) are trademarks of the TE Connectivity Ltd. family of companies.

Other logos, product and Company names mentioned herein may be trademarks of their respective owners.

Additional Fiber Optic products available through TE:

Rugged Fiber Optic products can be found in **Catalog 1308940** (Connectors for Aerospace, Defense and Marine)

Netconnect Fiber Optic products can be found in **Catalog 82164** (AMP Netconnect Product Catalog)

Restriction on the use of Hazardous Substances (RoHS)

At TE, we're ready to support your RoHS requirements. We've assessed more than 1.5 million end items/components for RoHS compliance, and issued new part numbers where any change was required to eliminate the restricted materials. Part numbers in this catalog are identified as:

RoHS Compliant — Part numbers in this catalog are RoHS Compliant, unless marked otherwise. These products comply with European Union Directive 2002/95/EC as amended 1 January 2006 that restricts the use of lead, mercury, cadmium, hexavalent chromium, PBB, and PBDE in certain electrical and electronic products sold into the EU as of 1 July 2006.

NOTE: For purposes of this Catalog, included within the definition of RoHS Compliant are products that are clearly "Out of Scope" of the RoHS Directive such as hand tools and other non-electrical accessories.

Non-RoHS Compliant — These part numbers are identified with a "◆" symbol. These products do not comply with the material restrictions of the European Union Directive 2002/95/EC.

NOTE: Information regarding RoHS compliance is provided based on reasonable inquiry of our suppliers and represents our current actual knowledge based on the information provided by our suppliers. This information is subject to change. For latest compliance status, refer to our website referenced at right.

Getting the Information You Need

Our comprehensive on-line RoHS Customer Support Center provides a forum to answer your questions and support your RoHS needs. A RoHS FAQ (Frequently Asked Questions) is available with links to more detailed information. You can also submit RoHS questions and receive a response within 24 hours during a normal work week. The Support Center also provides:

- Cross-Reference from Non-compliant to Compliant Products
- Ability to browse RoHS Compliant Products in our on-line catalog
- Downloadable Technical Data Customer Information Presentation
- More detailed information regarding the definitions used above
- So whatever your questions when it comes to RoHS, we have the answers at www.te.com/leadfree

RoHS
Customer
Support
Center 

WHAT'S NEW IN THIS ISSUE

PARALIGHT Active Optical Assemblies Pages 8-11



40Gb/s QDR QSFP+ Cable Assemblies

- 100 meters + length
- Functions like a standard electrical cable
- Low latency – 15.84pc + cable
- 1/3 size and 1/10 weight of copper assemblies



20Gb/s DDR QSFP and CX-4 Cable Assemblies

- Reach 150 meters and greater
- Available in QSFP, CX-4, and hybrid (QSFP-CX-4) configurations

Fiber to the Antenna Solutions Pages 71-96

- Designed for next generation WiMax and LTE Applications
- Robust designs for external antenna applications
- Broad range of solutions including traditional products and direct Tx mating solutions



ODVA Compliant Connector — Economic Robust Design

- All plastic
- IP-67 rated
- Rated for outdoor applications



ODC – Traditional Fiber to the Antenna Applications

- Robust all metal connector
- Significant product already deployed
- Available in Duplex or Quad



Direct Attach

- Mates directly through the box to the Tx
- Eliminates one cable assembly internal to the antenna box

10 Gigabit Products Pages 12-13



- Supports IEEE 802.3ae 10GBASE-SR and 10GBASE-LX4 to 300m
- Complies with OM-3 fiber specifications of 2nd edition ISO 11801
- Allows Gigabit Ethernet 1000BASE-SX to 1000m
- Supports 50/125um legacy LED and laser-based applications
- This section outlines all the parts needed for an end-to-end system with 10 Gigabit cable assemblies and connectors

MPO on Round Cable Page 14



- Flexible round outer jacket for easier installation and cable routing
- Same standards compliant performance
- Fiber counts up to 24 for standard MPO, and up to 72 fibers using high density PARA-OPTIX assemblies

ODC is a product and trademark of HUBER+SUHNER AG.
ODVA is a trademark of ODVA, Inc.

TABLE OF CONTENTS

Introduction 2

What's New In This Issue 3

Table of Contents 4-6

Section 1 — Cable Assemblies & Backplane Interconnects 7-27

PARALIGHT Active Optical Cable Assemblies 8-11

10 Gigabit Fiber Optic Products Overview

 MTP/MPO Round Cable Assemblies 12

 LC Cable Assemblies 12

 LC and SC Connector Kits 13

 LC and SC Adapters 13

MPO Cable Assemblies

 MTP/MPO Round Cable Assemblies 14

 MTP/MPO Breakout Cable Assemblies 15

 MPO Connectors and Adapters 16

 PARA-OPTIX High Density Cable Assemblies 17

MPX Backplane Solutions 18-26

 LIGHTRAY MPX Connector 18

 Bulkhead Coupling Adapter 19

 Backplane Housings and Adapters 19-21

 Fanout Assemblies 22

 Mini Trunk Assemblies 22

 Trunk Assemblies 22

 Singlemode — Standard Loss LIGHTRAY MPX Assemblies 23, 24

 Dust Covers, Cleaning Kit and Connector Microscope Adapters 25

 Cleaners 26

Simplex and Duplex Fiber Assemblies 27

Section 2 — Connectors, Adapters, Tooling & Accessories 29-60

LC Connectors 30-35

 LC Connector Kits 30, 31

 LC Connector Components 32, 33

LC Adapters 34, 35

SC Connectors 36-38

 SC Connector Kits 36

 SC Connector Components 37, 38

SC Adapters 39-41

 SC to SC Adapters 39, 40

 SC to ST Hybrid Adapters 40, 41

 Slide-On Retractable Cover for SC Simplex or Duplex Applications 41

ST Connectors and Adapters 42-45

 ST Connector Kits 42

 ST Connector Components 43

 ST Active Device Mounts 43

TABLE OF CONTENTS (Continued)

| | |
|---|---------------|
| FC Connectors | 44 |
| FC Connector Kits | 44 |
| FC Adapters | 44, 45 |
| FC to FC Adapters | 44 |
| FC to ST Hybrid Adapters | 45 |
| FC to SC Hybrid Adapters | 45 |
| ESCON Connector | 46 |
| FSMA Connector | 46 |
| FSMA Adapter | 46 |
| MT-RJ SECURE Connectors | 47 |
| LIGHTCRIMP PLUS No Epoxy, No Polish LC, SC and ST Connectors | 48 |
| Tooling | 49-56 |
| | |
| Section 3 — Fiber Management & Capabilities | 57-62 |
| Fiber Management Systems | 58 |
| LIGHTRAY OFX Optical Fiber Circuit Assemblies | 59 |
| On Card Fiber Management | 60 |
| Enclosures and Customer Interface Panels | 61 |
| Laser Process for Fibershape Products | 62 |
| | |
| Section 4 — Other Products and Capabilities | 63-70 |
| AMP NETCONNECT Premises Wiring Products | 64 |
| Telecom Outside Plant Products | 65 |
| Attenuators | 66-69 |
| Switches | 70 |
| | |
| Section 5 — Fiber to the Antenna Rugged Interconnect | 71-96 |
| Introduction | 72 |
| FULLAXS Fiber to the Antenna Rugged Interconnect | 73 |
| ODC™ Plug and Socket Cable Assemblies | 74-78 |
| Max-Travel Fiber to the Antenna Rugged Interconnect | 79 |
| LC ODVA Connectors | 80, 81 |
| PRO BEAM Expanded Beam Rugged Optics Products | 82-96 |
| | |
| Part Number Index | 97, 98 |

ODC is a product and trademark of HUBER+SUHNER AG.

Engineering Notes

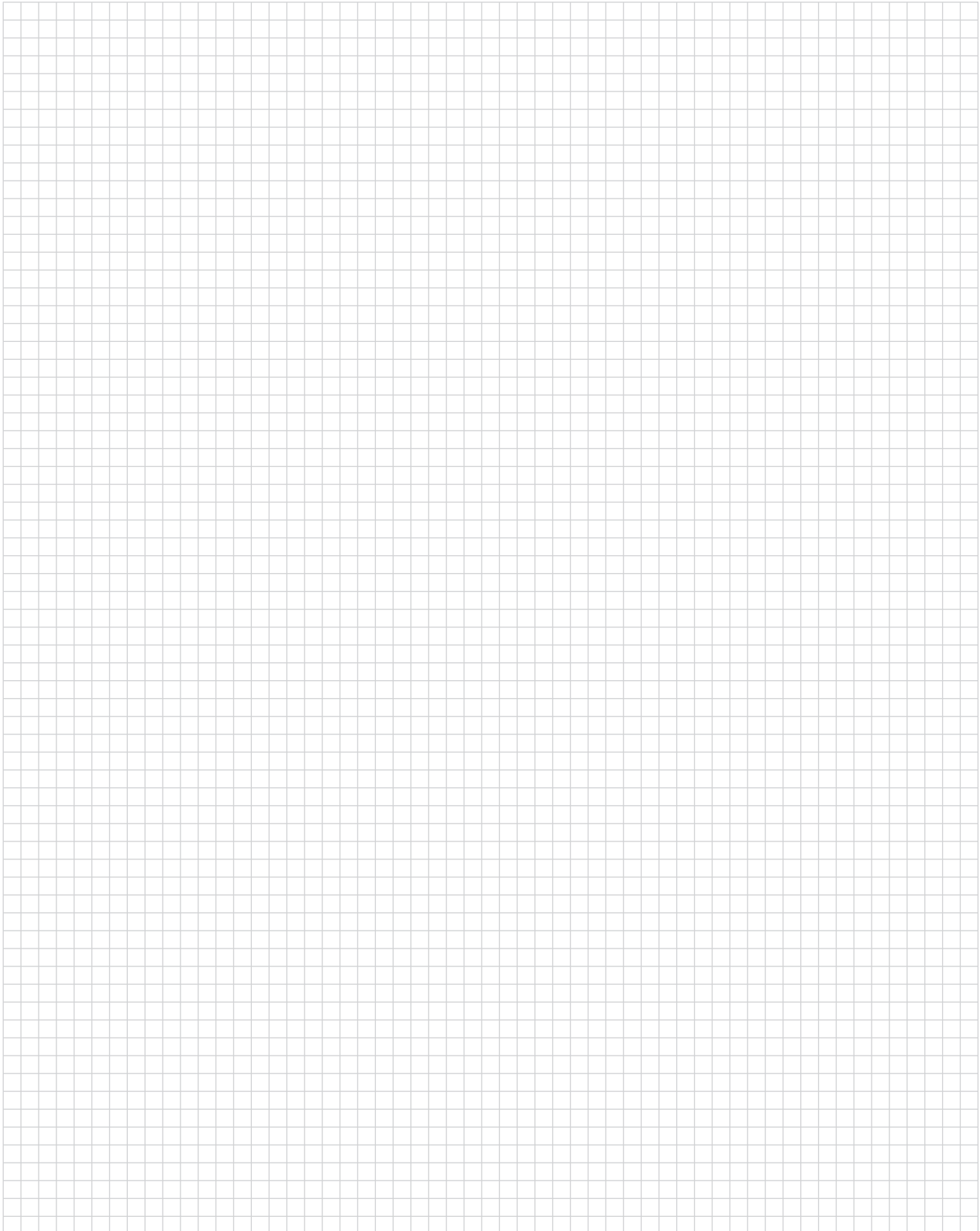




Table of Contents

| | |
|---|--------------|
| Section 1 — Cable Assemblies & Backplane Interconnects | 7-27 |
| PARALIGHT Active Optical Cable Assemblies | 8-11 |
| 10 Gigabit Fiber Optic Products Overview | |
| MTP/MPO Round Cable Assemblies | 12 |
| LC Cable Assemblies | 12 |
| LC and SC Connector Kits | 13 |
| LC and SC Adapters | 13 |
| MPO Cable Assemblies | |
| MTP/MPO Round Cable Assemblies | 14 |
| MTP/MPO Breakout Cable Assemblies | 15 |
| MPO Connectors and Adapters | 16 |
| PARA-OPTIX High Density Cable Assemblies | 17 |
| LIGHTRAY MPX Backplane Solutions | 18-26 |
| LIGHTRAY MPX Connector | 18 |
| Bulkhead Coupling Adapter | 19 |
| Backplane Housings and Adapters | 19-21 |
| Fanout Assemblies | 22 |
| Mini Trunk Assemblies | 22 |
| Trunk Assemblies | 22 |
| Singlemode — Standard Loss LIGHTRAY MPX Assemblies | 23, 24 |
| Dust Covers, Cleaning Kit and Connector Microscope Adapters | 25 |
| Cleaners | 26 |
| Simplex and Duplex Fiber Assemblies | 27 |

PARALIGHT Active Optical Cable Assemblies

Product Facts

- 4 transmit and 4 receive channels at 5 Gb/s and 10 Gb/s per channel
- Industry standard (SFF-8470) electrical connector (aka InfiniBand 4X, IB 4X, CX4*, Fibre Channel) and QSFP/QSFP+ Connector
- Internally terminated optics — no optical connector to clean
- Differential data I/O per InfiniBand version 1.2.1
- Asynchronous, internally AC coupled inputs and outputs
- Passively cooled design — low thermal resistance heat path from chip to connector shell
- Small diameter cable (3.0 mm)
- Light weight
- Tight bend radius
- Following configurations also available. Contact your TE sales representative for details
 - SFP+ 10 Gb/s single lane
 - CXP 10 Gb/s twelve lane

*CX4 available in 5 Gb/s only.



TE's PARALIGHT active optical cable assemblies use state-of-the-art technology to provide cost effective high data throughput interconnects. The cables incorporate E/O and O/E conversion built into the connector shell to yield a dramatic improvement in PCB real estate utilization.

Using 850 nm VCSEL technology, the 5 Gb/s active cable assemblies will operate over a data rate of 2.5 to 5 Gb/s per lane with an aggregate data rate of 20 Gb/s in each direction. The 10 Gb/s active cable assemblies will operate over a data rate of 2.5 to 10 Gb/s per lane with an aggregate data rate of 40 Gb/s in each direction.

They are available in lengths up to 100 meters using 50 micron fiber. Longer lengths available upon request. The EOE circuitry is designed for use with 8B/10B encoded data streams, such as InfiniBand, Fibre Channel, and XAUI.

QSFP connector style supports connections for an I²C serial interface, which can be used to identify the product and performance capabilities.

Applications

- High Performance Computing Clusters
- Supercomputers
- High End Servers
- Mass Storage
- Metro Network Switch/Cross Connect
- High End Carrier Class Routers
- SDR, QDR and DDR InfiniBand Applications
- Other 2.5–10.0 Gb/s Applications (e.g. 10 Gb Fibre Channel or 10 Gig Ethernet XAUI on ports providing InfiniBand pinout 3.3 V power)

Mechanical/Environmental

- Up to 100 meters — longer lengths available upon request
- 25 mm bend radius
- Operating Case Temperature 0° C to 70° C
- Storage Temperature -40° C to 85° C

Materials

- OFNR/CSA-FT-6 (plenum) cable
- OFN-LS (LSZH rated) cable

Technical Document Product Specification 108-2330

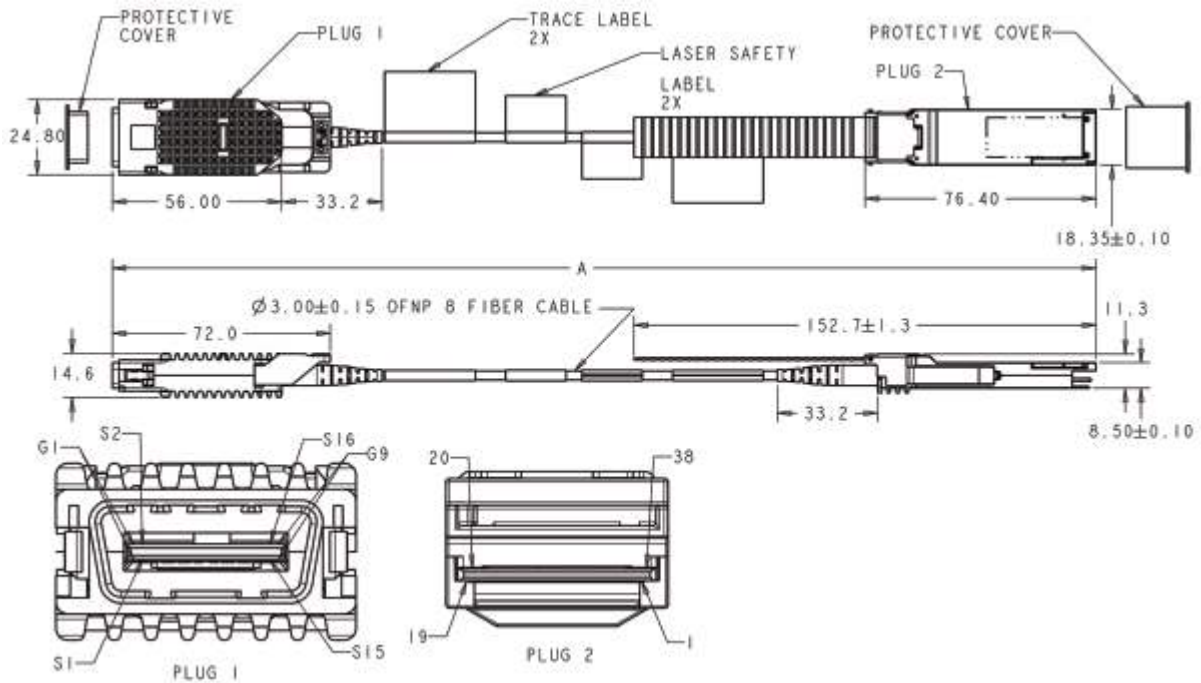
Fibre Channel is a trademark of the Fibre Channel Industry Association.

INFINIBAND is a trademark of the InfiniBand Trade Association.

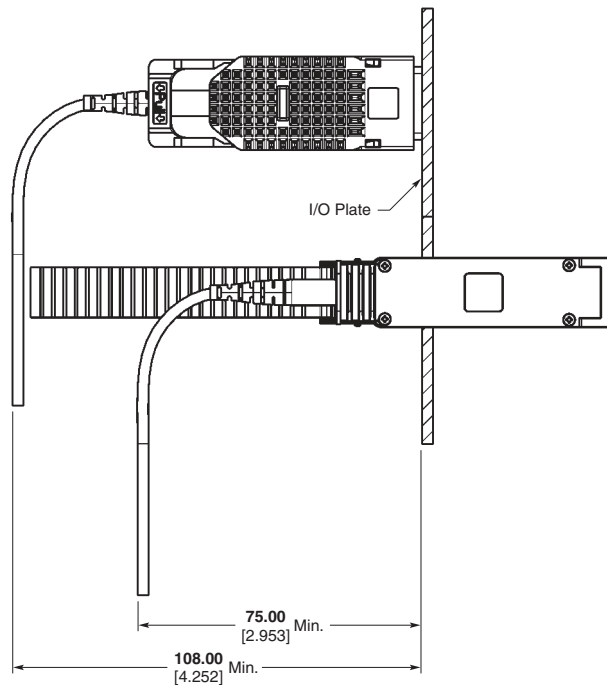
XAUI is a trademark of the 10Gigabit Ethernet Alliance XAUI Interoperability Group.

PARALIGHT Active Optical Cable Assemblies (Continued)

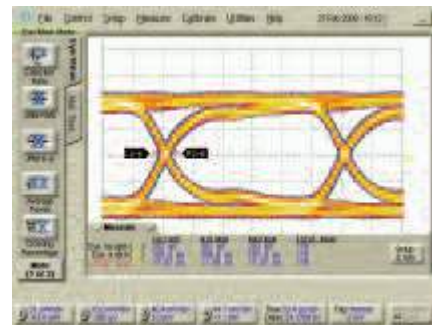
Product Dimensions
IB 4X to QSFP/QSFP+



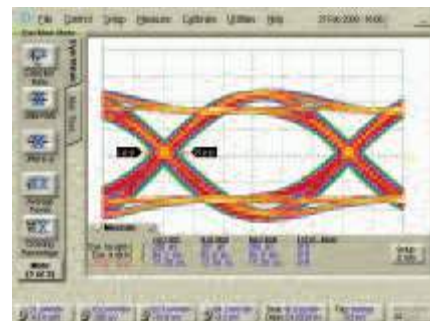
Front Panel Door Clearance



Typical 5 Gb/s Eye Diagram
(PRBS2⁷-1 with crosstalk)



Typical 10 Gb/s Eye Diagram
(PRBS2⁷-1 with crosstalk)



PARALIGHT Active Optical Cable Assemblies (Continued)

5 Gb/s Part Numbers

| Length (meters) | Cable Type | 5 GB/S CX4*** Part Numbers | 5 GB/S CX4 to QSFP Part Numbers | 5 GB/S QSFP Part Numbers | 10 GB/S QSFP+ Part Numbers |
|-----------------|------------|----------------------------|---------------------------------|--------------------------|----------------------------|
| 2 | OFNP** | 2064782-1 | 2064781-1 | 2064778-1 | 2064779-1 |
| | LSZH* | 2064815-1 | 2064814-1 | 2064812-1 | 2064813-1 |
| 3 | OFNP** | 2064782-2 | 2064781-2 | 2064778-2 | 2064779-2 |
| | LSZH* | 2064815-2 | 2064814-2 | 2064812-2 | 2064813-2 |
| 5 | OFNP** | 2064782-3 | 2064781-3 | 2064778-3 | 2064779-3 |
| | LSZH* | 2064815-3 | 2064814-3 | 2064812-3 | 2064813-3 |
| 10 | OFNP** | 2064782-4 | 2064781-4 | 2064778-4 | 2064779-4 |
| | LSZH* | 2064815-4 | 2064814-4 | 2064812-4 | 2064813-4 |
| 15 | OFNP** | 2064782-5 | 2064781-5 | 2064778-5 | 2064779-5 |
| | LSZH* | 2064815-5 | 2064814-5 | 2064812-5 | 2064813-5 |
| 20 | OFNP** | 2064782-6 | 2064781-6 | 2064778-6 | 2064779-6 |
| | LSZH* | 2064815-6 | 2064814-6 | 2064812-6 | 2064813-6 |
| 25 | OFNP** | 2064782-7 | 2064781-7 | 2064778-7 | 2064779-7 |
| | LSZH* | 2064815-7 | 2064814-7 | 2064812-7 | 2064813-7 |
| 30 | OFNP** | 2064782-8 | 2064781-8 | 2064778-8 | 2064779-8 |
| | LSZH* | 2064815-8 | 2064814-8 | 2064812-8 | 2064813-8 |
| 40 | OFNP** | 2064782-9 | 2064781-9 | 2064778-9 | 2064779-9 |
| | LSZH* | 2064815-9 | 2064814-9 | 2064812-9 | 2064813-9 |
| 50 | OFNP** | 1-2064782-0 | 1-2064781-0 | 1-2064778-0 | 1-2064779-0 |
| | LSZH* | 1-2064815-0 | 1-2064814-0 | 1-2064812-0 | 1-2064813-0 |
| 100 | OFNP** | 1-2064782-1 | 1-2064781-1 | 1-2064778-1 | 1-2064779-1 |
| | LSZH* | 1-2064815-1 | 1-2064814-1 | 1-2064812-1 | 1-2064813-1 |

*LSZH = Low Smoke Zero Halogen
 **OFNP = Optical Fiber Nonconductive Plenum
 ***Also known as CX4 and SFF-8470
Note: Longer lengths available upon request.

5 GB/S General Specifications

| Symbol | Parameter | Min. | Typical | Max. | Unit | Notes |
|--------|----------------------------|------|---------|------|------|-------|
| | Data Rate/Channel | 2.5 | — | 5 | Gb/s | 1 |
| Tc | Operating Case Temperature | 0 | — | 70 | °C | 2 |
| Vcc | Supply Voltage | 3.13 | 3.3 | 3.47 | V | |
| | Total Power Dissipation | — | 1.3 | 1.5 | W | 3 |
| | Fiber Core Diameter | — | 50 | — | µm | |

1. Test pattern PRBS 2E7-1
2. Per End
3. Central office environment per GR-468-CORE

5 GB/S Transmitter Electrical Specifications

| Symbol | Parameter | Min. | Typical | Max. | Unit | Notes |
|-----------|------------------------------|------|---------|------|------|-------|
| | Input Common Mode | 0 | — | Vcc | V | 1 |
| V_diff_IN | Differential data swing | 650 | — | 1600 | mVpp | |
| Rin | Differential Input Impedance | 80 | 100 | 120 | Ω | |

1. Internally AC coupled.

5 GB/S Receiver Electrical Specifications

| Symbol | Parameter | Min. | Typical | Max. | Unit | Notes |
|------------|-------------------------------|------|---------|------|------|-------|
| | Output Common Mode | — | — | — | V | 1 |
| V_diff_OUT | Differential data swing | 200 | 300 | 1200 | mVpp | |
| Rout | Differential Output Impedance | — | 100 | — | Ω | |
| TJ | Total Jitter (p-p) | — | — | .42 | UI | 2 |
| ΔT ch-ch | Skew | — | — | 200 | ps | |

1. Internally AC Coupled.
2. Total jitter is specified at a BER of 10⁻¹² using PRBS 2⁷-1.

Note: All part numbers are RoHS compliant.



PARALIGHT Active Optical Cable Assemblies (Continued)

10 GB/S General Specifications

| Symbol | Parameter | Min. | Typical | Max. | Unit | Notes |
|--------|----------------------------|------|---------|------|------|-------|
| | Data Rate/Channel | 2.5 | — | 10.0 | Gb/s | 1 |
| Tc | Operating Case Temperature | 0 | — | 70 | °C | 2 |
| Vcc | Supply Voltage | 3.13 | 3.3 | 3.47 | V | |
| | Total Power Dissipation | — | 1.5 | 1.7 | W | 3 |
| | Fiber Core Diameter | — | 50 | — | µm | |

1. Test pattern PRBS 2E7-1
2. Per End
3. Central office environment per GR-468-CORE

10 GB/S Transmitter Electrical Specifications

| Symbol | Parameter | Min. | Typical | Max. | Unit | Notes |
|-----------|------------------------------|------|---------|------|------|-------|
| | Input Common Mode | 0 | — | Vcc | V | 1 |
| V_diff_IN | Differential data swing | 500 | — | 1600 | mVpp | |
| Rin | Differential Input Impedance | 80 | 100 | 120 | Ω | |

1. Internally AC coupled.

10 GB/S Receiver Electrical Specifications

| Symbol | Parameter | Min. | Typical | Max. | Unit | Notes |
|------------|-------------------------------|------|---------|------|------|-------|
| | Output Common Mode | — | — | — | V | 1 |
| V_diff_OUT | Differential data swing | 200 | 300 | 1200 | mVpp | |
| Rout | Differential Output Impedance | — | 100 | — | Ω | |
| TJ | Total Jitter (p-p) | — | — | .42 | UI | 2 |
| ΔT ch-ch | Skew | — | — | 200 | ps | |

1. Internally AC Coupled.
2. Total jitter is specified at a BER of 10⁻¹² using PRBS 2⁷-1.

Mechanical

| Symbol | Parameter | Value | Unit | Notes |
|--------|----------------|-------|--------|-------|
| | Off Axis Load | 22.2 | N | |
| | Retention Load | 89 | N | |
| | Durability | 250 | cycles | |

Regulatory Information

| Symbol | Parameter | Compliance |
|--------|--|--|
| | Preliminary Eye Safety Classification ¹ | 1M |
| | Electrostatic Discharge (ESD), human body | JESD22-A114D, Class 1 (1000 volts), human body model |

Optical energy contained within cable.
CAUTION: Do not cut optical cable. Viewing the cut fiber ends, especially with certain optical instruments (for example, eye loupes, magnifiers, and microscopes) may pose an eye hazard.

This product is classified as a Class 1M Laser product in accordance with IEC 60825-1:1993+A1+A2 and complies with 21CFR 1040.10 and 1040.11 except for deviations pursuant to laser notice NO. 50, dated 24-Jun-2007.

Note: The TUV Bauartmark does not apply to LSZH assemblies

**INVISIBLE LASER RADIATION
 DO NOT VIEW DIRECTLY WITH
 OPTICAL INSTRUMENTS “(MAGNIFIERS)”
 CLASS 1M LASER PRODUCT
 840-850nm, 700uW**



10 Gigabit Fiber Optic Products Overview

MTP/MPO Round Cable Assemblies



QSFP Compatible MPO to MPO

| Fiber Type | Fiber Count | Length in meters | Part Number |
|-----------------------|-------------|------------------|-------------|
| 10 Gig / OM3 (50/125) | 8 | 1 | 1938323-1 |
| | | 5 | 1938323-5 |
| | | 10 | 1-1938323-0 |
| | | 20 | 2-1938323-0 |
| | | 50 | 5-1938323-0 |

12-Fiber Reversed Fiber Path MPO to MPO

| Fiber Type | Fiber Count | Length in meters | Part Number |
|-----------------------|-------------|------------------|-------------|
| 10 Gig / OM3 (50/125) | 12 | 1 | 1938324-1 |
| | | 5 | 1938324-5 |
| | | 10 | 1-1938324-0 |
| | | 20 | 2-1938324-0 |
| | | 50 | 5-1938324-0 |

For custom configurations, contact your TE sales representative.

LC Cable Assemblies



| Simplex / Duplex | Cable Type | Side A | Side B | Jacket Type | Part Number | Part Numbers/Lengths (m) | | | | | |
|--------------------------------------|------------------------|--------|--------|-----------------------|-------------|--------------------------|-----------|-----------|-----------|-------------|-------------|
| | | | | | | 1 | 2 | 3 | 5 | 10 | 15 |
| LC Cable Assemblies | | | | | | | | | | | |
| Duplex | 50/125 OM3 | LC | LC | 2 mm jacketed riser | X-2064862-X | 2064862-1 | 2064862-2 | 2064862-3 | 2064862-5 | 1-2064862-0 | 1-2064862-5 |
| | 10Gig Fiber | LC | SC | 2 mm jacketed riser | X-2064863-X | 2064863-1 | 2064863-2 | 2064863-3 | 2064863-5 | 1-2064863-0 | 1-2064863-5 |
| SC Cable Assemblies | | | | | | | | | | | |
| Simplex | 50/125 OM3 10Gig Fiber | SC | SC | 2 mm jacketed riser | X-2064883-X | 2064883-1 | 2064883-2 | 2064883-3 | 2064883-5 | 1-2064883-0 | 1-2064883-5 |
| Duplex | 50/125 OM3 10Gig Fiber | SC | SC | 2 mm jacketed riser | X-2064886-X | 2064886-1 | 2064886-2 | 2064886-3 | 2064886-5 | 1-2064886-0 | 1-2064886-5 |
| | 50/125 OM3 10Gig Fiber | SC | ST | 2 mm jacketed riser | X-2064889-X | 2064889-1 | 2064889-2 | 2064889-3 | 2064889-5 | 1-2064889-0 | 1-2064889-5 |
| ST Cable Assemblies | | | | | | | | | | | |
| Simplex | 50/125 OM3 10Gig Fiber | ST | ST | 2 mm jacketed riser | X-2064877-X | 2064877-1 | 2064877-2 | 2064877-3 | 2064877-5 | 1-2064877-0 | 1-2064877-5 |
| Duplex | 50/125 OM3 10Gig Fiber | ST | ST | 2 mm jacketed riser | X-2064880-X | 2064880-1 | 2064880-2 | 2064880-3 | 2064880-5 | 1-2064880-0 | 1-2064880-5 |
| MT-RJ SECURE Cable Assemblies | | | | | | | | | | | |
| Duplex | 50/125 OM3 10Gig Fiber | MT-RJ | MT-RJ | 1.8 mm jacketed riser | X-6588572-X | 6588572-1 | 6588572-2 | 6588572-3 | 6588572-5 | 1-6588572-0 | 1-6588572-5 |
| | 50/125 OM3 10Gig Fiber | MT-RJ | SC | 1.8 mm jacketed riser | X-6588573-X | 6588573-1 | 6588573-2 | 6588573-3 | 6588573-5 | 1-6588573-0 | 1-6588573-5 |

Additional lengths available. See TE specification 1206850 for more details

Note: All part numbers are RoHS compliant.

LC and SC Connector Kits



LC Connector Kits — Standard Kits

| Description | Fiber Type | Housing Color | Boot Color | Used with | Assembly Pack Part Number |
|-------------|------------|---------------|------------|---------------------|---------------------------|
| Simplex | Multimode | Beige | Beige | 900 μm Buffered | 2064938-1 |
| | | | | 1.6-2.0 mm Jacketed | 2064938-2 |
| | | | | 3.0 mm Jacketed | 2064938-3 |
| Duplex | Multimode | Beige | Beige | 900 μm Buffered | 2-2064938-1 |
| | | | | 1.6-2.0 mm Jacketed | 2-2064938-2 |
| | | | | 3.0 mm Jacketed | 2-2064938-3 |



SC Connector Kits — Standard Kits

| Description | Fiber Type | Housing Color | Boot Color | Used with | Assembly Pack Part Number |
|-------------|------------|---------------|------------|-----------------|---------------------------|
| Simplex | Multimode | Beige | Beige | 900 μm Buffered | 2064939-1 |
| | | | | 2.0 mm Jacketed | 2064939-2 |
| | | | | 3.0 mm Jacketed | 2064939-3 |
| Duplex | Multimode | Beige | Beige | 2.0 mm Jacketed | 5504928-1 |
| | | | | 3.0 mm Jacketed | 5504657-1 |

LC and SC Adapters



LC Duplex Adapter for SC Cutout — Plastic

| Alignment Sleeve Material | Description | Housing Color | Part Numbers |
|---------------------------|-------------|---------------|--------------|
| Ceramic | Flanged | Aqua | 1-6457567-6 |
| | Flangeless | Aqua | 1-6457567-4 |
| Metal | Flanged | Aqua | 2-6457567-0 |
| | Flangeless | Aqua | 1-6457567-8 |

Shuttered LC Duplex Adapter for SC Cutout — Plastic

| Alignment Sleeve Material | Description | Housing Color | Shutter Label Color | Part Number |
|---------------------------|-------------|---------------|---------------------|-------------|
| Ceramic | Flanged | Aqua | Aqua | 1-2064658-6 |
| | Flangeless | Aqua | Aqua | 1-2064752-4 |

LC Quad Adapter for SC Duplex Cutout — Plastic

| Alignment Sleeve Material | Description | Housing Color | Part Numbers |
|---------------------------|-------------|---------------|--------------|
| Ceramic | Flanged | Aqua | 1-1695790-0 |
| | Flangeless | Aqua | 1-1695790-1 |
| Metal | Flanged | Aqua | 1695790-9 |

SC Simplex Adapter — Plastic

| Alignment Sleeve Material | Description | Housing Color | Part Numbers |
|---------------------------|-------------|---------------|--------------|
| Ceramic | Flanged | Aqua | 2-5502632-4 |
| | Flangeless | Aqua | 5504632-6 |
| Metal | Flanged | Aqua | 2-5502632-3 |



SC Duplex Adapter — Plastic

| Alignment Sleeve Material | Description | Housing Color | Part Numbers |
|---------------------------|-------------|---------------|--------------|
| Ceramic | Flanged | Aqua | 2-5502776-6 |
| Metal | Flanged | Aqua | 2-5502776-5 |

Note: All part numbers are RoHS compliant.

MPO Cable Assemblies

MTP/MPO Round Cable Assemblies

Suitable for Interface to Transceiver

Product Facts

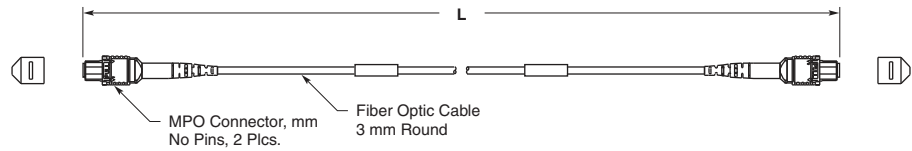
- Flexible round outer jacket for easier installation/routing
- Available in fiber counts up to 24
- Fiber path reversed or straight

Applications

- Transceiver interface
- High density interconnect for optical switches, routers, PC cards

Options

- Fiber Types
 - Singlemode
 - Low Loss Singlemode
 - 50/125 μm OM4
 - 50/125 μm OM3
 - 50/125 μm OM2
 - 62.5/125 μm
 - Bend insensitive fiber G657A or G657B
- Cable Ratings
 - Riser rated, UL-OFNR
 - Plenum rated, UL-OFNP
 - Low Smoke, Zero Halogen rated, LSZH



QSFP Compatible MPO to MPO

| Fiber Type | Fiber Count | Length in meters | Part Number |
|-----------------------|-------------|------------------|-------------|
| 10 Gig / OM3 (50/125) | 8 | 1 | 1938323-1 |
| | | 5 | 1938323-5 |
| | | 10 | 1-1938323-0 |
| | | 20 | 2-1938323-0 |
| | | 50 | 5-1938323-0 |
| OM2 50/125 | 8 | 1 | 1938208-1 |
| | | 5 | 1938208-5 |
| | | 10 | 1-1938208-0 |
| | | 20 | 2-1938208-0 |
| | | 50 | 5-1938208-0 |

Reverse Fiber Path

| MPO Left Fiber # | MPO Right Fiber # |
|------------------|-------------------|
| 1 | ↔ 12 |
| 2 | ↔ 11 |
| 3 | ↔ 10 |
| 4 | ↔ 9 |
| 5 | Not Connected 8 |
| 6 | Not Connected 7 |
| 7 | Not Connected 6 |
| 8 | Not Connected 5 |
| 9 | ↔ 4 |
| 10 | ↔ 3 |
| 11 | ↔ 2 |
| 12 | ↔ 1 |

12-Fiber Reversed Fiber Path MPO to MPO

| Fiber Type | Fiber Count | Length in meters | Part Number |
|-----------------------|-------------|------------------|-------------|
| 10 Gig / OM3 (50/125) | 12 | 1 | 1938324-1 |
| | | 5 | 1938324-5 |
| | | 10 | 1-1938324-0 |
| | | 20 | 2-1938324-0 |
| OM2 50/125 | 12 | 1 | 1938209-1 |
| | | 5 | 1938209-5 |
| | | 10 | 1-1938209-0 |
| | | 20 | 2-1938209-0 |
| | | 50 | 5-1938209-0 |

Reverse Fiber Path

| MPO Left Fiber # | MPO Right Fiber # |
|------------------|-------------------|
| 1 | ↔ 12 |
| 2 | ↔ 11 |
| 3 | ↔ 10 |
| 4 | ↔ 9 |
| 5 | ↔ 8 |
| 6 | ↔ 7 |
| 7 | ↔ 6 |
| 8 | ↔ 5 |
| 9 | ↔ 4 |
| 10 | ↔ 3 |
| 11 | ↔ 2 |
| 12 | ↔ 1 |

For custom configurations, contact your TE sales representative.

Note: All part numbers are RoHS compliant.

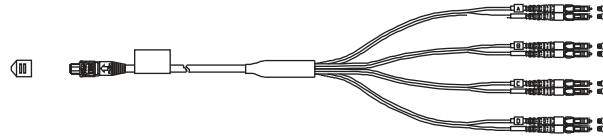
MPO Cable Assemblies (Continued)

MTP/MPO Breakout Cable Assemblies

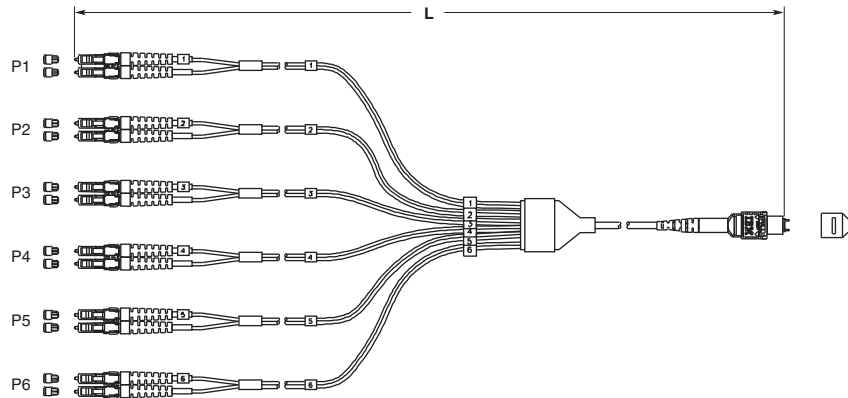
Suitable for Telecommunication and Data Communication Equipment

Options include:

- Ribbon or Round Cable
- Fiber counts up to 24
- Fiber Types
 - Singlemode
 - Low Loss Singlemode
 - 50/125 μm OM3
 - 50/125 μm OM2
 - 62.5/125 μm
 - Bend insensitive fiber G657A or G657B
- Cable Ratings
 - Riser rated, UL-OFNR
 - Plenum rated, UL-OFNP
 - Low Smoke, Zero Halogen rated, LSZH
- Connector Types
 - LC
 - SC
 - ST
 - FC
 - MU
 - MT-RJ SECURE Connector
- Different configurations available upon request



MPO to LC Duplex
8 Fiber Straight Through on Ribbon Fiber

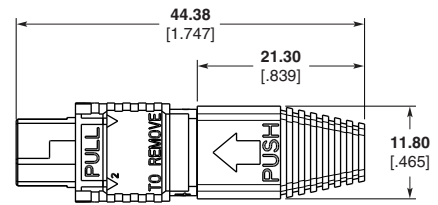


MPO to LC Duplex
12 Fiber Straight Through on Round Cable

MPO Connectors and Adapters

Product Facts

- Tested to Telecordia GR-1435
- Push Pull Latching
- 4, 8, 12, OR 24 fibers
- Color-coded housings differentiate singlemode and multimode:
 - Multimode — Beige
 - Singlemode — Green
- Manufactured to IEC Standards 61754-7 and TIA/EIA 604-5



MPO Connector Kit Selection — Plug Kits

| Fiber Type | Female (no pins) | Male (with pins) |
|------------|------------------|------------------|
| Singlemode | 6457981-1 | 6457981-2 |
| Multimode | 6457983-1 | 6457983-2 |

Note: Ferrules and Mini-Boots are sold separately. See chart below for proper part numbers.

Industry Standard

Performance Characteristics

Singlemode

Insertion Loss (Typ.) — 0.25 dB
 Insertion Loss (Max.) — 0.75 dB
 Return Loss — > 55 dB

Multimode

Insertion Loss (Typ.) — 0.2 dB
 Insertion Loss (Max.) — 0.5 dB
 Return Loss — > 20 dB



MPO Ferrule Kit with Mini-Boot

| Fiber Type | 4 Position | 8 Position | 12 Position |
|------------|------------|------------|-------------|
| Singlemode | 5492221-1 | 5492221-2 | 5492221-3 |
| Multimode | 5503839-1 | 5503839-2 | 5503839-3 |

Crimping Tool with Dieset

1588698-1



MPO Simplex Adapters

| Adapter Type | Part Number |
|-------------------------------|-------------|
| Adapter w/flange | 1588172-1 |
| Adapter w/flange and clip | 1588172-2 |
| Adapter w/o flange | 1588172-3 |
| Adapter w/o flange and w/clip | 1588172-4 |



MPO Quad 30°

| Adapter Type | Part Number |
|--------------|-------------|
| Adapter | 2064792-1 |

Note: All part numbers are RoHS compliant.

PARA-OPTIX High Density Cable Assemblies

Product Facts

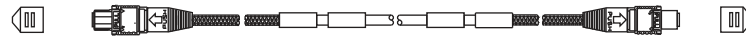
- Uses the latest generation MT-style ferrules
- Available in up to 72 fibers through a single MPO style connector
- Available in 24, 48, and 72 fiber
- Other fiber counts and lengths available
- Reduced space requirements
- Can provide cost benefit on a per-fiber basis



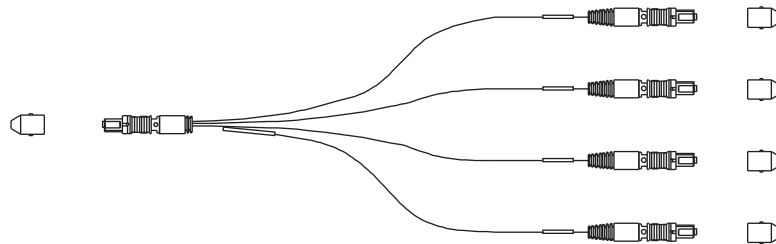
Potential Applications

- Jumpers and trunk cables for Data Centers
- Optical backplanes
- SAN Very Short Reach applications

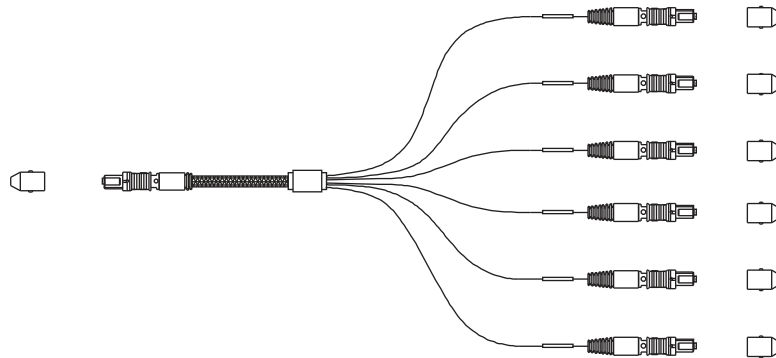
Please contact your local Sales Representative or TE for detailed performance characteristics and specifications.



| Part Number | Description |
|-------------|------------------------------------|
| 6588967-X | 24-fiber MPO-MPO, 50/125 Multimode |
| 6693069-X | 48-fiber MPO-MPO, 50-125 Multimode |
| 1919166-X | 72-fiber MPO-MPO, 50/125 Multimode |



| Part Number | Description |
|-------------|--|
| 6693068-X | 48-fiber MPO — (4), 12-fiber MPO, 50/125 bare ribbon |



| Part Number | Description |
|-------------|--|
| 6693067-X | 72-fiber MPO — (6), 12-fiber MPO, 50/125 bare ribbon |

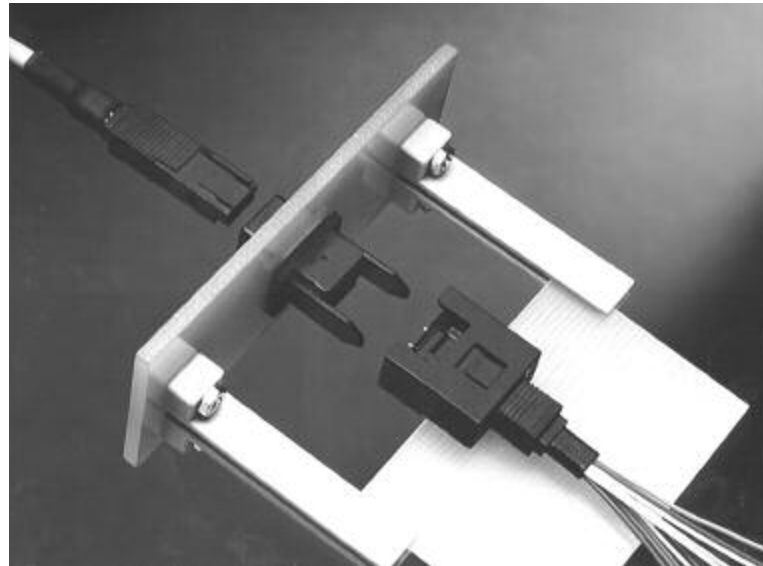
Note: All part numbers are RoHS compliant.

Note: "X" above denotes length. Check latest version of TE's customer drawing or contact your local sales representative for specific lengths available.

LIGHTRAY MPX Backplane Solutions

Product Facts

- **LIGHTRAY MPX Interconnects offer a blindmate backplane solution**
- **A complete fiber optic system which is ideal for applications requiring customized solutions**
- **Features very small, high density LIGHTRAY MPX connectors**
- **Based on industry proven MT interconnection technology**
- **Can use both multimode (62.5/125 μm or 50/125 μm) and singlemode (9 μm) fiber, and is designed to meet Bellcore GR 1435**
- **Saves valuable board space on the PCB, backplane and I/O**
- **Suitable for blind mate (free floating) and bulkhead applications. Offers flexible fiber routing and management**
- **2.5 mm of daughter card axial travel is provided**
- **Misalignment pick-up tolerance are:**
 ± 2.0 mm horizontal
 ± 2.5 mm vertical
 ± 2 degree angular



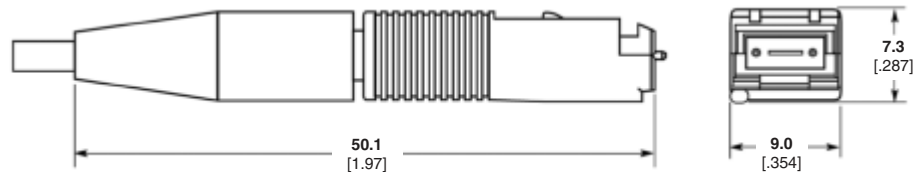
TE's LIGHTRAY MPX Interconnection System is designed for blind mate backplane and bulkhead dense fiber-to-fiber interconnect applications, including stand alone interconnections when used with bulkhead adapters.

The LIGHTRAY MPX Interconnection System offers maximum flexibility,

making them ideal for customized requirements and solutions.

Based on the field-proven MT ferrule technology, the LIGHTRAY MPX Interconnection System features a miniature multi-fiber connector, which holds up to 24 fibers on 250 μm centers.

TE's LIGHTRAY MPX Interconnection System is multi-sourced and features fanout assemblies, mini trunk and trunk cable assemblies, pre-loaded management systems, PC card connector housings and tooling, bulkhead adapters and transceiver modules and datalinks.



LIGHTRAY MPX Connector



Design Objectives

| Parameter | Value | | |
|-----------------------------------|-------------------------|------------|---------------------|
| | Multimode | Singlemode | Singlemode Low Loss |
| Insertion Loss, Mean (typical) | 0.20 dB | 0.25 dB | 0.20 dB |
| Insertion Loss, Max. | 0.50 dB | 0.75 dB | 0.30 dB / 0.5 dB* |
| Return Loss, Min. | 20 dB | 45 dB | 45 dB |
| Durability, | 0.3 dB CIT — 200 cycles | | |
| Straight Pull 2.2N | 0.3 dB change | | |
| Vibration, 10 to 55 Hz | 0.3 dB change | | |
| Temperature, Storage | -40° C to +85° C | | |
| Temperature Operating | -40° C to +85° C | | |
| Thermal Aging, 14 Days @ +85° C | 0.3 dB change | | |
| Humidity, 14 days 95% Rh @ +60° C | 0.3 dB change | | |

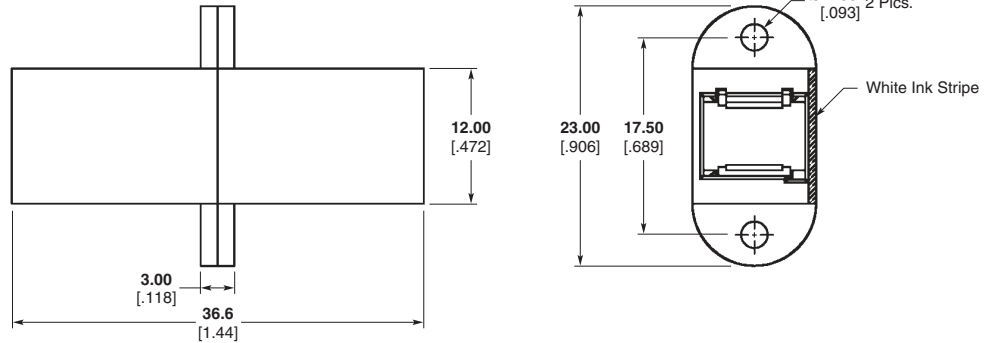
* Low loss tested in-house to a maximum of 0.3 dB against a reference. 0.5 dB is maximum random mate loss.



LIGHTRAY MPX Backplane Solutions (Continued)

Bulkhead Coupling Adapter

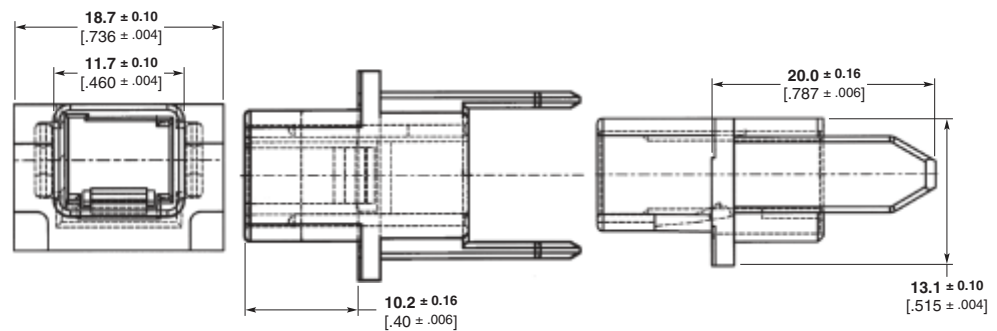
Part Number 492305-1



Backplane Housings and Adapters

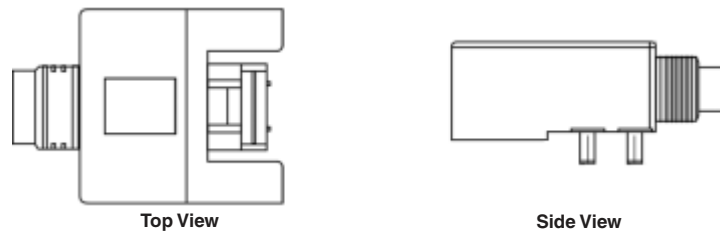
Backplane Housing — Simplex

Part Number 492739-1



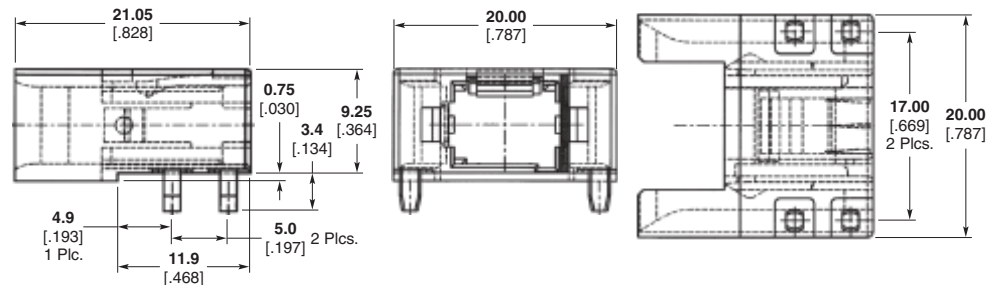
System Card Housing — Simplex

Part Number 492234-1



Product Facts

- Holds one standard or low loss LIGHTRAY MPX connector
- Simple press-fit mounting — no hardware needed
- Unique latching provides positive retention when card is unmated

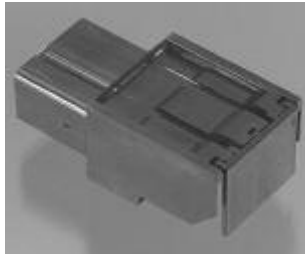


Note: All part numbers are RoHS compliant.

LIGHTRAY MPX Backplane Solutions (Continued)

Backplane Housings and Adapters (Continued)

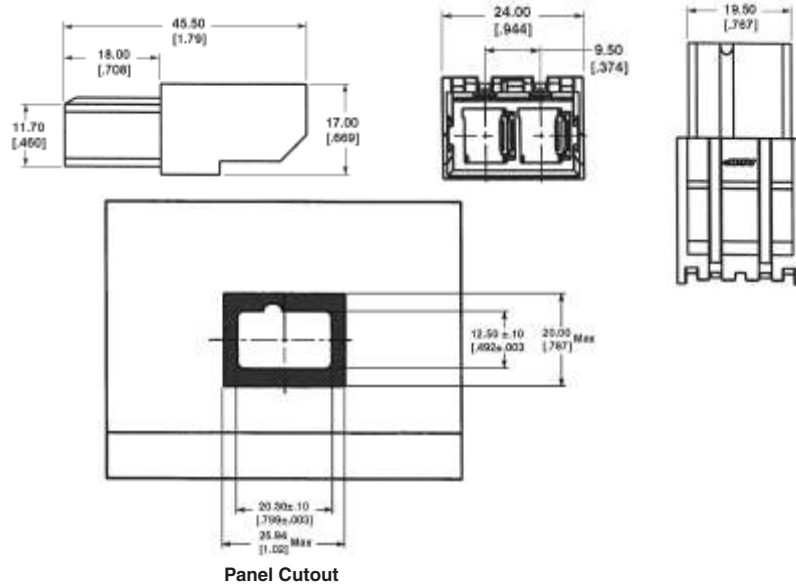
Backplane Housing — Duplex



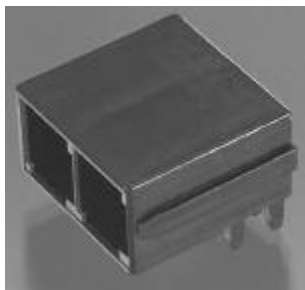
Product Facts

- Holds two standard or low loss LIGHTRAY MPX connectors
- Optional self actuated laser safety shutter
- Up to 48 fibers simultaneously mated and managed
- Mates to part number 1374491-1
- Used with clip part number 1278530-2

Part Number 1374490-1 and 6374493-1 (with safety shutter)



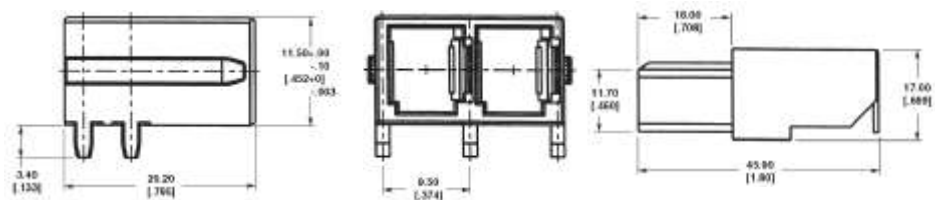
System Card Housing — Duplex



Product Facts

- Holds two standard or low loss LIGHTRAY MPX connectors
- Up to 48 fibers simultaneously mated and managed

Part Number 1374491-1



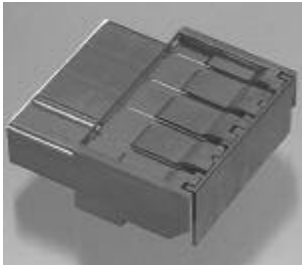
Note: All part numbers are RoHS compliant.



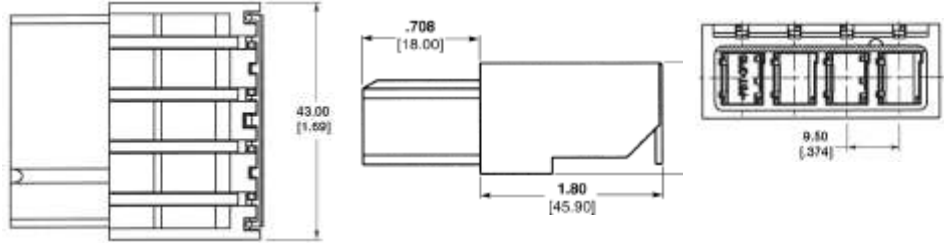
LIGHTRAY MPX Backplane Solutions (Continued)

Backplane Housings and Adapters (Continued)

Backplane Housing — Quad



Part Number 6278529-1



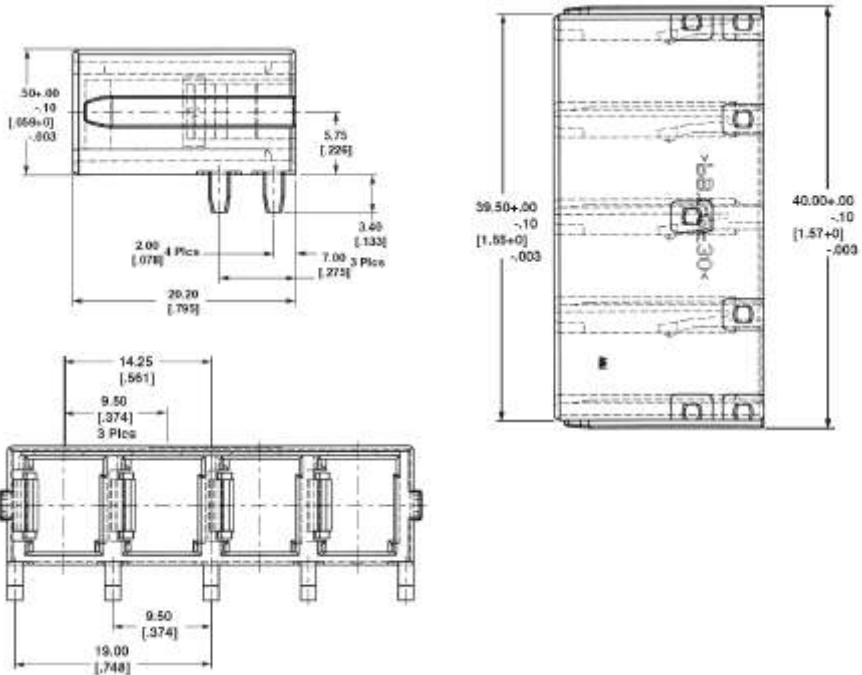
Product Facts

- Holds up to 4 standard or low loss LIGHTRAY MPX connectors
- Self actuated laser-safe shutter
- Up to 96 fibers simultaneously mated and managed

System Card Housing — Quad



Part Number 1278391-1



Product Facts

- Holds 4 standard or low loss LIGHTRAY MPX connectors
- Up to 96 fibers simultaneously mated and managed

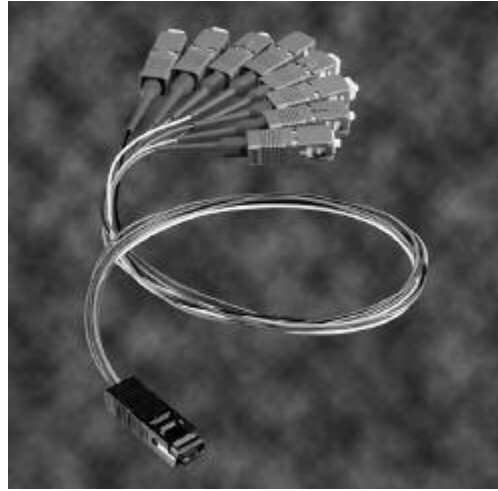
Note: All part numbers are RoHS compliant.

LIGHTRAY MPX Backplane Solutions (Continued)

Fanout Assemblies

Product Facts

- Multimode 62.5/125 μm and 50/125 μm
- Singlemode 9 μm , 8° angle interface
- Color coded buffered fiber or LSZH (Low Smoke Zero Halogen) sheathed cable with breakout kit
- Male LIGHTRAY MPX connectors (with guide pins)
- 4, 8, 12, 16 and 24 fibers
- Custom lengths available
- Connector labeling to guide insertion
- LC, SC, ST, FC or MT-RJ terminations available



Mini Trunk Assemblies

Product Facts

- Multimode 62.5/125 μm and 50/125 μm
- Singlemode 9 μm , 8° angle interface
- 250 μm bare ribbon and LSZH (Low Smoke Zero Halogen) sheathed ribbon cable available
- Female LIGHTRAY MPX connectors (without guide pins)
- 4, 8, 12, 16 and 24 fibers
- Custom lengths available
- Connector labeling to guide insertion



Trunk Assemblies

Product Facts

- Multimode 62.5/125 μm and 50/125 μm
- Singlemode 9 μm , 8° angle interface
- Available with female LIGHTRAY MPX connectors (without guide pins) and/or male LIGHTRAY MPX connectors (with guide pins)
- LC, SC, ST, FC or MT-RJ terminations available for hybrid configurations
- 4, 8 and 12 position ribbon fiber sub-units
- LSZH (Low Smoke Zero Halogen) sheathed cable (round construction)
- Internal/external cable
- Custom lengths available



LIGHTRAY MPX Backplane Solutions (Continued)



Singlemode — Standard Loss LIGHTRAY MPX Pigtails

Singlemode — Standard Loss LIGHTRAY MPX Pigtails Maximum Insertion Loss 1.0dB (1310nm)

| Description | Part Number |
|--|-------------|
| 4-fiber LIGHTRAY MPX (m) pigtail assy., 900 μm buffered fibers | 6457078-x |
| 8-fiber LIGHTRAY MPX (m) pigtail assy., bare ribbon | 6374392-x |
| 8-fiber LIGHTRAY MPX (f) pigtail assy., bare ribbon | 6374539-x |
| 8-fiber LIGHTRAY MPX (m) pigtail assy., 900 μm buffered fibers | 6374538-x |
| 8-fiber LIGHTRAY MPX (f) pigtail assy., 900 μm buffered fibers | 6374537-x |

Singlemode — Low Loss LIGHTRAY MPX Pigtails

Singlemode — Low Loss LIGHTRAY MPX Pigtails Maximum Insertion Loss 0.5dB (1310nm) Random Mate

| Description | Part Number |
|--|-------------|
| 8-fiber LIGHTRAY MPX (m) pigtail assy., bare ribbon | 6374448-x |
| 8-fiber LIGHTRAY MPX (f) pigtail assy., bare ribbon | 6374639-x |
| 8-fiber LIGHTRAY MPX (m) pigtail assy., 900 μm buffered fibers | 6457173-x |
| 8-fiber LIGHTRAY MPX (f) pigtail assy., 900 μm buffered fibers | 6457174-x |

Note: All assemblies are customer built to customer's length specifications. Dash number indicated length. Please contact TE for proper dash number.



Singlemode — Standard Loss LIGHTRAY MPX to MPX Cable Assemblies Bare Ribbon

Singlemode — Standard Loss LIGHTRAY MPX to MPX Cable Assemblies Bare Ribbon Maximum Insertion Loss 1.0dB (1310nm)

| Description | Part Number |
|--|-------------|
| 8-fiber LIGHTRAY MPX (m) to LIGHTRAY MPX (m) assy., bare ribbon | 6457394-x |
| 8-fiber LIGHTRAY MPX (f) to LIGHTRAY MPX (f) assy., bare ribbon | 6374600-x |
| 12-fiber LIGHTRAY MPX (m) to LIGHTRAY MPX (m) assy., bare ribbon | 6374743-x |

Singlemode — Low Loss LIGHTRAY MPX to MPX Cable Assemblies

Singlemode — Low Loss LIGHTRAY MPX to MPX Cable Assemblies Maximum Insertion Loss 0.5dB (1310nm) Random Mate

| Description | Part Number |
|---|-------------|
| 4-fiber LIGHTRAY MPX (m) to LIGHTRAY MPX (m) assy., bare ribbon | 6457398-x |
| 8-fiber LIGHTRAY MPX (m) to LIGHTRAY MPX (m) assy., bare ribbon | 6374738-x |

Note: All assemblies are customer built to customer's length specifications. Dash number indicated length. Please contact TE for proper dash number.

Note: All part numbers are RoHS compliant.

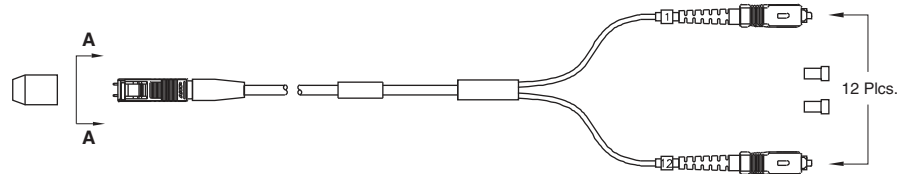
LIGHTRAY MPX Backplane Solutions (Continued)



Singlemode — Standard Loss LIGHTRAY MPX to MPX Cable Assemblies Jacketed

Singlemode — Standard Loss LIGHTRAY MPX to MPX Cable Assemblies Jacketed
Maximum Insertion Loss 1.0dB (1310nm)

| Description | Part Number |
|---|-------------|
| 8-fiber LIGHTRAY MPX (f) to LIGHTRAY MPX (f) assy., jacketed ribbon | 6374887-x |



Singlemode — Standard Loss LIGHTRAY MPX to SC Cable Assemblies

Singlemode — Standard Loss LIGHTRAY MPX to SC Cable Assemblies
Maximum Insertion Loss 1.0dB (1310nm)

| Description | Part Number |
|--|-------------|
| 12-fiber LIGHTRAY MPX (m) assy. To (12) SC, ruggedized | 5492515-x |

Note: All part numbers are RoHS compliant.



LIGHTRAY MPX Backplane Solutions (Continued)

Dust Covers

| Description | | Part Number |
|-----------------|----------------|--------------------------|
| Simplex | | |
| System Card | Board Side | 1278201-1 |
| | Backplane Side | 492578-1 |
| Backplane | Inside Cage | 492575-1 (no insert) |
| | | 5492576-1 (with insert) |
| | Back of Cage | 503967-5 (removal tool) |
| | | 5502871-1 |
| Duplex | | |
| System Card | Board Side | 5502871-1 |
| | Backplane Side | 1374674-1 |
| Backplane | Inside Cage | 6374671-1 |
| | Back of Rack | 5502871-1 |
| Quad | | |
| System Card | Board Side | 5502871-1 |
| | Backplane Side | 1374547-1 |
| Backplane | Inside Cage | 6374548-1 |
| | Back of Rack | 5502871-1 |
| Bulkhead | | 5502871-1 |
| Cable | | 492577-1 (without strap) |
| | | 492577-2 (with strap) |

Cleaning Kit

Product Facts

- 2 re-useable cleaning kit assemblies
- 2 LIGHTRAY MPX bulkhead adapters
- 2 LIGHTRAY MPX backplane housings
- 1 pack of 24 cleaning tool inserts (can be ordered separately)



| Description | Part Number |
|----------------------------|-------------|
| LIGHTRAY MPX Cleaning Kit | 1278498-1 |
| Cleaning Inserts (24/pack) | 1457019-3 |

Connector Microscope Adapters

Product Facts

- Designed specifically for the LIGHTRAY MPX Connector
- Fits in standard TE's microscope Part Number 1754767-1
- 200 x power

| Description | Part Number* |
|-----------------------------|--------------|
| Microscope Adapter | 1828834-1 |
| Microscope Adapter (angled) | 1828835-1 |

* Coupling adapter Part Number 1985041-1 required.

Note: All part numbers are RoHS compliant.

Cleaners

MTP/MPO IBC Cleaner Part Number 1918809-1

Product Facts

- Cleans male or female MTP/MPO connectors
- Pre-washed cleaning cloth is lint and debris free
- Each cleaner is capable of more than 400 cleanings
- Can be used for bulkhead and unmated MTP/MPO cleaning
- Protective dust cover doubles as an adapter cap for cleaning unmated connectors
- FOCIS 5-Type MTP/MPO interface compliant
- Removes dust and oil contamination
- Ideal solution for cleaning parallel optics transceivers



The MTP/MPO IBC (In Bulkhead Cleaner) dry cloth cleaner offered by TE utilizes a densely woven micro-fiber cloth that cleans male (with pins) or female MTP/MPO connectors while in adapters, bulkheads, faceplates, or in unmated form with the unique adapter/dust cover. The unique cleaning cloth also reduces static charge

making it one of the most advanced cleaning systems available for bulkhead optical connector cleaning.

Applications

For effective cleaning of:

- Male and female MTP/MPO connectors inside mating adapters
- Unmated male and female MTP/MPO connectors using included adapter

- Parallel optics transceivers
- Networking gear including switches and routers
- Factory or field connectors

Product Dimensions

Length — 184.2 mm [7.25 in.]
Width — 56.5 mm [2.22 in.]
Thickness — 22 mm [0.866 in.]
Adapter Length — 19.5 mm [0.759 in.]

MTP is a trademark of US Conec Ltd.

OPTIPOP R Reel Cleaner

Product Facts

- Static attraction is minimized
- Ultra clean micro-fiber cloth captures debris and other contamination
- Robust cloth does not fray or leave fibrous material behind
- Reduces the number of field and test issues caused by contaminated end faces
- High-end cost effective cleaning solution



The OPTIPOP R dry cloth cassette cleaners offered by TE utilize a densely woven micro-fiber cloth that cleans fiber optic connector tips while reducing static charge. This makes them one of the most advanced cleaning systems available for optical connector cleaning.

Applications

A variety of reel cleaner configurations allow for use on the major optical connector types including FC, SC, ST, LC, MU, ODVA conforming, MT-RJ SECURE connectors, and MPO.

Product Dimensions

Length — 127 mm [5.00 in.]
Width — 83 mm [3.26 in.]
Thickness — 48 mm [1.89 in.]
Weight — 150 g [0.33 lb.]



Reel Cleaner Refill (Six per Pack)
Part Number 1918806-1

| Description | Part Number |
|--|-------------|
| MPO w/pins reel cleaner | 1918802-1 |
| One slot reel cleaner; 1.25 mm, 2.5 mm, MT No Pins | 1918803-1 |
| Reel cleaner refill (six per pack) | 1918806-1 |

OPTIPOP is a trademark of NTT Advanced Technology Corporation.

Note: All part numbers are RoHS compliant.

Simplex and Duplex Fiber Assemblies

LC Cable Assemblies

| Simplex / Duplex | Cable Type | Side A | Side B | Jacket Type | Part Number | Part Numbers/Lengths (m) | | | |
|--------------------|------------------------|----------|-----------------------|-----------------------|-------------|--------------------------|-----------|-------------|-------------|
| | | | | | | 1 | 3 | 5 | 10 |
| Simplex | Singlemode | LC | LC | 900 micron | X-2064843-X | 2064843-1 | 2064843-3 | 2064843-5 | 1-2064843-0 |
| | | | | 2 mm jacketed riser | X-2064844-X | 2064844-1 | 2064844-3 | 2064844-5 | 1-2064844-0 |
| | | LC | SC | 900 micron | X-2064845-X | 2064845-1 | 2064845-3 | 2064845-5 | 1-2064845-0 |
| | | | | 2 mm jacketed riser | X-2064846-X | 2064846-1 | 2064846-3 | 2064846-5 | 1-2064846-0 |
| | | LC | FC | 2 mm jacketed riser | X-2064847-X | 2064847-1 | 2064847-3 | 2064847-5 | 1-2064847-0 |
| | | LC / APC | LC / APC | 2 mm jacketed riser | X-2064869-X | 2064869-1 | 2064869-3 | 2064869-5 | 1-2064869-0 |
| | LC / APC | SC / APC | 2 mm jacketed riser | X-2064870-X | 2064870-1 | 2064870-3 | 2064870-5 | 1-2064870-0 | |
| | LC / APC | FC / APC | 2 mm jacketed riser | X-2064871-X | 2064871-1 | 2064871-3 | 2064871-5 | 1-2064871-0 | |
| | 50/125 Multimode | LC | LC | 2 mm jacketed riser | X-2064848-X | 2064848-1 | 2064848-3 | 2064848-5 | 1-2064848-0 |
| | | LC | SC | 2 mm jacketed riser | X-2064849-X | 2064849-1 | 2064849-3 | 2064849-5 | 1-2064849-0 |
| 62.5/125 Multimode | LC | LC | 900 micron | X-2064850-X | 2064850-1 | 2064850-3 | 2064850-5 | 1-2064850-0 | |
| | LC | LC | 2 mm jacketed riser | X-2064851-X | 2064851-1 | 2064851-3 | 2064851-5 | 1-2064851-0 | |
| Duplex | Singlemode | LC | LC | 2 mm jacketed riser | X-2064853-X | 2064853-1 | 2064853-3 | 2064853-5 | 1-2064853-0 |
| | | LC | SC | 2 mm jacketed riser | X-2064854-X | 2064854-1 | 2064854-3 | 2064854-5 | 1-2064854-0 |
| | | LC | ST | 2 mm jacketed riser | X-2064856-X | 2064856-1 | 2064856-3 | 2064856-5 | 1-2064856-0 |
| | | LC | LC | 2 mm jacketed riser | X-2064858-X | 2064858-1 | 2064858-3 | 2064858-5 | 1-2064858-0 |
| | | LC | SC | 2 mm jacketed riser | X-2064859-X | 2064859-1 | 2064859-3 | 2064859-5 | 1-2064859-0 |
| | | LC | ST | 2 mm jacketed riser | X-2064860-X | 2064860-1 | 2064860-3 | 2064860-5 | 1-2064860-0 |
| | 50/125 Multimode | LC | MT-RJ | 1.8 mm jacketed riser | X-2064861-X | 2064861-1 | 2064861-3 | 2064861-5 | 1-2064861-0 |
| | 50/125 OM3 10Gig Fiber | LC | LC | 2 mm jacketed riser | X-2064862-X | 2064862-1 | 2064862-3 | 2064862-5 | 1-2064862-0 |
| | | LC | SC | 2 mm jacketed riser | X-2064863-X | 2064863-1 | 2064863-3 | 2064863-5 | 1-2064863-0 |
| | 62.5/125 Multimode | LC | LC | 2 mm jacketed riser | X-2064865-X | 2064865-1 | 2064865-3 | 2064865-5 | 1-2064865-0 |
| LC | | SC | 2 mm jacketed riser | X-2064866-X | 2064866-1 | 2064866-3 | 2064866-5 | 1-2064866-0 | |
| LC | | ST | 2 mm jacketed riser | X-2064867-X | 2064867-1 | 2064867-3 | 2064867-5 | 1-2064867-0 | |
| LC | | MT-RJ | 1.8 mm jacketed riser | X-2064868-X | 2064868-1 | 2064868-3 | 2064868-5 | 1-2064868-0 | |

Additional lengths available. See TE specification 1206850 for more details.



LC Loopback Cables

| Simplex / Duplex | Cable Type | Side A | Side B | Jacket Type | Part Number |
|--------------------|--------------------|--------|--------|-------------|-------------|
| LC Loopback Cables | Singlemode | LC | N/A | N/A | 2064872-1 |
| | 62.5/125 Multimode | LC | N/A | N/A | 2064873-1 |
| | 50/125 Multimode | LC | N/A | N/A | 2064874-1 |

SC Loopback Cables

| Simplex / Duplex | Cable Type | Side A | Side B | Jacket Type | Part Number |
|--------------------|--------------------|--------|--------|-------------|-------------|
| SC Loopback Cables | Singlemode | SC | N/A | N/A | 5504883-1 |
| | 62.5/125 Multimode | SC | N/A | N/A | 5503141-2 |
| | 50/125 Multimode | SC | N/A | N/A | 5503141-1 |

Note: All part numbers are RoHS compliant.

Engineering Notes

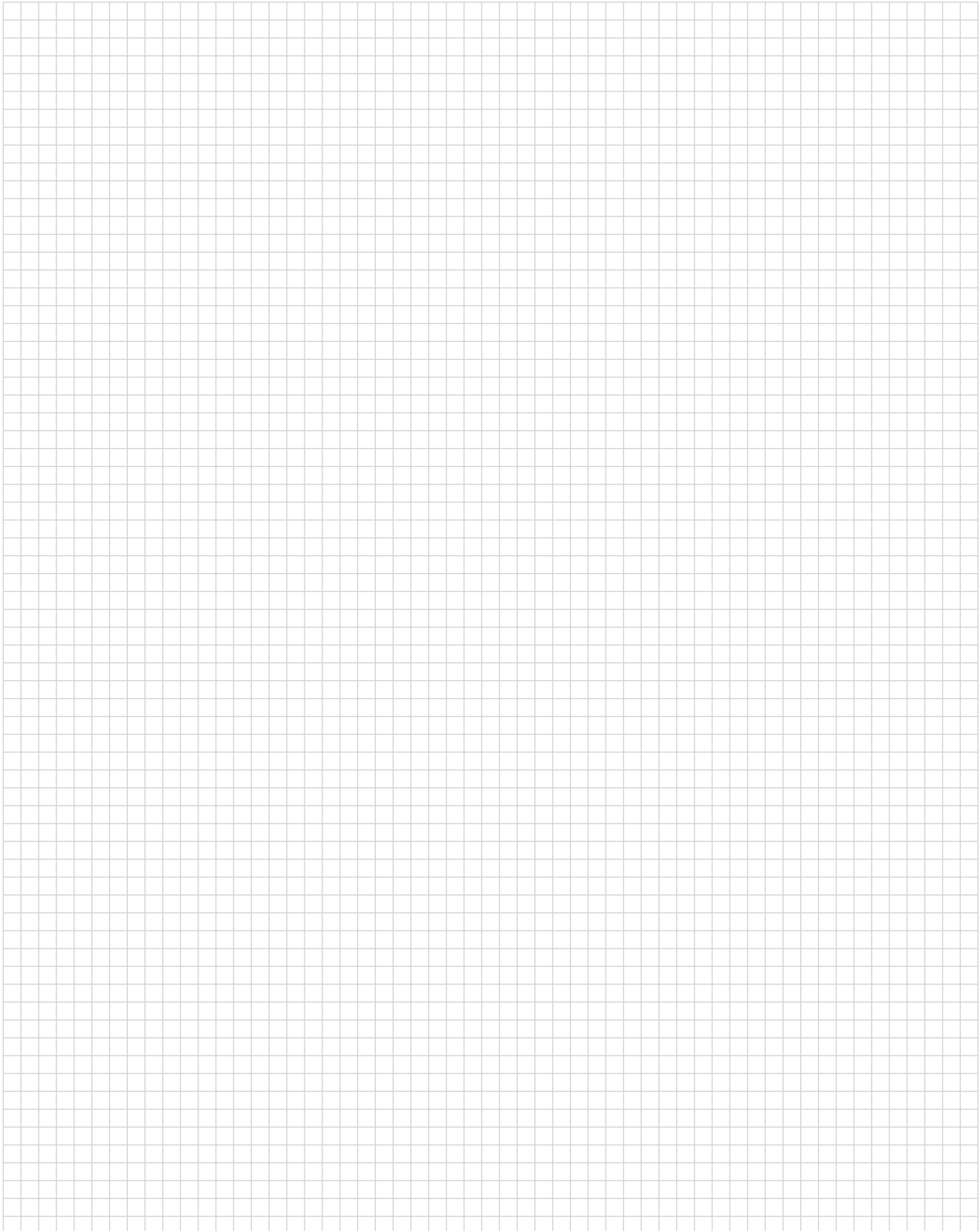


Table of Contents

| | |
|--|---------------|
| Section 2 — Connectors, Adapters, Tooling & Accessories | 29-60 |
| LC Connectors | 30-35 |
| LC Connector Kits | 30, 31 |
| LC Connector Components..... | 32, 33 |
| LC Adapters | 34, 35 |
| SC Connectors | 36-38 |
| SC Connector Kits | 36 |
| SC Connector Components | 37, 38 |
| SC Adapters | 39-41 |
| SC to SC Adapters | 39, 40 |
| SC to ST Hybrid Adapters | 40, 41 |
| Slide-On Retractable Cover for SC Simplex or Duplex Applications | 41 |
| ST Connectors and Adapters | 42-45 |
| ST Connector Kits..... | 42 |
| ST Connector Components | 43 |
| ST Active Device Mounts | 43 |
| FC Connectors | 44 |
| FC Connector Kits | 44 |
| FC Adapters | 44, 45 |
| FC to FC Adapters..... | 44 |
| FC to ST Hybrid Adapters | 45 |
| FC to SC Hybrid Adapters..... | 45 |
| ESCON Connector..... | 46 |
| FSMA Connector | 46 |
| FSMA Adapter..... | 46 |
| MT-RJ SECURE Connectors | 47 |
| LIGHTCRIMP PLUS Connector | 48 |
| Tooling..... | 49-56 |

ESCON is a trademark of IBM Corporation.

LC Connector Kits

LC Connector Kits — Standard Kits

Product Facts

- Singlemode Telcordia GR-326 Tested (Report 501-652)
- Multimode TIA/EIA 568B.3 tested
- Components packaged in 25 piece bags for easy access
- Same one-piece connector body for jumper and buffer
- Field installable duplex clip
- Compatible with anaerobic adhesives
- Mates with LC adapters (pages 34-35), LC Transceivers



Performance (typical)

Insertion Loss — 0.2dB
Reflectance — -55dB
Operating Temperature — -40° C to +75° C

Material

Ferrule — Zirconia
Housing — UL 94 V-0 rated thermoplastic

Length —

Ferrule Tip to End of Boot

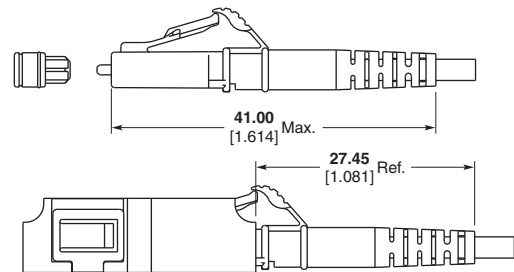
900 µm Buffered — 31.5 mm
2.0 mm Jacketed — 52.0 mm
3.0 mm Jacketed — 51.0 mm

| Description | Fiber Type | Housing Color | Boot Color | Used with | Assembly Pack Part Number |
|-------------|------------|---------------|------------|---------------------|---------------------------|
| Simplex | Singlemode | Blue | Blue | 900 µm Buffered | 2064937-1 |
| | | | | 1.6-2.0 mm Jacketed | 2064937-2 |
| | | | | 3.0 mm Jacketed | 2064937-3 |
| | Multimode | Beige | Beige | 900 µm Buffered | 2064938-1 |
| | | | | 1.6-2.0 mm Jacketed | 2064938-2 |
| | | | | 3.0 mm Jacketed | 2064938-3 |
| Duplex | Singlemode | Blue | Blue | 900 µm Buffered | 2-2064937-1 |
| | | | | 1.6-2.0 mm Jacketed | 2-2064937-2 |
| | | | | 3.0 mm Jacketed | 2-2064937-3 |
| | Multimode | Beige | Beige | 900 µm Buffered | 2-2064938-1 |
| | | | | 1.6-2.0 mm Jacketed | 2-2064938-2 |
| | | | | 3.0 mm Jacketed | 2-2064938-3 |

LC Connector Kits — Short Boot Kits

Product Facts

- Ferrule Tip to End of Boot Length: 42.5 mm
- 27.45 mm adapter to end of boot
- GR-326 small form factor requirements



| Description | Fiber Type | Housing Color | Boot Color | Used with | Installation Pack Part Number |
|-------------|------------|---------------|------------|---------------------|-------------------------------|
| Simplex | Singlemode | Blue | Blue | 1.6-2.0 mm Jacketed | 1918407-1 |
| | Multimode | Beige | Beige | 1.6-2.0 mm Jacketed | 1918405-1 |
| Duplex | Singlemode | Blue | Blue | 1.6-2.0 mm Jacketed | 1918406-1 |
| | Multimode | Beige | Beige | 1.6-2.0 mm Jacketed | 1918404-1 |

Note: All part numbers are RoHS compliant.

LC Connector Kits (Continued)

**LC Connector Kits —
Tight Jacketed Kits**

Product Facts

- Non pull-proof connector for use with tight jacketed fiber cable
- Allows jacket and buffer to move together to prevent micro-bends and fiber breakage
- LC Commercial Item Description (CID) interim approval by Naval Surface Warfare Center, Dahlgren Division
- Tested using MIL-PRF-85045/16 2.0 mm cable



Applications

- In flight networks
- Shipboard applications
- Aero market

Material

Ferrule — Zirconia
Housing — UL 94 V-0 rated thermoplastic

Length — Ferrule Tip to End of Boot: 52.0 mm

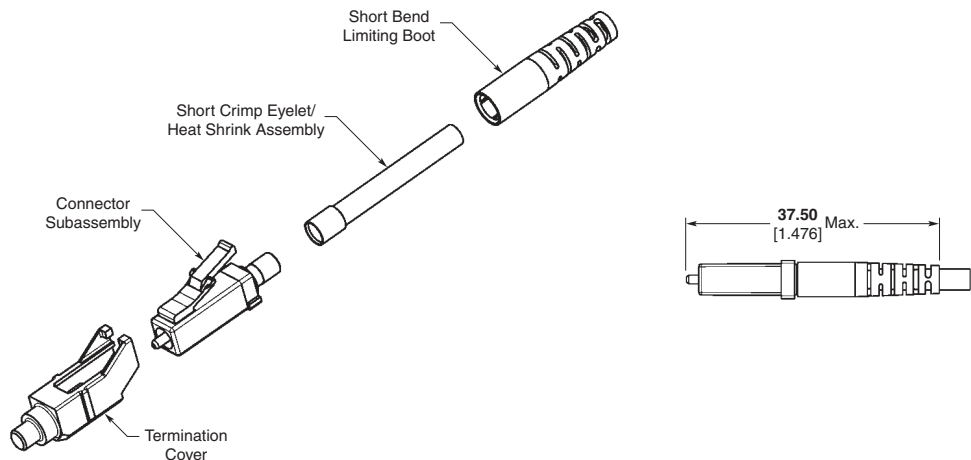
Engineering Report
502-1191

| Description | Fiber Type | Housing Color | Boot Color | Used with | Individual Pack Part Number | Bulk Pack Part Number |
|-------------|------------|---------------|------------|---------------------|-----------------------------|-----------------------|
| Simplex | Singlemode | Blue | Blue | 1.6-2.0 mm Jacketed | 6828095-1 | 6828095-2 |
| | | | | 2.4 mm Jacketed | 1918228-1 | 1918228-2 |
| | Multimode | Beige | Beige | 1.6-2.0 mm Jacketed | 6828094-1 | 6828094-2 |
| | | | | 2.4 mm Jacketed | 1918153-1 | 1918153-2 |
| Duplex | Singlemode | Blue | Blue | 1.6-2.0 mm Jacketed | 6828130-1 | 6828130-2 |
| | Multimode | Beige | Beige | 1.6-2.0 mm Jacketed | 6828129-1 | 6828129-2 |

**LC Connector Kits —
Ultra Short LC**

Product Facts

- Ferrule tip to end of boot length 37.5 mm
- GR-326 small form factor requirements
- Ideal for cabinets with limited space
- Call for details about duplex connectors

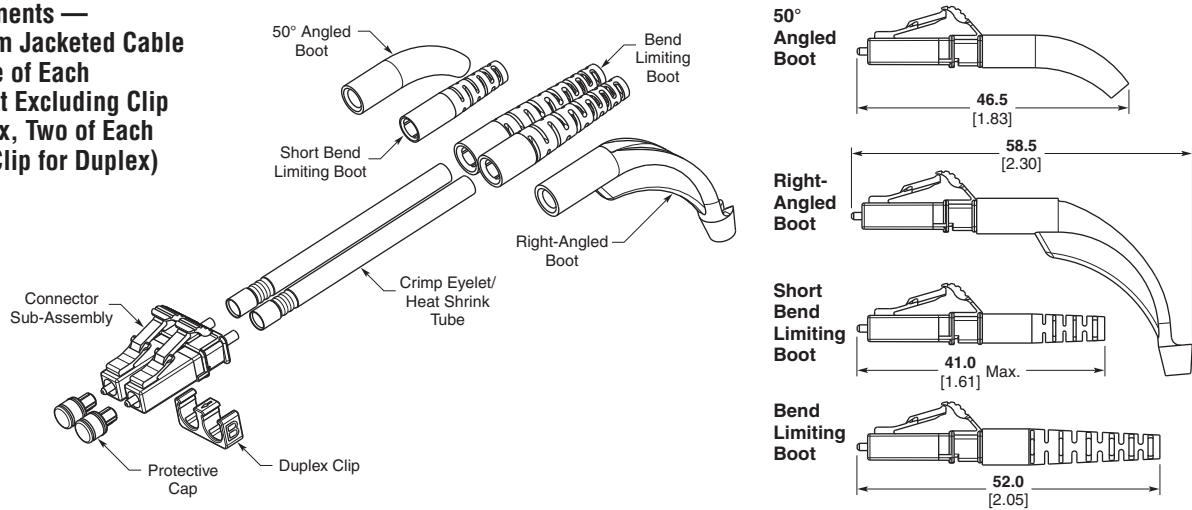


| Description | Fiber Type | Housing Color | Boot Color | Used with | Installation Pack Part Number |
|-------------|------------|---------------|------------|---------------------|-------------------------------|
| Simplex | Singlemode | Blue | Blue | 1.6-2.0 mm Jacketed | 2064687-1 |

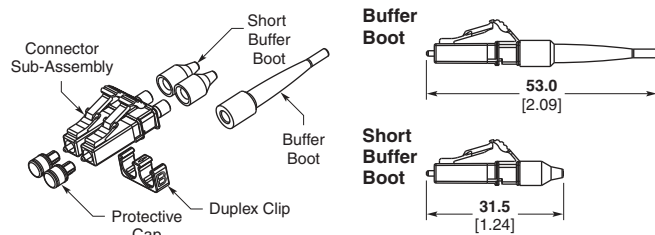
Note: All part numbers are RoHS compliant.

LC Connector Components

**LC Components —
1.6-2.4 mm Jacketed Cable
(Order One of Each
Component Excluding Clip
for Simplex, Two of Each
Plus One Clip for Duplex)**

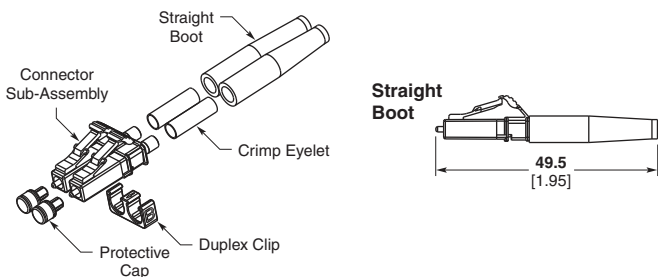


| Fiber Type | Simplex Connector Sub-Assembly & Protective Cap | Duplex Clip | Cable Size | Crimp Eyelet with Heat Shrink Tube | Boot Description | Boot Part Number (see chart page 33) |
|------------------------|---|-------------|------------|------------------------------------|---------------------|--------------------------------------|
| Singlemode (Blue Hsg.) | 1828456-1 | 1754371-4 | 1.6-2.0 mm | 1918918-2 | Short Bend Limiting | 1918403-x |
| | | | | | Bend Limiting | 1588153-x |
| | | | 2.4 mm | 6588189-1 | Right-Angled | 1374737-x |
| | | | | | Bend Limiting | 1588153-x |
| | | | | | 50 Degree Angled | 6457543-x |
| Multimode (Beige Hsg.) | 1754625-1 | 1754371-5 | 1.6-2.0 mm | 1918918-1 | Short Bend Limiting | 1918403-x |
| | | | | | Bend Limiting | 1588153-x |
| | | | 2.4 mm | 6588189-1 | Right-Angled | 1374737-x |
| | | | | | Bend Limiting | 1588153-x |
| | | | | | 50 Degree Angled | 6457543-x |



**LC Components — 900 μm Buffered Fiber
(Order One of Each Component Excluding Clip for Simplex,
Two of Each Plus One Clip for Duplex)**

| Fiber Type | Simplex Connector Sub-Assembly & Protective Cap | Duplex Clip | Boot Description | Boot Part Number (see chart page 33) |
|------------------------|---|-------------|------------------|--------------------------------------|
| Singlemode (Blue Hsg.) | 1828456-1 | 1754371-4 | Buffer | 1828184-x |
| | | | Short Buffer | 6588612-x |
| Multimode (Beige Hsg.) | 1754625-1 | 1754371-5 | Buffer | 1828184-x |
| | | | Short Buffer | 6588612-x |



**LC Components — 3.0 mm Jacketed Cable
(Order One of Each Component Excluding Clip for Simplex,
Two of Each Plus One Clip for Duplex)**

| Fiber Type | Simplex Connector Sub-Assembly & Protective Cap | Duplex Clip | Crimp Eyelet | Boot Part Number (see chart page 33) |
|------------------------|---|-------------|--------------|--------------------------------------|
| Singlemode (Blue Hsg.) | 1828456-1 | 1754371-4 | 5504118-3 | 502716-x |
| Multimode (Beige Hsg.) | 1754625-1 | 1754371-5 | 5504118-3 | 502716-x |

Instruction Sheet: 408-8675

Note: All part numbers are RoHS compliant.

**LC Components —
1.6 to 2.4 mm Boots**



**Short Bend Limiting Boot for
1.6 to 2.0 mm Cable**

| Base Part Number | Beige | Blue | Black |
|------------------|-------|------|-------|
| 1918403 | -2 | -1 | — |



**Right-Angled Boot for
1.6 to 2.4 mm Cable**

| Base Part Number | Beige | Blue | Black |
|------------------|-------|------|-------|
| 1374737 | -2 | -1 | -3 |



**Bend Limiting Boot for
1.6 to 2.4 mm Cable**

| Base Part Number | Beige | Blue | Black |
|------------------|-------|------|-------|
| 1588153 | -5 | -2 | -3 |



**50 Degree Angle Boot for
1.6 to 2.4 mm Cable**

| Base Part Number | Beige | Blue | Black |
|------------------|-------|------|-------|
| 6457543 | -1 | -2 | -4 |

**LC Components —
900 µm Boots**



Buffer 900 µm Boot

| Base Part Number | Beige | Blue | Black |
|------------------|-------|------|-------|
| 1828184 | -4 | -1 | -2 |



Short Buffer 900 µm Boot

| Base Part Number | Beige | Blue | Black |
|------------------|-------|------|-------|
| 6588612 | -1 | -2 | -5 |

**LC Components —
3.0 mm Boots**



Straight Boot for 3.0 mm Cable

| Base Part Number | Beige | Blue | Black |
|------------------|-------|------|-------|
| 502716 | -3 | -4 | -1 |

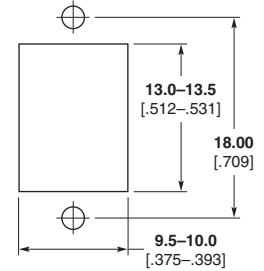
Note: All part numbers are RoHS compliant.

LC Adapters

LC Duplex Adapter for SC Cutout — Plastic



| Alignment Sleeve Material | Description | Housing Color | Part Numbers | |
|---------------------------|-------------|---------------|--------------|-------------|
| Metal | Flanged | Beige | 6457567-8 | |
| | | Black | 2-6457567-1 | |
| | | Aqua | 2-6457567-0 | |
| | Flangeless | Blue | 1-6457567-3 | |
| | | Beige | 6457567-7 | |
| | | Black | 1-6457567-9 | |
| Ceramic | Flanged | Aqua | 1-6457567-8 | |
| | | Beige | 6457567-5 | |
| | | Black | 1-6457567-7 | |
| | Flangeless | Aqua | 1-6457567-6 | |
| | | Blue | 6457567-4 | |
| | | Green | 6457567-6 | |
| | Ceramic | Flangeless | Beige | 6457567-2 |
| | | | Black | 1-6457567-5 |
| | | | Aqua | 1-6457567-4 |
| Flangeless | | Blue | 6457567-1 | |
| | | Green | 6457567-3 | |

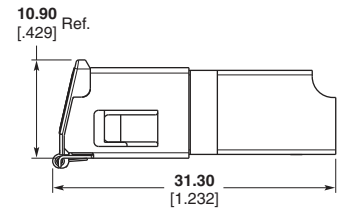


Recommended Panel Cutout
Max. Panel Thk. 1.70 [0.067]

Shuttered LC Duplex Adapter for SC Cutout — Plastic

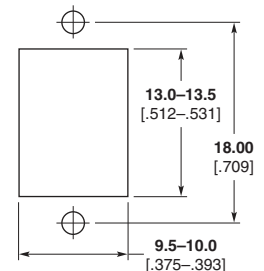


| Alignment Sleeve Material | Description | Housing Color | Shutter Label Color | Part Number |
|---------------------------|-------------|---------------|---------------------|-------------|
| Ceramic | Flanged | Beige | Beige | 2064658-5 |
| | | Black | Beige | 1-2064658-7 |
| | | Aqua | Aqua | 1-2064658-6 |
| | Flangeless | Blue | Blue | 2064658-4 |
| | | Green | Green | 2064658-6 |
| | | Beige | Beige | 2064752-2 |
| Ceramic | Flangeless | Black | Beige | 1-2064752-3 |
| | | Aqua | Aqua | 1-2064752-4 |
| | Flangeless | Blue | Blue | 2064752-1 |
| | | Green | Green | 2064752-3 |



LC Duplex Adapter for SC Cutout — Metal

| Alignment Sleeve Material | Description | Housing Color | Part Number |
|---------------------------|----------------------------|--------------------|-------------|
| Ceramic | Flanged | Electroless Nickel | 1754683-1 |
| | Flangeless | | 1754682-1 |
| | Flanged with Shutter | | 2064685-1 |
| | Flangeless with EMI Shield | | 1754727-1 |



Recommended Panel Cutout
Max. Panel Thk. 1.70 [0.067]

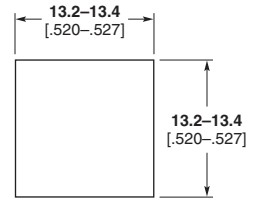
Note: All part numbers are RoHS compliant.

LC Adapters (Continued)



LC Duplex Adapter for LC Cutout — Plastic

| Alignment Sleeve Material | Description | Housing Color | Part Numbers |
|---------------------------|--------------|---------------|--------------|
| Metal | Duplex Sr-Jr | Beige | 1985150-4 |
| | | Blue | 1985150-3 |
| | Duplex Sr-Sr | Beige | 1985149-4 |
| | | Blue | 1985149-3 |
| Ceramic | Duplex Sr-Jr | Beige | 1985150-2 |
| | | Blue | 1985150-1 |
| | Duplex Sr-Sr | Beige | 1985149-2 |
| | | Blue | 1985149-1 |

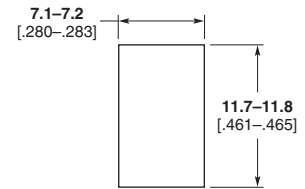


Recommended Panel Cutout
Panel Thk. 1.2/1.7 [0.047/0.067]



LC Simplex Adapter — Plastic

| Alignment Sleeve Material | Description | Housing Color | Part Numbers |
|---------------------------|-----------------|---------------|--------------|
| Ceramic | Simplex Adapter | Beige | 1457062-2 |
| | | Blue | 1457062-1 |



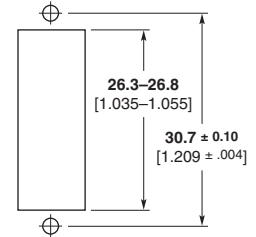
Recommended Panel Cutout
Panel Thk. 1.2/1.7 [0.047/0.067]



LC Quad Adapter — Plastic Flanged

| Alignment Sleeve Material | Description | Housing Color | Part Numbers |
|---------------------------|-------------|---------------|--------------|
| Metal | Flanged | Beige | 1695790-5 |
| Ceramic | Flanged | Blue | 1695790-4 |

Note: All part numbers are RoHS compliant.



Recommended Panel Cutout
Max. Panel Thk. 1.7 [0.067]

Note: All part numbers are RoHS compliant.

SC Connector Kits

SC Connector Kits — Standard Kits

Product Facts

- Compliant with
 - JIS C-5973
 - Fibre Channel
 - TIA FOCIS-3
- One-piece connector body
- Compatible with anaerobic adhesives
- Instruction Sheet 408-8674
- Components packaged in 25 piece bags for easy access
- Field installable duplex clip (6348522-1) available
- Mates with SC adapters (pages 39-41), SC Transceivers



Performance (typical)

Insertion Loss — 0.2dB
 Reflectance — -55dB
 Operating Temperature — -40° C to +75° C

Material

Ferrule — Zirconia
 Housing and Connector Body — UL 94 V-0 rated thermoplastic

Length — Ferrule Tip to End of Boot

900 µm Buffered — 54 mm
 2.0 mm Jacketed — 50 mm
 3.0 mm Jacketed — 50 mm

| Description | Fiber Type | Housing Color | Boot Color | Used with | Assembly Pack Part Number |
|-------------|------------|---------------|------------|-----------------|---------------------------|
| Simplex | Singlemode | Blue | Blue | 900 µm Buffered | 2064939-1 |
| | | | | 2.0 mm Jacketed | 2064939-2 |
| | | | | 3.0 mm Jacketed | 2064939-3 |
| | Multimode | Beige | Beige | 900 µm Buffered | 2064940-1 |
| | | | | 2.0 mm Jacketed | 2064940-2 |
| | | | | 3.0 mm Jacketed | 2064940-3 |
| Duplex | Singlemode | Blue | Blue | 2.0 mm Jacketed | 5504936-2 |
| | | | | 3.0 mm Jacketed | 5504655-2 |
| | | | | 2.0 mm Jacketed | 5504927-1 |
| | Multimode | Beige | Beige | 3.0 mm Jacketed | 5504657-1 |

SC Connector Kits — Tight Jacketed Kits

Product Facts

- Non pull-proof connector for use with tight jacketed fiber cable
- Allows jacket and buffer to move together to prevent micro-bends and fiber breakage
- SC Commercial Item Description (CID) interim approval by Naval Surface Warfare Center, Dahlgren Division
- Tested using MIL-PRF-85045/16 2.0 mm cable



Material

Ferrule — Zirconia
 Housing — UL 94 V-0 rated thermoplastic

Length — Ferrule Tip to End of Boot: 57.0 mm

Engineering Report
 502-1191

| Description | Fiber Type | Housing Color | Boot Color | Used with | Individual Pack Part Number | Bulk Pack Part Number |
|-------------|------------|---------------|------------|---------------------|-----------------------------|-----------------------|
| Simplex | Singlemode | Blue | Blue | 1.6-2.0 mm Jacketed | 6828100-1 | 6828100-2 |
| | | | | 2.4 mm Jacketed | 1918227-1 | 1918227-2 |
| | Multimode | Beige | Beige | 1.6-2.0 mm Jacketed | 6828099-1 | 6828099-2 |
| | | | | 2.4 mm Jacketed | 1918154-1 | 1918154-2 |
| Duplex | Singlemode | Blue | Blue | 1.6-2.0 mm Jacketed | 1828573-1 | 1828573-2 |
| | Multimode | Beige | Beige | 1.6-2.0 mm Jacketed | 1828574-1 | 1828574-2 |

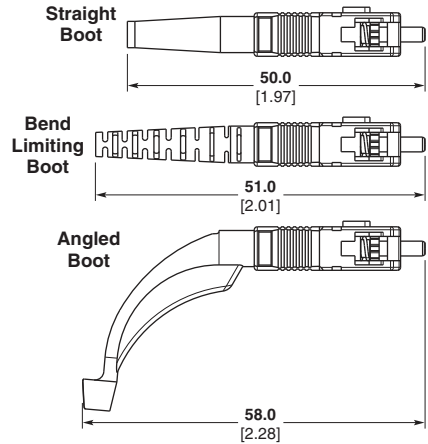
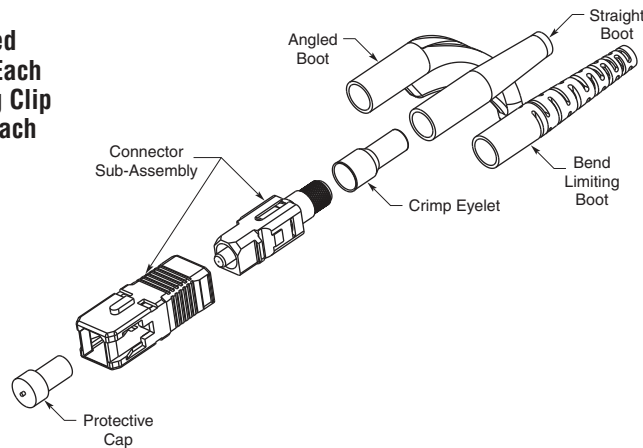
Applications

- In flight networks
- Shipboard applications
- Aero market

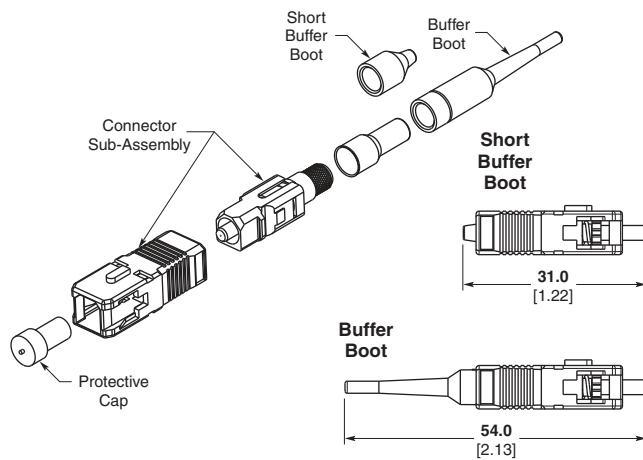
Note: All part numbers are RoHS compliant.

SC Connector Components

**SC Components —
2.0 – 3.0 mm Jacketed
Cable (Order One of Each
Component Excluding Clip
for Simplex, Two of Each
for Duplex)**



| Fiber Type | Simplex Connector Sub-Assembly & Protective Cap | Duplex Clip | Cable Size | Crimp Eyelet | Boot Description | Boot Part Number (see chart page 38) |
|---------------------------------|---|-------------|------------|--------------|------------------|--------------------------------------|
| Singlemode (Blue Outer Hsg.) | 5492123-7 | 6348522-1 | 2.0 mm | 503970-9 | Straight | 5503971-x |
| | | | 2.4 mm | 503970-6 | Straight | 5503971-x |
| | | | 3.0 mm | 503970-3 | Straight | 5503971-x |
| | | | | | Bend Limiting | 1588491-x |
| | | | | | Angled | 1278705-x |
| Multimode (Beige Outer Hsg.) | 5503948-7 | 6348522-1 | 2.0 mm | 503970-9 | Straight | 5503971-x |
| | | | 2.4 mm | 503970-6 | Straight | 5503971-x |
| | | | 3.0 mm | 503970-3 | Straight | 5503971-x |
| | | | | | Bend Limiting | 1588491-x |
| | | | | | Angled | 1278705-x |



**SC Components — 900 μm Buffered Fiber
(Order One of Each Component Excluding Clip for Simplex,
Two of Each for Duplex)**

| Fiber Type | Simplex Connector Sub-Assembly & Protective Cap | Duplex Clip | Boot Description | Boot Part Number (see chart page 38) |
|---------------------------------|---|-------------|------------------|--------------------------------------|
| Singlemode (Blue Outer Hsg.) | 5492123-7 | 6348522-1 | Short Buffer | 6278309-x |
| | | | Buffer | 6457493-x |
| Multimode (Beige Outer Hsg.) | 5503948-7 | 6348522-1 | Short Buffer | 6278309-x |
| | | | Buffer | 6457493-x |

**SC Components —
Duplex Clip**



**SC Duplex Clip (Black)
Part Number 6348522-1**

Use 2 pieces to create one clip for duplexing simplex housings

Note: All part numbers are RoHS compliant.

SC Connector Components (Continued)

**SC Components —
2.0 to 3.0 mm Boots**



Straight Boot for 2.0 to 3.0 mm Cable

| Cable Size | Beige | Blue | Black | Red |
|------------|-----------|-----------|-------------|-------------|
| 2.0 mm | 5503971-5 | 5503971-6 | 2-5503971-3 | 2-5503971-7 |
| 2.4 mm | 5503971-3 | 5503971-4 | 1-5503971-2 | 1-5503971-3 |
| 3.0 mm | 5503971-1 | 5503971-2 | 1-5503971-0 | 1-5503971-1 |



Bend Limiting Boot for 3.0 mm Cable

| Base Part Number | Beige | Blue | Black |
|------------------|-------|------|-------|
| 1588491 | -5 | -2 | — |



Angled Boot for 3.0 mm Cable

| Base Part Number | Beige | Blue | Black |
|------------------|-------|------|-------|
| 1278705 | -2 | -1 | -3 |

**SC Components —
900 μm Boots**



Buffer 900 μm Boot

| Base Part Number | Beige | Blue | Black |
|------------------|-------|------|-------|
| 6457493 | -9 | -1 | -3 |



Short Buffer 900 μm Boot

| Base Part Number | Beige | Blue | Black |
|------------------|-------|------|-------|
| 6278309 | — | -2 | -1 |

Note: All part numbers are RoHS compliant.

SC Adapters

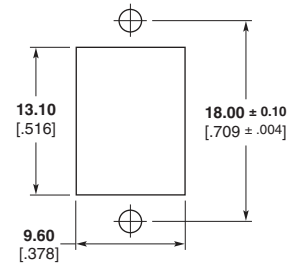
SC to SC Adapters



SC Simplex Adapter — Plastic

SC Simplex Adapter — Plastic

| Alignment Sleeve Material/Application | Housing Color | Part Numbers |
|---------------------------------------|---------------|--------------|
| Metal/MM only | Beige | 5504614-1 |
| | Black | 5504614-4 |
| | Aqua | 5504614-3 |
| Metal | Beige | 5502632-9 |
| | Black | 5502632-7 |
| | Aqua | 2-5502632-3 |
| Ceramic | Blue | 5502632-8 |
| | Beige | 1-5502632-2 |
| | Black | 1-5502632-0 |
| | Aqua | 2-5502632-4 |
| Ceramic/APC | Blue | 1-5502632-1 |
| | Green | 1828028-2 |



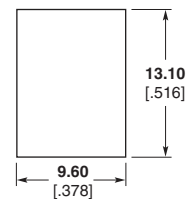
Recommended Panel Cutout
Max. Panel Thk. 1.7 [0.067]



Flangeless SC Simplex Adapter — Plastic

Flangeless SC Simplex Adapter — Plastic

| Alignment Sleeve Material | Housing Color | Part Numbers |
|---------------------------|---------------|--------------|
| Metal | Black | 5504632-1 |
| | Blue | 5504632-3 |
| Ceramic | Black | 5504632-2 |
| | Aqua | 5504632-6 |
| | Blue | 5504632-4 |
| | Green | 5504632-5 |



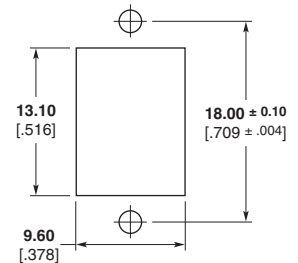
Recommended Panel Cutout
Max. Panel Thk. 1.7 [0.067]



SC Simplex Adapter — Metal

SC Simplex Adapter — Metal

| Alignment Sleeve Material | Housing Color | Part Numbers |
|---------------------------|--------------------|--------------|
| Metal | Electroless Nickel | 6278348-1 |
| Ceramic | Electroless Nickel | 6278348-3 |



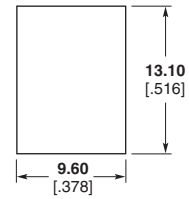
Recommended Panel Cutout
Max. Panel Thk. 1.7 [0.067]



Flangeless SC Simplex Adapter — Metal

Flangeless SC Simplex Adapter — Metal

| Alignment Sleeve Material | Housing Color | Part Numbers |
|---------------------------|--------------------|--------------|
| Metal | Electroless Nickel | 6278348-5 |
| Ceramic | Electroless Nickel | 6278348-7 |



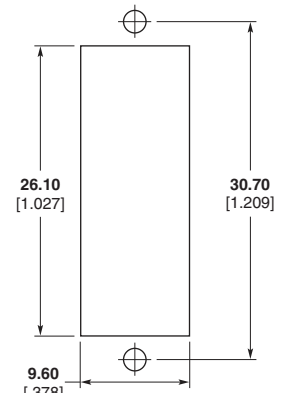
Recommended Panel Cutout
Max. Panel Thk. 1.7 [0.067]



SC Duplex Adapter — Plastic

SC Duplex Adapter — Plastic

| Alignment Sleeve Material/Application | Housing Color | Part Numbers |
|---------------------------------------|---------------|--------------|
| Metal/MM only | Beige | 5504640-1 |
| | Black | 5504640-4 |
| | Aqua | 5504640-6 |
| Metal | Beige | 5502776-9 |
| | Black | 5502776-7 |
| | Aqua | 2-5502776-5 |
| | Blue | 5502776-8 |
| Ceramic | Beige | 1-5502776-2 |
| | Black | 1-5502776-0 |
| | Aqua | 2-5502776-6 |
| | Blue | 1-5502776-1 |
| Ceramic/APC | Green | 2-5502776-3 |



Recommended Panel Cutout
Max. Panel Thk. 1.7 [0.067]

Note: All part numbers are RoHS compliant.

SC Adapters (Continued)

SC to SC Adapters (Continued)



SC Duplex Adapter



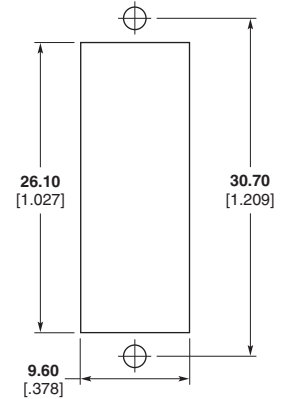
SC Duplex Metal Adapter
w/ EMI Shielding

SC Duplex Adapter — Metal

| Alignment Sleeve Material | Housing Color | Part Numbers |
|---------------------------|--------------------|--------------|
| Metal | Electroless Nickel | 6278049-1 |
| Ceramic | Electroless Nickel | 6278049-3 |

Shielded SC Duplex Adapter — Metal

| Alignment Sleeve Material | Housing Color | Part Numbers |
|---------------------------|--------------------|--------------|
| Metal | Electroless Nickel | 6374223-1 |
| Ceramic | Electroless Nickel | 6374223-3 |



Recommended Panel Cutout
Max. Panel Thk. 1.7 [0.067] For
SC Duplex Adapter — Metal and
Shielded SC Duplex Adapter —
Metal

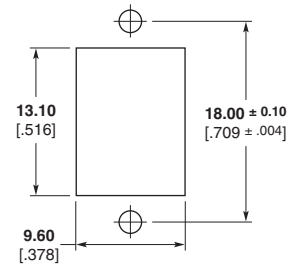
SC to ST Hybrid Adapters



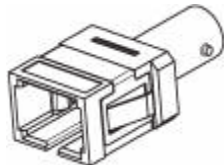
SC to ST Simplex Adapter —
Plastic

SC to ST Simplex Adapter — Plastic

| Alignment Sleeve Material | Housing Color | Part Numbers |
|---------------------------|---------------|--------------|
| Metal | Beige | 5502780-3 |
| | Black | 5502780-1 |
| | Aqua | 2-5502780-0 |
| | Blue | 5502780-2 |
| Ceramic | Beige | 5502780-6 |
| | Black | 5502780-4 |
| | Aqua | 2-5502780-1 |
| | Blue | 5502780-5 |



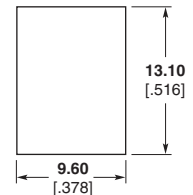
Recommended Panel Cutout
Max. Panel Thk. 1.7 [0.067]



Flangeless SC to ST Simplex
Adapter — Plastic

Flangeless SC to ST Simplex Adapter — Plastic

| Alignment Sleeve Material | Housing Color | Part Numbers |
|---------------------------|---------------|--------------|
| Metal | Black | 5504634-1 |
| Ceramic | Black | 5504634-2 |



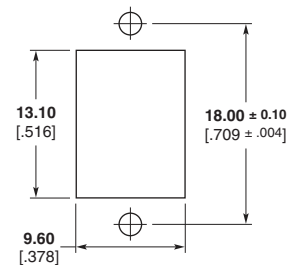
Recommended Panel Cutout
Max. Panel Thk. 1.7 [0.067]



SC to ST Simplex Adapter —
Metal

SC to ST Simplex Adapter — Metal

| Alignment Sleeve Material | Housing Color | Part Numbers |
|---------------------------|--------------------|--------------|
| Metal | Electroless Nickel | 6278350-1 |
| Ceramic | Electroless Nickel | 6278350-3 |



Recommended Panel Cutout
Max. Panel Thk. 1.7 [0.067]

Note: All part numbers are RoHS compliant.

SC Adapters (Continued)

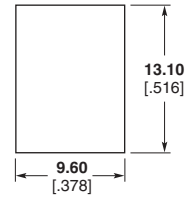
SC to ST Hybrid Adapters
(Continued)



Flangeless SC to ST Simplex Adapter — Metal

Flangeless SC to ST Simplex Adapter — Metal

| Alignment Sleeve Material | Housing Color | Part Numbers |
|---------------------------|--------------------|--------------|
| Metal | Electroless Nickel | 6278350-5 |
| Ceramic | Electroless Nickel | 6278350-7 |



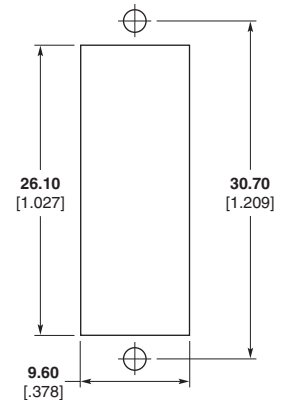
Recommended Panel Cutout
Max. Panel Thk. 1.7 [.067]



SC to ST Duplex Adapter — Plastic

SC to ST Duplex Adapter — Plastic

| Alignment Sleeve Material | Housing Color | Part Numbers |
|---------------------------|---------------|--------------|
| Metal (MM Only) | Beige | 5504663-4 |
| | Black | 5504663-6 |
| | Aqua | 5504663-5 |
| Metal | Beige | 5503137-3 |
| | Black | 5503137-1 |
| | Aqua | 2-5503137-1 |
| | Blue | 5503137-2 |
| Ceramic | Beige | 5503137-6 |
| | Black | 5503137-4 |
| | Aqua | 1-5503137-9 |
| | Blue | 5503137-5 |



Recommended Panel Cutout
Max. Panel Thk. 1.7 [.067]



SC to ST Duplex Adapter — Metal

SC to ST Duplex Adapter — Metal

| Alignment Sleeve Material | Housing Color | Part Numbers |
|---------------------------|--------------------|--------------|
| Metal | Electroless Nickel | 6278051-1 |
| Ceramic | Electroless Nickel | 6278051-3 |

Slide-on Retractable Cover for SC Simplex or Duplex Applications

These retractable doors slip onto the end of existing TE adapters and can be mounted after the adapter has already been installed.



Part Number 1693539-1 — Blue Simplex SC



Part Number 1693540-1 — Blue Duplex SC

Part Number 1693539-2 — Beige Simplex SC

Part Number 1693540-2 — Beige Duplex SC

Note: All part numbers are RoHS compliant.

ST Connector Kits

ST Connector Kits — Ceramic Ferrules

Singlemode Ceramic

Insertion Loss — 0.3dB

Reflectance — -40dB

Operating Temperature — -20° C to +75° C

Durability — 200 Cycles

Multimode Ceramic

Insertion Loss — 0.3dB

Operating Temperature — -20° C to +75° C

Durability — 500 Cycles



Length —

Ferrule Tip to End of Boot

900 μm Buffered — 56.4 mm

3.0 mm Jacketed — 47.25 mm

3.0 mm Right-Angle — 58.0 mm

Instruction Sheet

408-9971

| Fiber Type | Body | Coupling Nut | Boot Color | Used with | Individual Pack Part Number |
|------------|---------------------|--------------|----------------------------------|--|-----------------------------|
| Singlemode | Nickel-plated Brass | Zinc | Yellow (900 μm) | 900 μm Buffered 250 μm Buffered | 5503613-2 |
| | | | Yellow (3.0 mm) | 900 μm Buffered 250 μm Buffered 3.0 mm Cable | 5502580-2 |
| Multimode | Polymer | Polymer | Black (3.0 mm) | 900 μm Buffered 3.0 mm Cable | 503571-1 |
| | Nickel-plated Brass | Zinc | Black (900 μm) Black (3.0 mm) | 900 μm Buffered 3.0 mm Cable | 5492458-1 |
| | | | Black (Right-Angle) | 900 μm Buffered 3.0 mm Cable | 5502674-1 |

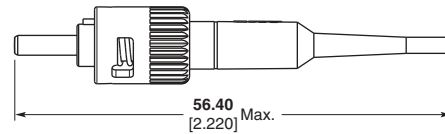
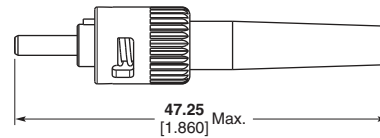
ST Connector Kits — Polymer Ferrule

Multimode Polymer Composite

Insertion Loss — 0.3dB

Operating Temperature — -20° C to +75° C

Durability — 500 Cycles

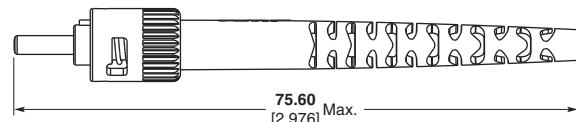


Instruction Sheet

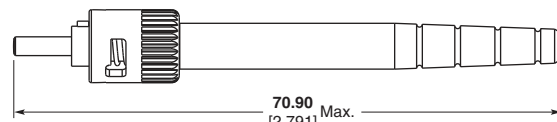
408-9971

| Fiber Type | Body | Coupling Nut | Boot Color | Used with | Individual Pack Part Number |
|------------|---------|--------------|----------------------------------|--|-----------------------------|
| Multimode | Polymer | Polymer | Black (900 μm) Black (3.0 mm) | 900 μm Buffered 250 μm Buffered 3.0 mm Cable | 5503415-1 |

ST Connector Kits — Stainless Steel Ferrule



Bend Limiting Boot



Long Boot

Multimode Stainless Steel

Insertion Loss — 0.3dB

Operating Temperature — -30° C to +70° C

Durability — 500 Cycles

Instruction Sheet

408-4151

| Fiber Type | Body | Coupling Nut | Ferrule Designation | Boot Color | Used with | Part Number |
|------------|---------------------|--------------|---------------------|-----------------------|--------------|-------------|
| Multimode | Nickel-plated Brass | Zinc | 125 | Black (Bend Limiting) | 3.0 mm Cable | 5504008-3 |
| | | | 125 | Black (Long) | 4.3 mm Cable | 5504008-4 |
| | | | 140 | Black (Bend Limiting) | 3.0 mm Cable | 5504008-7 |
| | | | 231 | Black (Bend Limiting) | 3.0 mm Cable | 1-5504008-4 |
| | | | 240 | Black (Bend Limiting) | 3.0 mm Cable | 1-5504008-3 |
| | | | 280 | Black (Bend Limiting) | 3.0 mm Cable | 4-5504008-6 |

Note: All part numbers are RoHS compliant.

**ST Components —
2.0 to 3.0 mm Boots**

ST Connector Components



Straight Boot for 2.0 to 3.0 mm Cable

| Cable Size | Beige | Blue | Black |
|------------|----------|----------|----------|
| 2.0 mm | 503219-4 | 503219-5 | 503219-1 |
| 3.0 mm | 501457-4 | 501457-5 | 501457-1 |



Bend Limiting Boot for 3.0 mm Cable

| Base Part Number | Beige | Blue | Black |
|------------------|-------|------|-------|
| 502128 | -4 | -7 | -1 |



Right Angled Boot for 3.0 mm Cable

| Base Part Number | Beige | Blue | Black |
|------------------|-------|------|-------|
| 5502667 | -3 | -2 | -1 |



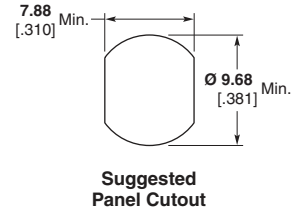
Buffer 900 μm Boot

| Base Part Number | Beige | Blue | Black |
|------------------|-------|------|-------|
| 5503628 | -19 | -8 | -1 |

ST Coupling Receptacles



| Alignment Sleeve Material | Part Number |
|-------------------------------|-------------|
| Polymer Composite (Multimode) | 501381-1 |
| Metal (Multimode) | 504021-1 |
| Ceramic (Singlemode) | 502750-1 |



ST Active Device Mounts — Multimode

Product Facts

- Designed to accept multimode TO-18, TO-46 and TO-52 active devices
- Nickel plated, die cast zinc
- Mount to PCB or through panel
- Includes positioning ring



| Description | Packaging | Height | Part Number |
|-----------------|--------------|--------|-------------|
| Standard height | Single | .410 | 5501474-1 |
| Low profile | Single | .280 | 5502585-2 |
| Low profile | Single (100) | .314 | 5504022-2 |
| Low profile | Bulk (50) | .314 | 5504022-3 |

Note: All part numbers are RoHS compliant.

FC Connector Kits

FC Connector Kits — Ceramic Ferrules



Singlemode Ceramic
Insertion Loss — 0.2dB
Reflectance — -59dB
Durability — 200 Cycles

Length — Ferrule Tip to End of Boot
900 μm buffered — 35.0 mm
2.0 mm jacketed — 51.0 mm
3.0 mm jacketed — 51.0 mm

Instruction Sheet
 408-8674

FC Connector Kits — Standard Kits

| Fiber Type | Boot Color | Used with | Part Number |
|------------|------------|-----------------|-------------|
| Singlemode | Blue | 900 μm Buffered | 6754264-2 |
| | | 2.0 mm Jacketed | 5504915-2 |
| | | 3.0 mm Jacketed | 5504649-1 |

FC Adapters

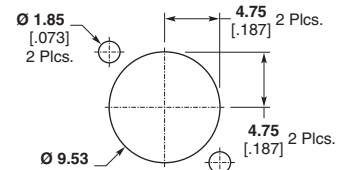
FC to FC Adapters



FC Square Flange Adapter

FC Simplex Square Flange Adapter — Metal

| Alignment Sleeve Material | Panel Cut-out | Keyway Slot (Nom.) | Part Numbers |
|---------------------------|---------------|--------------------|--------------|
| Metal | Square Flange | Std. | 5501506-2 |
| | | 2.33 mm | |
| Ceramic | Square Flange | Std. | 5501506-1 |
| | | 2.33 mm | |



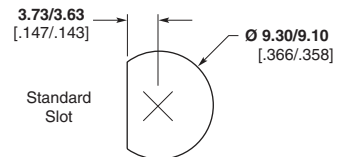
Recommended Panel Cutout
 Max. Panel Thk. 1.70 [.067]



FC 8 mm/9 mm Dia. Round

FC Simplex 8 mm/9 mm Dia. Round (D-Hole) Adapter — Metal

| Alignment Sleeve Material | Panel Cut-out | Keyway Slot (Nom.) | Part Numbers |
|---------------------------|---------------|--------------------|--------------|
| Metal (Copper) | D-Hole | Std. | 5504407-1 |
| | | 2.33 mm | |
| Ceramic | D-Hole | Std. | 5504407-3 |
| | | 2.33 mm | |
| Ceramic/APC | D-Hole | 2.05 mm Type R | 5504407-8 |
| | | Prec. 2.02 mm | |



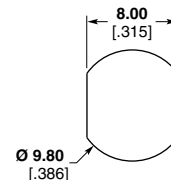
Recommended Panel Cutout
 Max. Panel Thk. 1.65 [.065]



FC 8 mm Dia. Round (Double D)

FC Simplex 8 mm Dia. Round (Double D-Hole) Adapter — Metal

| Alignment Sleeve Material | Panel Cut-out | Keyway Slot (Nom.) | Part Numbers |
|---------------------------|---------------|--------------------|--------------|
| Metal | Double D-Hole | Std. 2.33 mm | 5504013-1 |



Recommended Panel Cutout
 Max. Panel Thk. 1.65 [.065]

Note: All part numbers are RoHS compliant.

FC Adapters (Continued)

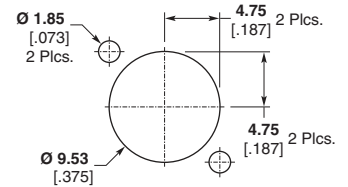
FC to ST Hybrid Adapters



FC to ST Simplex Adapter — Metal

Hybrid FC to ST Simplex Adapter — Metal

| Alignment Sleeve Material | Housing Color | Part Numbers |
|---------------------------|--------------------|--------------|
| Metal | Electroless Nickel | 5503640-1 |
| Ceramic | Electroless Nickel | 5503640-2 |



Recommended Panel Cutout
Max. Panel Thk. 1.70 [.067]

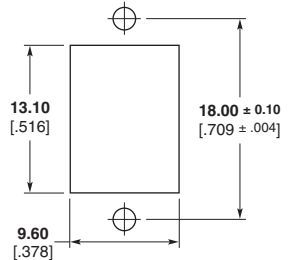
FC to SC Hybrid Adapters



SC to FC Simplex Adapter — Plastic

SC to FC Simplex Adapter — Plastic

| Alignment Sleeve Material | Housing Color | Part Numbers |
|---------------------------|---------------|--------------|
| Metal | Black | 5502781-1 |
| Ceramic | Black | 5502781-4 |



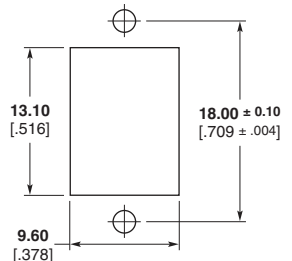
Recommended Panel Cutout
Max. Panel Thk. 1.7 [.067]



SC to FC Simplex Adapter — Metal

SC to FC Simplex Adapter — Metal

| Alignment Sleeve Material | Housing Color | Part Numbers |
|---------------------------|--------------------|--------------|
| Metal | Electroless Nickel | 6278349-1 |
| Ceramic | Electroless Nickel | 6278349-3 |



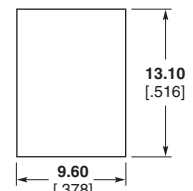
Recommended Panel Cutout
Max. Panel Thk. 1.7 [.067]



Flangeless SC to FC Simplex Adapter — Metal

Flangeless Simplex Adapter — Metal

| Alignment Sleeve Material | Housing Color | Part Numbers |
|---------------------------|--------------------|--------------|
| Metal | Electroless Nickel | 6278349-5 |
| Ceramic | Electroless Nickel | 6278349-7 |



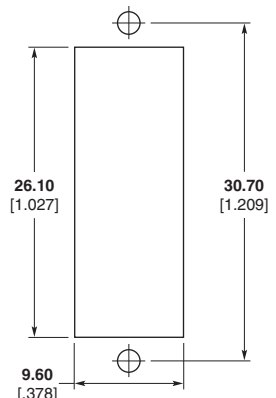
Recommended Panel Cutout
Max. Panel Thk. 1.7 [.067]



SC to FC Duplex Adapter — Metal

SC to FC Duplex Adapter — Metal

| Alignment Sleeve Material | Housing Color | Part Numbers |
|---------------------------|--------------------|--------------|
| Metal | Electroless Nickel | 6278050-1 |
| Ceramic | Electroless Nickel | 6278050-3 |



Recommended Panel Cutout
Max. Panel Thk. 1.7 [.067]

Note: All part numbers are RoHS compliant.

ESCON Connector Components

ESCON Connector Plug

Product Facts

- Multimode
- IBM Approved
- Simple field assembly

Performance Characteristics

Assembly Loss — 0.2 dB Typical

Durability — 200 cycles

Instruction Sheet

408-9808

<http://www.te.com/documents>



| Description | Part Number |
|--------------|-------------|
| 125 μ m | Black |
| DUALAN Cable | 5492181-1 |
| DUALAN Cable | 5492181-2* |

* Bulk packed, 50 per package
Termination Kit: 503746-6.

FSMA Products — Multimode

Product Facts

- Industry compatible with 905 (FSMA-I) and 906 (FSMA-II) style connectors
- Terminates fiber sizes from 125 through 1000 microns in diameter
- Design parameters conform to NATO and IEC interface standards



Performance Characteristics

Insertion Loss — 1.3 dB Typical

Temperature Range —
-55° C to +105° C

Durability — 200 cycles

Length —

Ferrule Tip to End of Boot

Part Number 5504566 — 70 mm

Part Number 5504014 — 70 mm

Part Number 5504567 — 66 mm

Documentation

Product Specification

108-45106

Instruction Sheet

408-9863

FSMA 905 & 906

Test Report

501-359

<http://www.te.com/documents>

FSMA Connectors

| Ferrule Material | Connector Body Material | Fiber Diameter (μ m) | Nominal Jacket O.D. | | |
|------------------|-------------------------|---------------------------|---------------------|-------------|-------------|
| | | | 3.1 mm | | 4.3 mm |
| | | | 905 | 906 | 905 |
| Stainless Steel | Nickel-Plated Brass | 125 | 5504566-1 | 5504014-1 | 5504567-1 |
| | | 140 | 5504566-2 | 1-5504014-0 | 5504567-2 |
| | | 231 | 5504566-7 | — | — |
| | | 336 | 1-5504566-4 | — | — |
| | | 1000 | 3-5504566-0 | — | — |
| | | 1050 | 3-5504566-1 | — | 2-5504567-9 |

Adapter

Product Facts

- Precision mating adapter for all FSMA connectors
- In-line splice or panel mount design



FSMA Adapters

| Description | Part Number |
|--|-------------|
| Hex Flange, Stainless Steel | 501049-1 |
| Hex Flange, Stainless Steel, Counterbore, Sealed | 501050-1 |
| Fixed Flange, Nickel-Plated Brass | 5504026-1 |
| In-Line, Stainless Steel | 504028-1 |
| In-Line, Stainless Steel, Counterbore, Short | 504031-1 |

Active Device Mount

Product Facts

- Designed to house TO-18, TO-46, and TO-52 devices
- Constructed of nickel plated die cast zinc alloy or stainless steel
- Mounts to PC board or through panel



FSMA Active Device Mounts

| Description | Part Number |
|--|-------------|
| PC Mount Receptacle, Die Cast | 5502136-1 |
| PC Mount Receptacle, Die Cast, Bulk Packaged | 5502136-2 |
| PC Mount Receptacle, Stainless Steel | 501055-1 |

Note: All part numbers are RoHS compliant.

ESCON is a trademark of IBM Corporation.

IBM is a trademark of International Business Machine Corporation.

MTRJ Connectors

MT-RJ Plugs

Product Facts

- Designed to meet TIA/EIA 568-B.3
- Each MT-RJ connector houses two fibers
- Half the size of duplex SC and ST Connectors
- Options available include:
 - Multimode or singlemode
 - Mini DUALAN or Mini Zipcord cable
 - With or without guide pins
 - MT-RJ SECURE Connector Kits

Performance Characteristics

Insertion Loss — Typical (dB) 0.2 dB

Operating Temperature —
-10° C to 60° C

Durability — 500 Cycles

Instruction Sheet

408-4540

<http://www.te.com/documents>



Standard MT-RJ Connectors

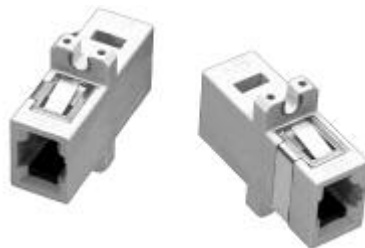
| Fiber Type | Cable Type | Pins | Part Number |
|------------|---------------------|--------------------|-------------|
| Singlemode | 3.0 mm DUALAN | Without Guide Pins | 6278399-1 |
| | 3.0 mm DUALAN | With Guide Pins | 6278399-2 |
| | 1.8 mm Mini Zipcord | Without Guide Pins | 6278751-1 |
| | 1.8 mm Mini Zipcord | With Guide Pins | 6278751-2 |
| Multimode | 3.0 mm DUALAN | Without Guide Pins | 6278398-1 |
| | 3.0 mm DUALAN | With Guide Pins | 6278398-2 |
| | 1.8 mm Mini Zipcord | Without Guide Pins | 6278750-1 |
| | 1.8 mm Mini Zipcord | With Guide Pins | 6278750-2 |

MT-RJ SECURE Connectors

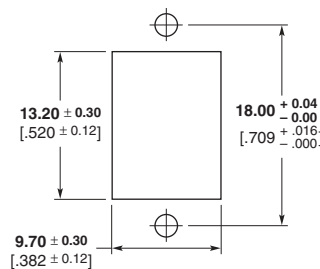
| Fiber Type | Cable Type | Pins | Color | Part Number |
|------------|---------------------|--------------------|--------|-------------|
| Multimode | 1.8 mm Mini Zipcord | Without Guide Pins | Red | 1918356-1 |
| | | | Yellow | 1918356-2 |
| | | | Green | 1918356-3 |
| | | | Blue | 1918356-4 |
| | | | Rose | 1918356-5 |
| | | | Aqua | 1918356-6 |
| | | | Brown | 1918356-7 |
| | | | Violet | 1918356-8 |
| | | | Orange | 1918356-9 |
| | | | Slate | 1-1918356-0 |

MT-RJ to MT-RJ Adapter

MT-RJ to MT-RJ Simplex Adapter



Simplex Part Number
1278017-1 (light almond)

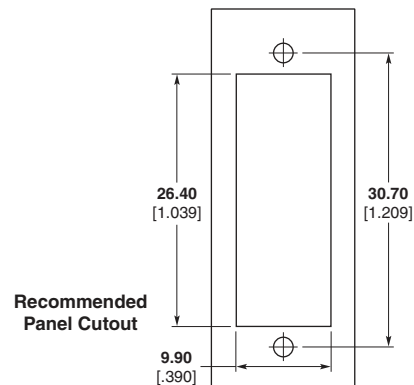


Recommended Panel Cutout
Max. Panel Thk. 1.7 [.067]

MT-RJ to MT-RJ Duplex Adapter



Duplex Part Number
6374906-1 (Almond)



Recommended Panel Cutout

Note: All part numbers are RoHS compliant.

LIGHTCRIMP PLUS No Epoxy, No Polish LC, SC and ST Connectors

Product Facts

- Multimode connector kits come with accessories needed to terminate to 250 μm fiber, 900 μm tight-buffered fiber, and 900 μm easy-strip
 - SC and ST kits also terminate 3 mm cables
- Singlemode connector kits terminate to 250 μm fiber, 900 μm tight-buffered fiber, 900 μm easy-strip and buffer tube splitter kits
- Easy installation:
 - No epoxy, no polishing
 - No bench tool required
 - Strip, cleave and crimp
- Easy identification:
 - Singlemode is blue
 - Laser Optimized (10 Gig) is aqua — 10 Gb/s applications
 - 62.5/125 μm is beige
 - 50/125 μm is black
- Match fiber type of cable to fiber type of LIGHTCRIMP PLUS Connector
- Mates with standard couplers, adapters and adapter plates
- Tested to and meets TIA/EIA 568-B.3
- Termination tool kits on page 49

Performance Characteristics

Insertion Loss — Typical (dB)
0.2 dB Singlemode; 0.3 dB Multimode

Temperature Range —
-10° C to 60° C, tested to -40° C to 75° C

Durability — 500 cycles



Simplex LC Connector Kits — LIGHTCRIMP PLUS No Epoxy, No Polish Connector

| Fiber Type | Housing Color | Boot Color | Used with | Part Number |
|--|---------------|------------|--|-------------|
| Singlemode | Blue | Blue | 900 μm & 250 μm Fibers | 6754482-1 |
| 50/125 μm Multimode | Beige | Black | 900 μm & 250 μm Fibers | 6754483-2 |
| Laser Optimized (10 Gig) (850 nm LO 50/125 μm) Multimode | Beige | Aqua | 900 μm & 250 μm Fibers | 6754483-4 |
| 62.5/125 μm Multimode | Beige | Beige | 900 μm & 250 μm Fibers | 6754483-1 |
| Duplex LC Clip | Black | — | To convert Simplex kits for Duplex application | 1754371-1 |



Simplex SC Connector Kits — LIGHTCRIMP PLUS No Epoxy, No Polish Connector

| Fiber Type | Housing Color | Boot Color | Used with | Part Number |
|--|---------------|------------|--|-------------|
| Singlemode Digital APC | Green | Blue | 900 μm & 250 μm Fibers | 2064184-1 |
| Singlemode | Blue | Blue | 900 μm & 250 μm Fibers, 3 mm Cable | 6693276-1 |
| 50/125 μm Multimode | Beige | Black | 900 μm & 250 μm Fibers, 3 mm Cable | 6278079-2 |
| Laser Optimized (10 Gig) (850 nm LO 50/125 μm) Multimode | Beige | Aqua | 900 μm & 250 μm Fibers, 3 mm Cable | 6588291-2 |
| 62.5/125 μm Multimode | Beige | Beige | 900 μm & 250 μm Fibers, 3 mm Cable | 5492643-1 |
| Duplex SC Clip (use 2) | Black | — | To convert Simplex kits for Duplex application | 6348522-1 |



ST Connector Kits — LIGHTCRIMP PLUS No Epoxy, No Polish Connector

| Fiber Type | Housing Color | Boot Color | Used with | Part Number |
|--|---------------|------------|--|-------------|
| 50/125 μm Multimode | Metallic | Black | 900 μm & 250 μm Fibers, 3 mm Cable | 6278082-1 |
| Laser Optimized (10 Gig) (850 nm LO 50/125 μm) Multimode | Metallilic | Aqua | 900 μm & 250 μm Fibers, 3 mm Cable | 6278082-2 |
| 62.5/125 μm Multimode | Metallic | Beige | 900 μm & 250 μm Fibers, 3 mm Cable | 5492642-2 |

Note: All part numbers are RoHS compliant.

LIGHTCRIMP PLUS Termination Tool Kits



Tooling

Product Facts

- Includes all tools needed for installing the listed type LIGHTCRIMP PLUS no epoxy/no polish connectors, MT-RJ and MT-RJ SECURE Jacks
- LIGHTCRIMP PLUS Connector Termination Video CD-Rom also available separately, Part Number 1374503-1
- Convenient carrying case

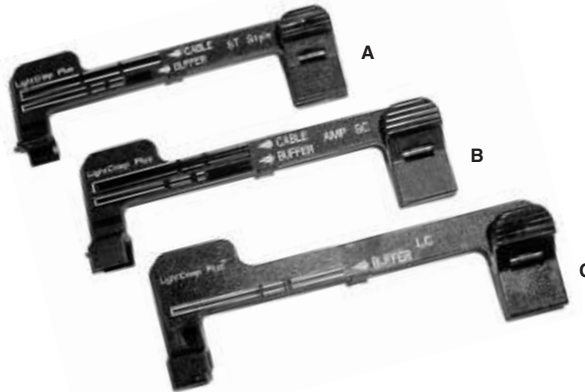
| Description | Part Number | |
|---|-------------|------------------------|
| Universal LIGHTCRIMP PLUS No epoxy/No polish Tool Kit (SC, LC, ST and MT-RJ Jack) | 1278118-4 | 1278118-5 ¹ |
| LIGHTCRIMP PLUS LC Connector Termination Tool Kit | 1754845-1 | 1754845-2 ¹ |
| LIGHTCRIMP PLUS SC Connector Termination Tool Kit | 1278022-1 | 1278022-2 ¹ |
| LIGHTCRIMP PLUS ST Connector Termination Tool Kit | 492697-1 | 492697-2 ¹ |

¹ Includes Precision Cleaver and Microscope.

LIGHTCRIMP PLUS Cable Holders

Product Facts

- Used in LIGHTCRIMP PLUS connector terminations (included in LIGHTCRIMP PLUS Tool Kits)



| Description | Figure | Part Number |
|-------------|--------|-------------|
| ST | A | 492703-1 |
| SC | B | 1278023-1 |
| LC | C | 1754138-1 |
| LC and SC | — | 2064540-1 |

LIGHTCRIMP Cleave Tool Part Number 503705-1

Product Facts

- Used in both SC and ST LIGHTCRIMP Connector terminations
- Included in the Deluxe and LIGHTCRIMP Tool Kits



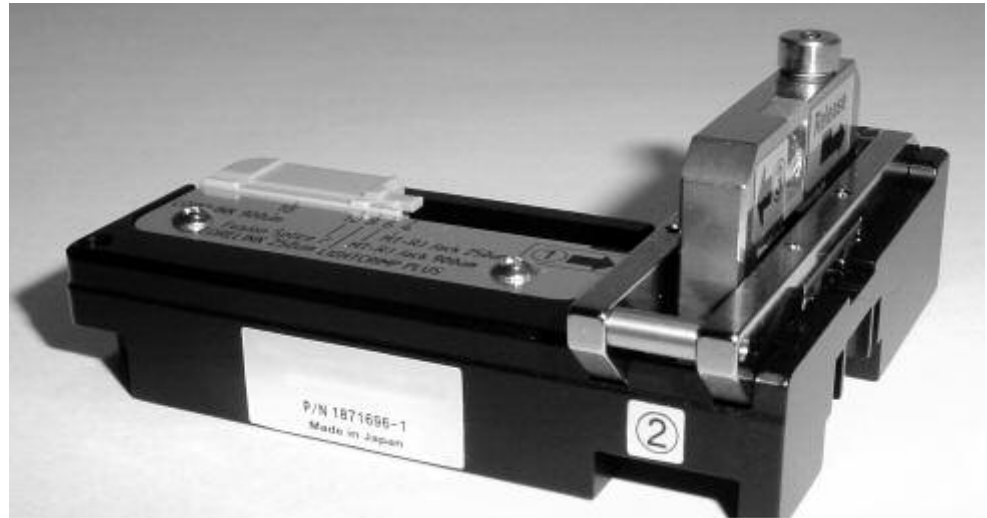
Note: All part numbers are RoHS compliant.

Tooling (Continued)

Hand Held Precision Cleaver
Part Number 1871696-1

Product Facts

- Operator independent = no craft sensitivity = consistent cleave every time
- Hand held operation
- 10,000 cleave blade life
- 4, 6, 8, 10, and 18 millimeter cleave lengths
- Product specific markings for LIGHTCRIMP PLUS and MT-RJ jack connectors, CORELINK splice, and fusion splicing
- Cleave surface angle < 1.5°
- No lip, no fracture, and no roll-off
- Padded belt case for convenience and storage
- Neck lanyard included



TE's hand held precision fiber cleaver provides precision quality cleaves with the feel and robustness of a full scale precision cleaver in a hand held size at an exceptionally competitive price. The detailed scale markings indicate proper cleave lengths for popular TE field

installable fiber optic connectors and mechanical splices in addition to the standard numerical markings for other applications including fusion splicing. The included belt pouch and neck lanyard ensure that the cleaver is always within reach.

Applications

Affordable precision cleaving solution for:

- Field installable mechanical splice connectors
- Fusion splicing
- Mechanical splicing
- Bare fiber adapters

Product Dimensions

Length — 74 mm [2.913 in.]
Width — 65.5 mm [2.578 in.]
Thickness — 33.5 mm [1.318 in.]
Weight — 136 g [0.30 lb.]

Note: All part numbers are RoHS compliant.

Tooling (Continued)

Epoxy/Polish Connector Termination Tool Kits

Product Facts

- Includes all tools necessary to install the listed epoxy/polish connectors
 - For LC terminations, also order Part Number 1754603-1
- Tool kits include:
 - Pro-Crimper II Hand Tool and crimping dies
 - Polishing bushings
 - Polishing film (also sold separately)
 - Cable and fiber strippers
 - Scissors
 - Scribe tool
- Includes polishing films to install » 60 epoxy/polish connectors
 - Epoxy is sold separately (see page 52)
- Does not include curing oven or microscope
- Convenient carrying case



| Description | Part Number |
|-------------|-------------|
| SC and FC | 503746-7 |
| ST | 503746-1 |
| FSMA | 503746-2 |
| FSD | 503746-6 |

Sapphire-Tipped Scribe Tool and Accessories

Product Facts

- Long-lasting sapphire blade
- Pen-type casing
- Used to install all Epoxy/Polish Connectors
- Included in Epoxy/Polish Tool Kits



| Description | Part Number |
|-----------------------------|-------------|
| Sapphire-tipped Scribe Tool | 504064-1 |
| Replacement Blades | 504290-1 |

Note: All part numbers are RoHS compliant.

Tooling (Continued)

Epoxy/Polish LC Termination Accessories

Product Facts

- Supplement epoxy/polish tool kits on page 51 with these components to terminate LC Epoxy/Polish Connectors

- Different polishing films are required for LC polishing

| Description | Part Number |
|---|-------------|
| LC Polishing Puck — Metal | 1754074-1 |
| LC Cable Preparation Template | 1588756-1 |
| LC Hand Tool and Die Set | 1588176-1 |
| LC 1.25 mm Ferrule Microscope Adapter | 1278997-1 |
| LC Oven Block Assembly | 1457628-1 |
| LC Adaptive Kit — Anaerobic Epoxy Style | 1754603-1 |
| LC Adaptive Kit — Heat Cure | 1754462-1 |

EPO-TEK 353ND Epoxy
Part Number 504035-1



Product Facts

- For use with SC and LC Connectors
- Pre-measured two-part packets for consistent results
- Long pot life once mixed
- Heat-cured epoxy
- Supplied in 4-gram packets
- Cures in 15 minutes at 115° C

TRA-CON Epoxies
Part Number 1918652-1



Product Facts

- For use with SC, LC, and ST Connectors
- Pre-measured two-part packets for consistent results
- Can be heat-cured or cured at ambient temperature
- Supplied in 2-gram packets
- Each packet terminates » 250 connectors
- 25 packets per pack
- Pot life = 30 minutes
- Cures in:
 - 24 hours @ 25° C
 - 2 hours @ 65° C
 - 10 minutes @ 110° C

HYSOL Epoxy-Tubes
Part Number 502418-1



Product Facts

- For use with SC, LC, ST, FSD, FC, and FSMA Connectors
- Two-part epoxy in two tubes
- Heat-cured epoxy
- Terminates » 400 connectors
- One set of two (2) tubes per part number
- Pot life = 30 minutes
- Cures in 30 minutes at 100° C

Epoxy Applicator Syringe
Part Number 501473-3

Product Facts

- 3 cc capacity



EPO-TEK is a trademark of EPOXY TECHNOLOGY INC.
HYSOL is a trademark of HENKEL CORPORATION.
TRA-CON is a trademark of Tra-Con, Inc.

Note: All part numbers are RoHS compliant.

Tooling (Continued)

Hand Held Microscope

Product Facts

- High quality glass optics
 - 200X magnification
- Optimal visual examination of terminated ends
 - 500 µm field of view
- Dual illumination
 - Coaxial for inspecting polish quality
 - Oblique for general conditions
- Pre-centered, threaded adapter mount provides easy focusing and changing of connectors
- Field and laboratory examination for multimode and singlemode fibers
- Portable
- Integral infrared filter for safety
 - Do NOT use any microscope to view active fiber signals
- Disposable, Type LR44 batteries
- Long-life LED (approximately 100,000 hours of operation)
- Each Kit includes:
 - 10-power objective microscope with an impact resistant ergonomic rubber shell and high quality glass optics
 - 20-power eyepiece
 - Padded carrying case with an integrated belt loop and internal adapter storage pocket
 - Neck lanyard with safety breakaway feature
 - Universal 2.5 mm ferrule adapter (for SC, ST and FC)
- Other adapters available are:
 - Universal 1.25 mm (adapts LC and MU)
 - MT-RJ
 - MPO
 - MPO APC
 - LIGHTRAY MPX Connector
 - LIGHTRAY MPX APC Connector



TE's hand held microscope incorporates high quality glass optics and dual illumination lighting for unsurpassed 200X magnification. With a 500 µm Field of View (FOV) and both coaxial and oblique illuminations, this microscope will meet the proposed TIA/IEC hand held microscope specification for a polish quality scope (coaxial) and general conditions scope (oblique) in one compact unit.

The built in IR-laser attenuation filter will provide protection from accidental exposure to active fibers, although intentional and prolonged viewing of active fibers is not recommended. The ergonomic, impact resistant shell provides a rugged feel, and the included padded belt case and neck lanyard ensure that the microscope is always within reach.

Applications

Affordable inspection device for:

- Polish inspection
- General conditions (debris) inspection
- Cleave quality inspection
- Verifying core size

Product Dimensions

Length — 186.9 mm [7.359 in.]
Width — 51.6 mm [2.030 in.]
Height — 31.5 mm [1.240 in.]
Weight — 317.5 g [0.70 lb.]

| Description | Part Number |
|--------------------------------|-------------|
| Hand Held Microscope | 1754767-1 |
| 1.25 mm Universal LC and MU | 1754765-1 |
| 2.5 mm Universal SC, ST and FC | 1754766-1 |
| SC APC | 1828833-1 |
| MT-RJ | 1754768-1 |
| MPO | 1828836-1 |
| MPO APC | 1828837-1 |
| LIGHTRAY MPX Connectors | 1828834-1 |
| LIGHTRAY MPX APC Connectors | 1828835-1 |
| FSMA | 1985040-1* |

* Coupling adapter Part Number 1985041-1 required.

DANGER: Active fibers should never be viewed through a microscope.

Note: All part numbers are RoHS compliant.

Tooling (Continued)

MTP/MPO IBC Cleaner
Part Number 1918809-1

Product Facts

- Cleans male or female MTP/MPO connectors
- Pre-washed cleaning cloth is lint and debris free
- Each cleaner is capable of more than 400 cleanings
- Can be used for bulkhead and unmated MTP/MPO cleaning
- Protective dust cover doubles as an adapter cap for cleaning unmated connectors
- FOCIS 5-Type MTP/MPO interface compliant
- Removes dust and oil contamination
- Ideal solution for cleaning parallel optics transceivers



The MTP/MPO IBC (In Bulkhead Cleaner) dry cloth cleaner offered by TE utilizes a densely woven micro-fiber cloth that cleans male (with pins) or female MTP/MPO connectors while in adapters, bulkheads, faceplates, or in unmated form with the unique adapter/dust cover. The unique cleaning cloth also reduces static charge

making it one of the most advanced cleaning systems available for bulkhead optical connector cleaning.

Applications

For effective cleaning of:

- Male and female MTP/MPO connectors inside mating adapters
- Unmated male and female MTP/MPO connectors using included adapter

- Parallel optics transceivers
- Networking gear including switches and routers
- Factory or field connectors

Product Dimensions

Length — 184.2 mm [7.25 in.]
Width — 56.5 mm [2.22 in.]
Thickness — 22 mm [0.866 in.]
Adapter Length — 19.5 mm [0.759 in.]

MTP is a trademark of US Conec Ltd.

OPTIPOP R Reel Cleaner

Product Facts

- Static attraction is minimized
- Ultra clean micro-fiber cloth captures debris and other contamination
- Robust cloth does not fray or leave fibrous material behind
- Reduces the number of field and test issues caused by contaminated end faces
- High-end cost effective cleaning solution



The OPTIPOP R dry cloth cassette cleaners offered by TE utilize a densely woven micro-fiber cloth that cleans fiber optic connector tips while reducing static charge. This makes them one of the most advanced cleaning systems available for optical connector cleaning.

Applications

A variety of reel cleaner configurations allow for use on the major optical connector types including FC, SC, ST, LC, MU, ODVA conforming, MT-RJ, and MPO.

Product Dimensions

Length — 127 mm [5.00 in.]
Width — 83 mm [3.26 in.]
Thickness — 48 mm [1.89 in.]
Weight — 150 g [0.33 lb.]



Reel Cleaner Refill (Six per Pack)
Part Number 1918806-1

| Description | Part Number |
|--|-------------|
| MPO w/pins reel cleaner | 1918802-1 |
| One slot reel cleaner; 1.25 mm, 2.5 mm, MT No Pins | 1918803-1 |
| MT-RJ connector w/pins reel cleaner | 1918804-1 |
| Two slot reel cleaner; 1.25 mm and 2.5 mm | 1918805-1 |
| Reel cleaner refill (six per pack) | 1918806-1 |

OPTIPOP is a trademark of NTT Advanced Technology Corporation.

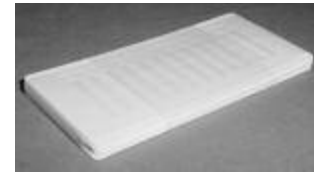
Note: All part numbers are RoHS compliant.

Tooling (Continued)

OPTIPOP C Card Cleaner

Product Facts

- Static attraction is minimized
- Ultra clean micro-fiber cloth captures debris and other contamination
- Robust cloth does not fray or leave fibrous material behind
- Reduces the number of field and test issues caused by contaminated end faces
- Compact size



Card Cleaner Refill (Ten per Pack)
Part Number 1918811-1

The compact OPTIPOP C dry cloth card cleaner offered by TE utilizes a densely woven micro-fiber cloth that cleans fiber optic connector tips while reducing static charge. This makes it one of the most advanced cleaning systems available for optical connector cleaning.

Applications

The card cleaner can be used on major optical connector types including FC compliant, SC, ST, LC, MU, LC, ODVA, MT-RJ*, and MPO*.

*Without guide pins installed.

Product Dimensions

- Length** — 120 mm [4.72 in.]
- Width** — 57 mm [2.24 in.]
- Thickness** — 16 mm [0.63 in.]
- Weight** — 60 g [0.13 lb.]

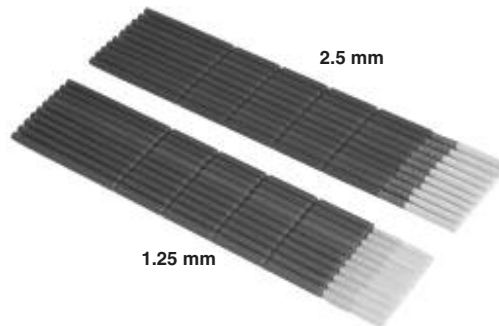
OPTIPOP is a trademark of NTT Advanced Technology Corporation.

| Description | Part Number |
|------------------------------------|-------------|
| Fiber connector card cleaner | 1918810-1 |
| Card cleaner refill (ten per pack) | 1918811-1 |

NEOCLEAN Stick Cleaner

Product Facts

- Perforated handle for customizing length and angle
- Ultra clean micro-fiber cloth captures debris and other contamination while minimizing static attraction
- Robust cloth does not fray or leave fibrous material behind
- Reduces the number of field and test issues caused by contaminated end faces
- Convenient packaging



The NEOCLEAN dry cloth stick cleaners offered by TE utilize a densely woven micro-fiber cloth that cleans fiber optic connector tips while reducing static charge. This makes them one of the most advanced cleaning systems available for bulkhead optical connector cleaning.

Applications

The stick cleaners can be used on major single fiber optical connector types inside bulkhead adapters including FC compliant, SC, ST, LC, MU, LC ODVA, and MT-RJ Jacks in addition to transceivers and lenses.

Product Dimensions

- Part Number 1918807-1**
2.5 mm Stick Cleaner
Overall Length — 151.2 mm [5.95 in.]
Tip Diameter — 1.25 mm [0.049 in.]
Handle Diameter — 2.65 mm [0.104 in.]
Tip Length — 12.6 mm [0.496 in.]



- Part Number 1918808-1**
1.25 mm Stick Cleaner
Overall Length — 151.2 mm [5.95 in.]
Tip Diameter — 2.5 mm [0.098 in.]
Handle Diameter — 2.65 mm [0.104 in.]
Tip Length — 20.0 mm [0.787 in.]



NEOCLEAN is a trademark of NTT Advanced Technology Corporation.

Note: All part numbers are RoHS compliant.

Tooling (Continued)

Hand Tools



PRO-CRIMPER III Hand Tool
Part Number 2064431-1

Instruction Sheet
408-4020
<http://www.te.com/documents>

PRO-CRIMPER III Hand Tool

| Connector | Cable Jacket Diameter (mm) | Part Number | |
|---|----------------------------|----------------------|-------------------|
| | | Hand Tool w/ Die Set | Die Set Only |
| FSMA | 3.0 | 58551-1 | 58552-1 (hex die) |
| ST Ceramic | 3.0 | 58433-4 | 58424-1 |
| ST Stainless Steel | 3.0 | 58433-4 | 58424-1 |
| ST Polymer Composite | 3.0 | 58433-4 | 58424-1 |
| ST Ceramic Used with Loose Tube | 3.8 | — | 503890-1 |
| ST Stainless Steel (504XXX series only) | 3.0 | 58551-1 | 58552-1 |
| SC/FC (Polymer crimp body) | 3.0 | 503911-1 | 503910-1 |
| | 2.4 & 3.0 | 492026-1 | 492025-1 |
| SC/FC (Metal crimp body) | 3.0 | — | 492131-1 |
| LIGHTCRIMP Plus and LIGHTCRIMP ST | 3.0 | 492623-1 | 492622-1 |
| LIGHTCRIMP Plus and LIGHTCRIMP SC | 3.0 | 492782-1 | 492783-1 |
| LIGHTCRIMP Plus LC | 1.6 – 2.0 | 1754137-1 | 1754136-1 |
| MT-RJ SECURE Connector | 1.8 | 1278632-1 | 1278627-1 |
| LC | 3.0, 2-4, 1.6-2.0 | 1588176-1 | 1588175-1 |

Polishing Bushing, Curing Sleeves and Strip Card Kits

| Connector | Cable Jacket Diameter (mm) | Part Number | | |
|--------------------------|----------------------------|--|----------------------------------|----------------|
| | | Polishing Bushing | Curing Sleeves/Pieces | Strip Card Kit |
| FSMA | 3.0 | 228025-1 | 502249-1 (12 pcs.) | 501818-1 |
| ST | | | | |
| Ceramic, Stainless Steel | 3.0 | 503337-1 (Metal) 503304-1 (Black Polymer) | 502259-1 (12 pcs.) | 501818-1 |
| Polymer Composite | 3.0 | 503304-2 (Beige Polymer) | 502259-1 (12 pcs.) | 501818-1 |
| FC | 3.0 | 504862-1 | 502862-2 (6 pcs.) | 1754636-1 |
| SC | 3.0 | 502631-1 (Black Polymer) | 502656-1 (1 pc.) | 1754636-1 |
| LC | | 1754074-1 (Metal) | 1457630-X ¹ (12 pcs.) | 1588756-1 |

¹ -1 LC 900 µm
-2 LC jacketed cable

Note: All part numbers are RoHS compliant.

Table of Contents

Section 3 — Fiber Management & Capabilities 57-62

Fiber Management Systems 58

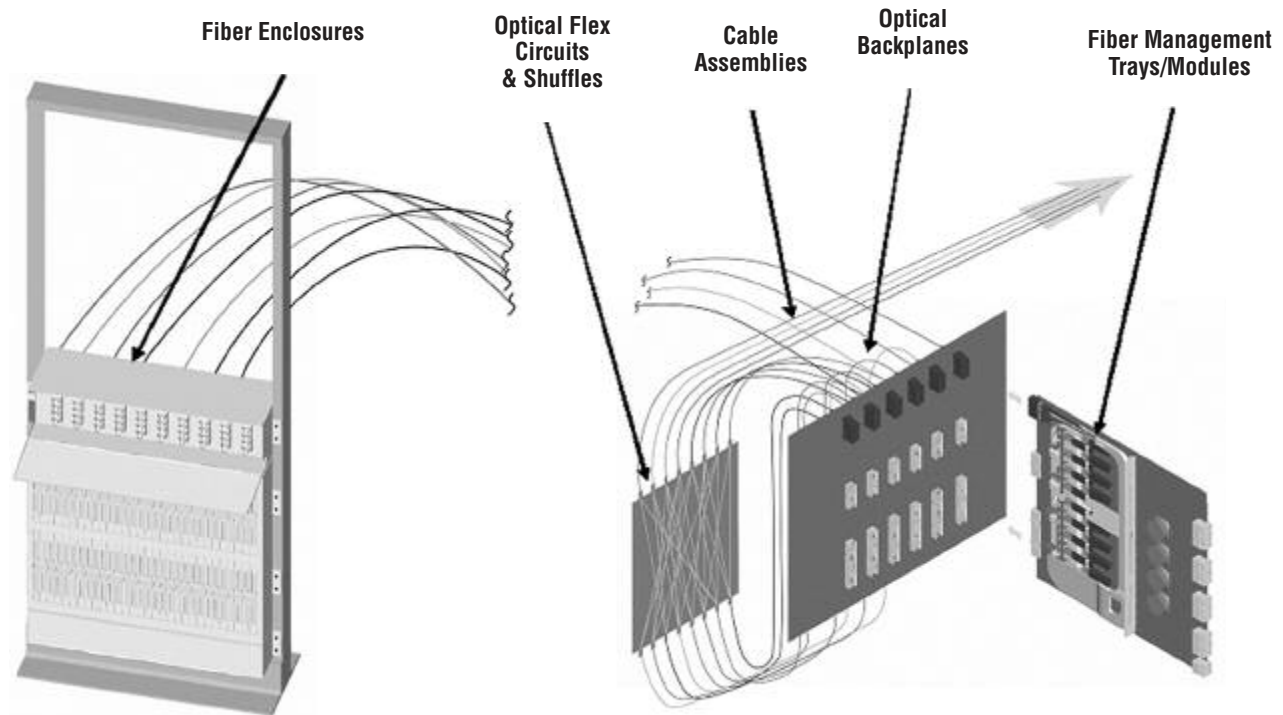
LIGHTRAY OFX Optical Fiber Circuit Assemblies 59

On Card Fiber Management 60

Enclosures and Customer Interface Panels 61

Laser Process for Fibershape Products 62

Fiber Management Systems



TE is recognized globally as a leader in Fiber Optics Interconnects. We also offer a complete line of integrated Packaged Solutions to meet most complex design challenges. Working directly with us, our designers can offer solutions that help reduce your time to market, simplify your manufacturing, and work with you so that your design requirements are met. We offer complete solutions to a variety of fiber management challenges.

The products in this Fiber Management and Packaged Solutions section are custom designed products, specific to our customers' applications. Please contact your local TE Sales Representative for design assistance.

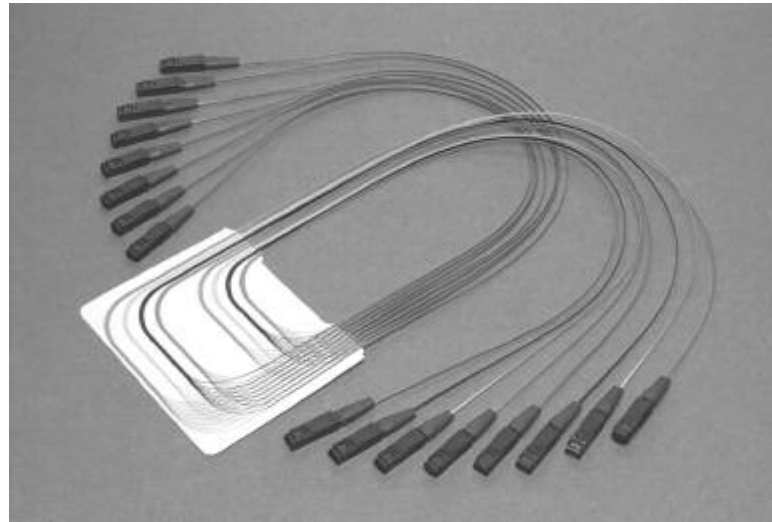
LIGHTRAY OFX Optical Fiber Circuit Assemblies

Product Facts

- Singlemode and multimode product range
- Available in a range of symmetrical and asymmetrical designs
- Can be designed with a choice of protective film substrates (including V0 rated materials)
- Pre-terminated with LIGHTRAY MPX Connector or any other industry standard connector
- Operates over a broad temperature range
- Fiber optic equivalent of a copper circuit
- Allows fiber “crossovers” without performance penalty
- Very low insertion loss
- Flat or cylindrical design

Benefits

- Easy routing and management of thousands of fibers on a single substrate
- Fully optical cross connect
- Lightweight
- Saves valuable space
- Significantly contributes to skew compensation
- Easy to install
- Offers flexibility in systems design



TE's LIGHTRAY OFX optical fiber circuit offers an innovative and flexible solution to precision fiber management in high fiber count applications.

Designed using the latest fiber optic technology, the LIGHTRAY OFX optical circuit consists of a number

Key Applications

High Fiber Count Applications in Optical Transmission and Switching Equipment, in Equipment Racks or on the Printed Circuit Board.

- Provides a complete optical backplane, interconnecting multiple daughtercards
- Complex rack harnesses
- Simplified intra-rack fiber management and cabling
- Serves as a complete optical cross connect (64 x 64 or 128 x 128) in less than 500 x 500 mm of valuable space
- Can be used for the interconnection of optoelectronic devices on the printed circuit board

of optical fibers, which are encapsulated in thin protective film substrates. As well as saving valuable space in equipment and equipment racks, the LIGHTRAY OFX circuit also provides optimum optical performance.

Optical fiber “crossovers”

allow the optical fibers to be routed in both regular and irregular designs. Fibers are routed on 250 μm center lines allowing LIGHTRAY MPX connectors to be terminated on the fiber tails.

Optical Performance (singlemode)

Maximum Insertion Loss* (connector loss) — <0.1 dB max; <0.05 dB typical

Polarization Depending Loss — <0.1 dB

Mechanical Characteristics
Vibration (per IEC 61300-2-1) — 10-55Hz

Fiber Retention (per IEC 61300-2-4) — 44 N max.

Environmental Characteristics

Operating Temperature — -40°C to +85°C

Storage Temperature — -40°C to +85°C

Humidity — 95%

* final loss depending on connector types



On Card Fiber Management

Product Facts

- Multimode or Singlemode
- Custom design
- 94-V0 rated materials

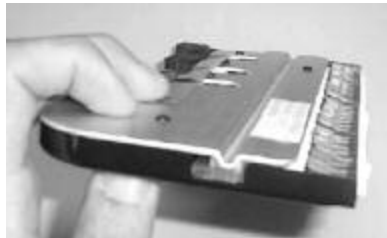
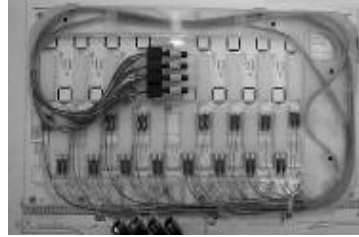
Benefits

- Easy management of on-board fibers
- Fiber protection and routing (allowing use of 250 micron fiber for added density)
- Pre-loaded and tested trays to facilitate manufacturing
- “Mezzanine” trays allow components to be mounted underneath the fiber tray — minimizing board real estate
- Splice management
- Maintaining minimum bend radius
- Eliminating long term performance degradation through “sag”
- Skew control

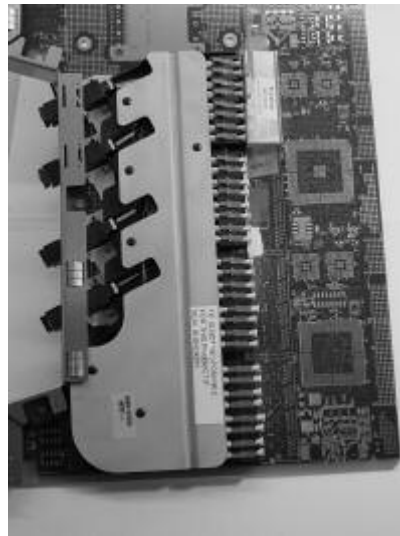
Before



After



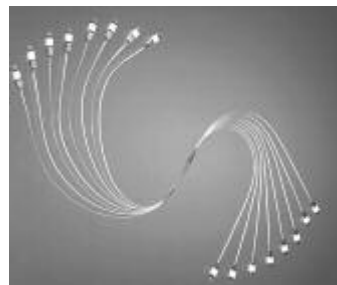
Thin modules designed to fit on your system card.



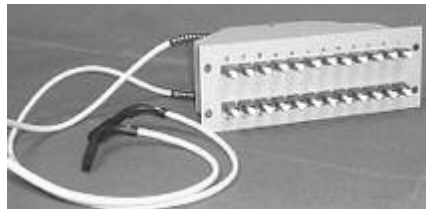
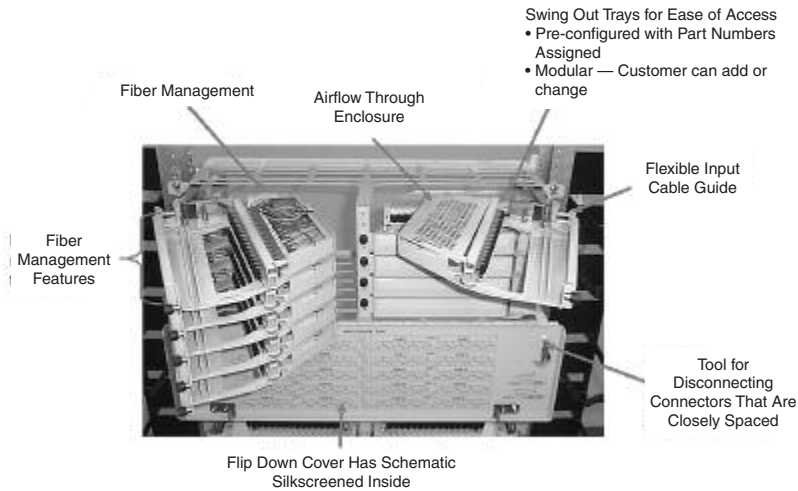
Plug and play — drop the module on your board and plug the connectors.



Non-planar circuits



Enclosures and Customer Interface Panels



Tray is Preloaded and Tested



SFF (LC, MU, MT-RJ)

As customer interface panels and enclosures increase in fiber count and density, issues of fiber management, reparability, and scalability become increasingly complex. We offer complete solutions matched to the customers' individual program needs:

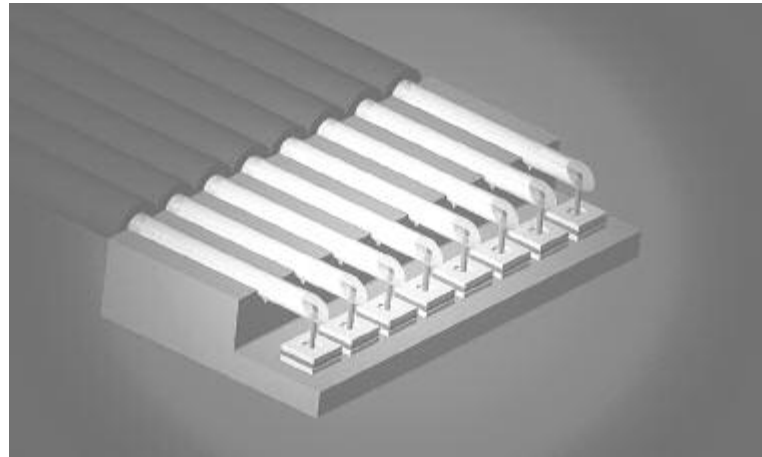
- High density, ease of access, flexibility
- Pre-loaded and tested cables
- Modular design approach for flexibility in I/O's needed, cable dress, and connector styles
- Accommodate airflow needs
- EMI Solutions

Laser Process for Fibershape Products

Fibershape Products by Laser Processing

Product Facts

- Complete range of cleave angles
- Ultra high precision measured @ core region (± 0.5 degrees)
- Capable of providing domed end finish
- Angle cleaving of ribbons (incl. sawtooth)
- Angled cleaves in 0, 8, 45 and other custom degrees
- Ultra precise length control of cleaved endface versus ref. plane
- Capable of cleaving close to fiber coating
- High volume industrial solution for the opto-electronic industry



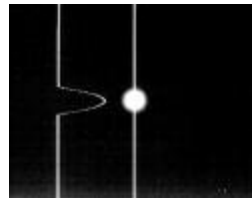
90 Degree VCSEL Array Interface

TE laser process, which uses the power of a laser beam to prepare fiber endfaces for termination in connector assemblies and optical devices, provides a state-of-the-art solution for opto electronic device pigtailling including:

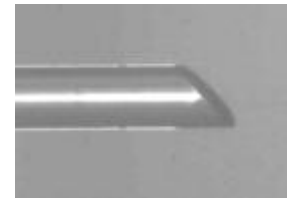
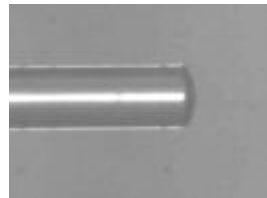
- Planar OEICs
- Array Devices
- Discrete Laser/LED/Receiver package
- Detachable pigtails

This ultra high precision process enables very compact designs and perpendicular fiber coupling.

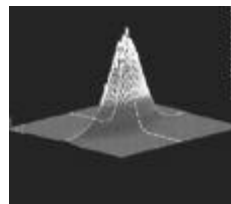
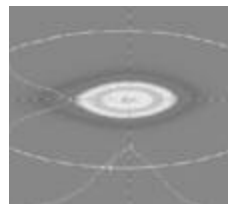
Please contact your local sales representative or TE for more in-depth product information.



Near Field Scan @ 1310 nm



Straight and Angled Cleave



Wedge Fiber Characteristics



Laser Processed Subassembly

Table of Contents

| | |
|--|--------------|
| Section 4 — Other Products and Capabilities | 63-70 |
| AMP NETCONNECT Premises Wiring Products..... | 64 |
| Telecom Outside Plant Products | 65 |
| Attenuators | 66-69 |
| Switches | 70 |

AMP NETCONNECT Premises Wiring Products

Premises Wiring Products



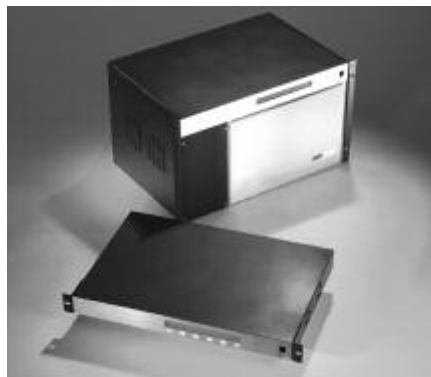
Optical Fiber Connectivity: LC SECURE Connectors, MPO SECURE Connectors, and MT-RJ SECURE Connectors



No Epoxy, No Polish Terminations (SC, LC, MT-RJ and ST)



MPO High-Density Fiber Connectivity, Cables and Cassettes



AMPTRAC Connectivity Management System



Complete Product Line for Fiber Networking



25 Year System Warranty

The AMP NETCONNECT Business Unit of TE offers a total fiber optic solution including fiber optic cable, connectivity and hardware; as well as network management through the new AMPTRAC Connectivity Management System. Please contact the AMP NETCONNECT business unit for more

information on product and system warranties.

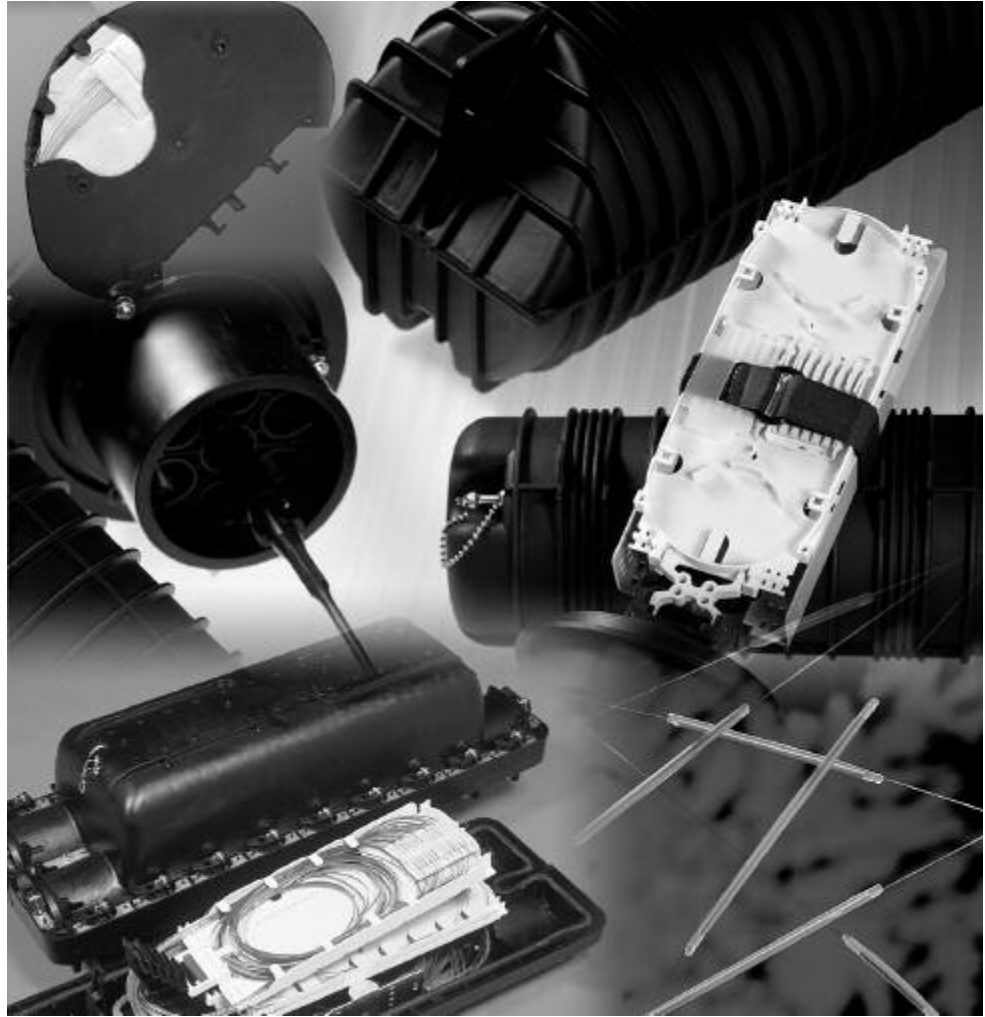
Additionally, the AMP NETCONNECT Business Unit offers a complete line of copper networking products, including shielded and unshielded twisted pair cabling solutions, cables, connectivity, cable assemblies, patch panels and faceplates.

For more information on any Premises Wiring products or systems, visit www.ampnetconnect.com or contact customer service at 1-800-553-0938.

The AMP NETCONNECT full line catalog (#82164) is also available through customer services or from your local TE sales representative.

Telecom Outside Plant Products

Telecom Outside Plant Products



The Telecom Outside Plant Business Unit of TE has been created from a family of companies with a long tradition of making quality components for telecommunications networks and providing innovative solutions for their evolving needs.

The FIST, FOSS, and FibrBoss families of modular fiber management products enhance the design, implementation, and maintenance of fiberoptic networks, from the central

office/exchange to the customer's premises.

For more information on Telecom Outside Plant products or services, visit <http://www.telecomosp.com> or contact customer service at 1-888-557-8901.

A full line Telecom Outside Plant Catalog (#1654451) is also available through customer services or your local TE sales representative.

Attenuators

Singlemode Build Out Attenuators

Product Facts

- A range of fixed attenuation values. Standard values of 1 through 20 and 25 dB
- LC, SC, FC, ST, and D4 styles
- Attenuation is wavelength independent and polarization insensitive
- Low PDL
- Low modal noise
- Vibration resistant
- Dual Window and Broadband Bandpass
- End face geometry per GR-326
- Designed to comply with Telcordia GR-910

Applications

- Power leveling in DWDM transmission systems
- Test and Measurement
- Power attenuation at the receiver

Available Collateral

- Test reports qualifying product to Telcordia GR-910 (2004)
- Application Specification 114-1129
- Installation/Cleaning Instruction Sheet 408-8895
- Product Specification 108-2099

<http://www.te.com/documents>

- Customer Drawings



Customizable Features

- Attenuation tolerance
- Attenuation values in 1 dB increments
- Labeling
- Kitting/Packaging
- Wavelength Dependent Loss
- Reflectance:
 - UPC to -55 dB max.
 - APC to -65 dB max.

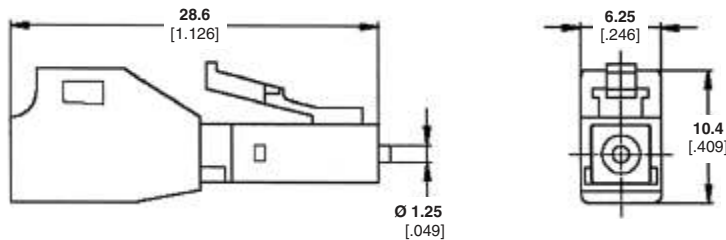
Specifications

- Attenuation Values** —
1-20 dB and 25 dB (Fixed)
- Reflectance** —
≤ -55 and -65 dB for UPC and APC polish, respectively
- Operating Temperature** —
-40°C to +75°C
- Vibration Resistance** —
< 0.1 x attenuation

Attenuators (Continued)

**Singlemode
LC Attenuators, Build Out
Style, Fixed Value**

LC/UPC



Note: Additional attenuation values available upon request.

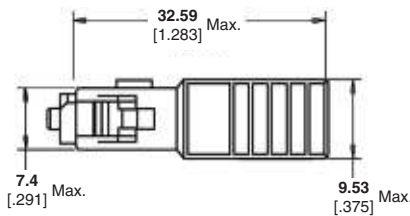
**Broadband Bandpass Attenuators
Operating Wavelength
1260-1360 nm & 1430-1625 nm**

| Attenuation (dB) | Part Number |
|------------------|-------------|
| 1 | 1693560-1 |
| 2 | 1693560-2 |
| 3 | 1693560-3 |
| 4 | 1693560-4 |
| 5 | 1693560-5 |
| 6 | 1693560-6 |
| 7 | 1693560-7 |
| 8 | 1693560-8 |
| 9 | 1693560-9 |
| 10 | 1-1693560-0 |
| 11 | 1-1693560-1 |
| 12 | 1-1693560-2 |
| 13 | 1-1693560-3 |
| 14 | 1-1693560-4 |
| 15 | 1-1693560-5 |
| 16 | 1-1693560-6 |
| 17 | 1-1693560-7 |
| 18 | 1-1693560-8 |
| 19 | 1-1693560-9 |
| 20 | 2-1693560-0 |
| 25 | 2-1693560-5 |

Note: Attenuation Tolerance, Ambient
 ≥ 5 dB: ± .10 x nominal
 attenuation value
 < 5 dB: ± 0.50 dB
 Reflectance ≤ -55 dB

**Singlemode
SC Attenuators, Build Out
Style, Fixed Value**

SC/UPC



Note: Additional attenuation values available upon request.

**Dual Window Attenuators
Operating Wavelength
1310/1550 nm ±25 nm**

| Attenuation (dB) | Part Number |
|------------------|-------------|
| 1 | 5209943-1 |
| 2 | 5209943-2 |
| 3 | 5209943-3 |
| 4 | 5209943-4 |
| 5 | 5209943-5 |
| 6 | 5209943-6 |
| 7 | 5209943-7 |
| 8 | 5209943-8 |
| 9 | 5209943-9 |
| 10 | 1-5209943-0 |
| 11 | 1-5209943-1 |
| 12 | 1-5209943-2 |
| 13 | 1-5209943-3 |
| 14 | 1-5209943-4 |
| 15 | 1-5209943-5 |
| 16 | 1-5209943-6 |
| 17 | 1-5209943-7 |
| 18 | 1-5209943-8 |
| 19 | 1-5209943-9 |
| 20 | 2-5209943-0 |
| 25 | 2-5209943-5 |

Note: Attenuation Tolerance, Ambient
 ≥ 5 dB: ± .10 x nominal
 attenuation value
 < 5 dB: ± 0.50 dB
 0 dB: 0.50 dB max
 Reflectance ≤ -55 dB

**Broadband Bandpass Attenuators
Operating Wavelength
1260-1360 nm & 1430-1625 nm**

| Attenuation (dB) | Part Number |
|------------------|-------------|
| 1 | 5209250-1 |
| 2 | 5209250-2 |
| 3 | 5209250-3 |
| 4 | 5209250-4 |
| 5 | 5209250-5 |
| 6 | 5209250-6 |
| 7 | 5209250-7 |
| 8 | 5209250-8 |
| 9 | 5209250-9 |
| 10 | 1-5209250-0 |
| 11 | 1-5209250-1 |
| 12 | 1-5209250-2 |
| 13 | 1-5209250-3 |
| 14 | 1-5209250-4 |
| 15 | 1-5209250-5 |
| 16 | 1-5209250-6 |
| 17 | 1-5209250-7 |
| 18 | 1-5209250-8 |
| 19 | 1-5209250-9 |
| 20 | 2-5209250-0 |
| 25 | 2-5209250-5 |

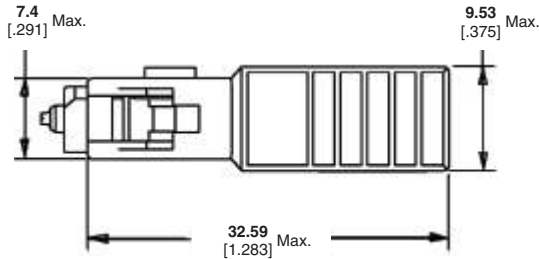
Note: Attenuation Tolerance, Ambient
 ≥ 5 dB: ± .10 x nominal
 attenuation value
 < 5 dB: ± 0.50 dB
 0 dB: 0.50 dB max.
 Reflectance ≤ -55 dB

Note: All part numbers are RoHS compliant.

Attenuators (Continued)

**Singlemode
SC Attenuators, Build Out
Style Fixed Value**

SC/APC 8°



Note: Additional attenuation values available upon request.

* 9° APC Available (Part Number 5417496-X)

**Dual Window Attenuators
Operating Wavelength
1310/1550 nm ±25 nm**

| Attenuation (dB) | Part Number |
|------------------|-------------|
| 1 | 5209597-1 |
| 2 | 5209597-2 |
| 3 | 5209597-3 |
| 4 | 5209597-4 |
| 5 | 5209597-5 |
| 6 | 5209597-6 |
| 7 | 5209597-7 |
| 8 | 5209597-8 |
| 9 | 5209597-9 |
| 10 | 1-5209597-0 |
| 11 | 1-5209597-1 |
| 12 | 1-5209597-2 |
| 13 | 1-5209597-3 |
| 14 | 1-5209597-4 |
| 15 | 1-5209597-5 |
| 16 | 1-5209597-6 |
| 17 | 1-5209597-7 |
| 18 | 1-5209597-8 |
| 20 | 2-5209597-0 |
| 25 | 2-5209597-5 |

Note: Attenuation Tolerance, Ambient
 ≥ 5 dB: ± .10 x nominal attenuation value
 < 5 dB: ± 0.50 dB
 Reflectance ≤ -60 dB

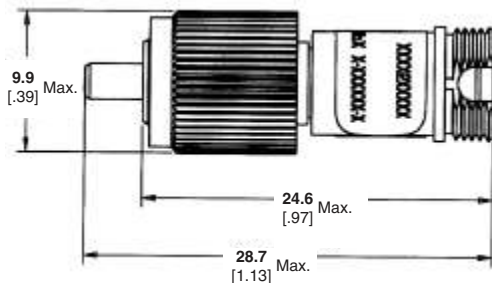
**Broadband Bandpass Attenuators
Operating Wavelength
1260-1360 nm & 1430-1625 nm**

| Attenuation (dB) | Part Number |
|------------------|-------------|
| 1 | 5417021-1 |
| 2 | 5417021-2 |
| 3 | 5417021-3 |
| 4 | 5417021-4 |
| 5 | 5417021-5 |
| 6 | 5417021-6 |
| 7 | 5417021-7 |
| 8 | 5417021-8 |
| 9 | 5417021-9 |
| 10 | 1-5417021-0 |
| 11 | 1-5417021-1 |
| 12 | 1-5417021-2 |
| 13 | 1-5417021-3 |
| 14 | 1-5417021-4 |
| 15 | 1-5417021-5 |
| 16 | 1-5417021-6 |
| 17 | 1-5417021-7 |
| 18 | 1-5417021-8 |
| 19 | 1-5417021-9 |
| 20 | 2-5417021-0 |
| 25 | 2-5417021-5 |

Note: Attenuation Tolerance, Ambient
 ≥ 5 dB: ± .10 x nominal attenuation value
 < 5 dB: ± 0.50 dB
 Reflectance ≤ -65 dB

**Singlemode
FC Attenuators, Build Out
Style, Fixed Value**

FC/UPC



Note: Additional attenuation values available upon request.

**Dual Window Attenuators
Operating Wavelength
1310/1550 nm ±25 nm**

| Attenuation (dB) | Part Number |
|------------------|-------------|
| 1 | 5209948-1 |
| 2 | 5209948-2 |
| 3 | 5209948-3 |
| 4 | 5209948-4 |
| 5 | 5209948-5 |
| 6 | 5209948-6 |
| 7 | 5209948-7 |
| 8 | 5209948-8 |
| 9 | 5209948-9 |
| 10 | 1-5209948-0 |
| 11 | 1-5209948-1 |
| 12 | 1-5209948-2 |
| 13 | 1-5209948-3 |
| 14 | 1-5209948-4 |
| 15 | 1-5209948-5 |
| 16 | 1-5209948-6 |
| 17 | 1-5209948-7 |
| 18 | 1-5209948-8 |
| 19 | 1-5209948-9 |
| 20 | 2-5209948-0 |
| 25 | 2-5209948-5 |

Note: Attenuation Tolerance, Ambient
 ≥ 5 dB: ± .10 x nominal attenuation value
 < 5 dB: ± 0.50 dB
 Reflectance ≤ -55 dB

**Broadband Bandpass Attenuators
Operating Wavelength
1260-1360 nm & 1430-1625 nm**

| Attenuation (dB) | Part Number |
|------------------|-------------|
| 1 | 5209285-1 |
| 2 | 5209285-2 |
| 3 | 5209285-3 |
| 4 | 5209285-4 |
| 5 | 5209285-5 |
| 6 | 5209285-6 |
| 7 | 5209285-7 |
| 8 | 5209285-8 |
| 9 | 5209285-9 |
| 10 | 1-5209285-0 |
| 11 | 1-5209285-1 |
| 12 | 1-5209285-2 |
| 13 | 1-5209285-3 |
| 14 | 1-5209285-4 |
| 15 | 1-5209285-5 |
| 16 | 1-5209285-6 |
| 17 | 1-5209285-7 |
| 18 | 1-5209285-8 |
| 19 | 1-5209285-9 |
| 20 | 2-5209285-0 |
| 25 | 2-5209285-5 |

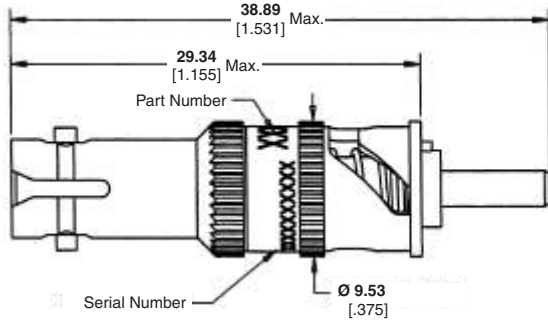
Note: Attenuation Tolerance, Ambient
 ≥ 5 dB: ± .10 x nominal attenuation value
 < 5 dB: ± 0.50 dB
 0 dB: 0.50 dB max.
 Reflectance ≤ -55 dB

Note: All part numbers are RoHS compliant.

Attenuators (Continued)

**Singlemode
ST Attenuators, Build Out
Style, Fixed Value**

ST/UPC



**Dual Window Attenuators
Operating Wavelength
1310/1550 nm ±25 nm**

| Attenuation (dB) | Part Number |
|------------------|-------------|
| 1 | 5417549-1 |
| 2 | 5417549-2 |
| 3 | 5417549-3 |
| 4 | 5417549-4 |
| 5 | 5417549-5 |
| 6 | 5417549-6 |
| 7 | 5417549-7 |
| 8 | 5417549-8 |
| 9 | 5417549-9 |
| 10 | 1-5417549-0 |
| 11 | 1-5417549-1 |
| 12 | 1-5417549-2 |
| 13 | 1-5417549-3 |
| 14 | 1-5417549-4 |
| 15 | 1-5417549-5 |
| 16 | 1-5417549-6 |
| 17 | 1-5417549-7 |
| 18 | 1-5417549-8 |
| 19 | 1-5417549-9 |
| 20 | 2-5417549-0 |
| 25 | 2-5417549-5 |

Note: Attenuation Tolerance, Ambient
 ≥ 5 dB: ± .15 x nominal
 attenuation value
 < 5 dB: ± 0.75 dB
 Reflectance ≤ -55 dB

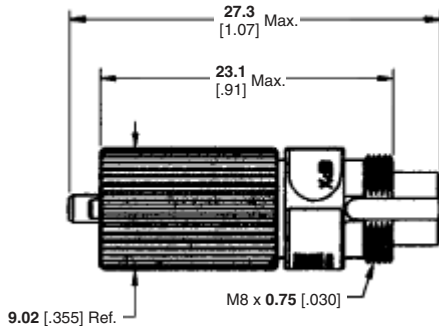
**Broadband Bandpass Attenuators
Operating Wavelength
1260-1360 nm & 1430-1625 nm**

| Attenuation (dB) | Part Number |
|------------------|-------------|
| 1 | 5417399-1 |
| 2 | 5417399-2 |
| 3 | 5417399-3 |
| 4 | 5417399-4 |
| 5 | 5417399-5 |
| 6 | 5417399-6 |
| 7 | 5417399-7 |
| 8 | 5417399-8 |
| 9 | 5417399-9 |
| 10 | 1-5417399-0 |
| 11 | 1-5417399-1 |
| 12 | 1-5417399-2 |
| 13 | 1-5417399-3 |
| 14 | 1-5417399-4 |
| 15 | 1-5417399-5 |
| 16 | 1-5417399-6 |
| 17 | 1-5417399-7 |
| 18 | 1-5417399-8 |
| 19 | 1-5417399-9 |
| 20 | 2-5417399-0 |
| 25 | 2-5417399-5 |

Note: Attenuation Tolerance, Ambient
 ≥ 5 dB: ± .10 x nominal
 attenuation value
 < 5 dB: ± 0.50 dB
 0 dB: 0.50 dB max.
 Reflectance ≤ -55 dB

**Singlemode
D4 Attenuators, Build Out
Style, Fixed Value**

D4/PC



Note: Additional attenuation values
 available upon request.

**Dual Window Attenuators
Operating Wavelength
1310/1550 nm ±25 nm**

| Attenuation (dB) | Part Number |
|------------------|-------------|
| 5 | 5209570-5 |
| 10 | 1-5209570-0 |
| 15 | 1-5209570-5 |
| 20 | 2-5209570-0 |

Note: Attenuation Tolerance, Ambient
 ≥ 5 dB: ± .15 x nominal
 attenuation value
 < 5 dB: ± 0.75 dB
 Reflectance ≤ -45 dB

Note: All part numbers are RoHS compliant.

Switches

Ruggedized Multimode Switches

Refractive Plate Switch 2 x 2 Bypass Configuration

Part Number
6588871-1

Product Facts:

- No optical path interruption @200 G's for 8 ms
- Successfully passed MIL-S-901D (Navy) Heavyweight Shock Test (Barge Test)
- Fiber type 62.5/125 μm multimode

Specifications

Operating Temperature Range —
-30° to +85° C

Storage Temperature Range —
-40° to +85° C

Durability —
>1,000,000 cycles

Minimum Actuation Voltage —
4.75 V

Maximum Actuation Voltage —
5.25 V

Actuation Current at Typical —
5.0 V

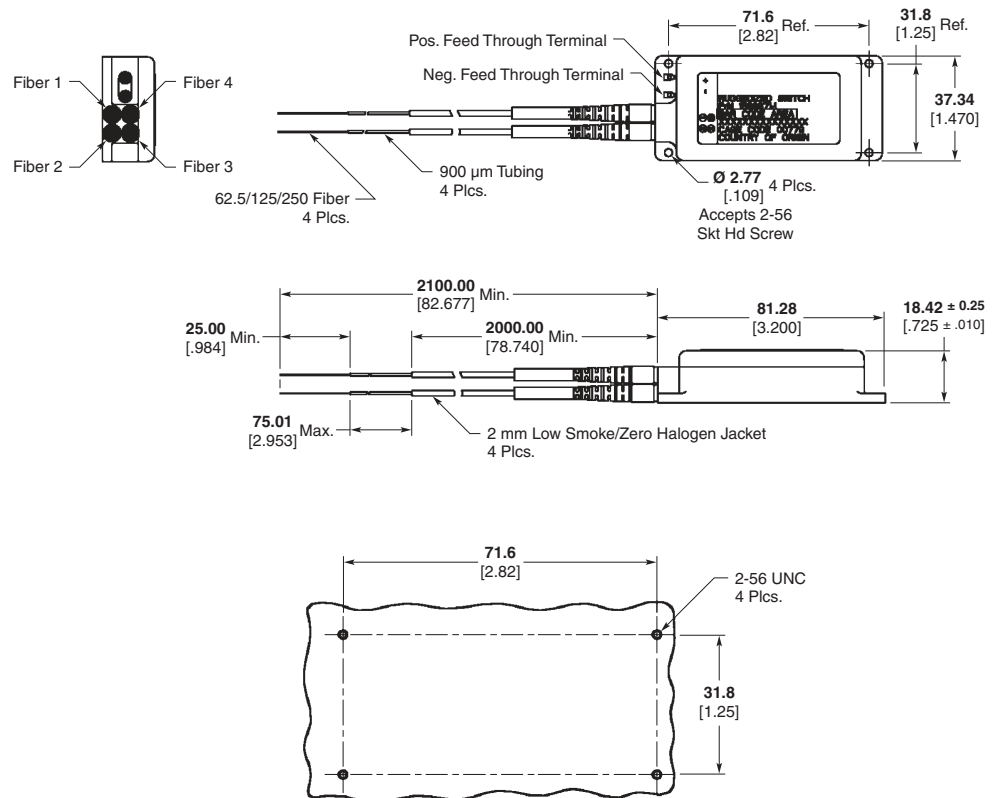
Actuation Voltage —
100mA (maximum)



TE's Ruggedized Refractive Plate Switch is a multimode optical switch that is capable of withstanding a 200 G shock with a duration of >8ms without interruption of the signal path.

This switch is designed for extreme environments that require absolute product quality on optical installations and optical signal integrity.

Product Dimensions:



Recommended Mounting Layout

Note: All part numbers are RoHS compliant.

Table of Contents

| | |
|---|---------------|
| Section 5 — Fiber to the Antenna Rugged Interconnect | 71-96 |
| Introduction | 72 |
| FULLAXS Fiber to the Antenna Rugged Interconnect | 73 |
| ODC™ Plug and Socket Cable Assemblies | 74-78 |
| Max-Travel Fiber to the Antenna Rugged Interconnect | 79 |
| LC ODVA Compliant Connectors | 80, 81 |
| PRO BEAM Expanded Beam Rugged Optics Products | 82-96 |

ODC is a product and trademark of
HUBER+SUHNER AG.

Fiber to the Antenna Rugged Interconnect



Next generation WiMax and LTE Fiber to the antenna designs require rugged cable assemblies that plug directly into transceivers through a bulkhead.

It has to be a connector design that can accommodate a large tolerance in Z-direction. It has to allow one handed mating (to facilitate installation at the antenna).

With a large Z axis tolerance, they will accommodate the broadest range of transceivers, so end customers can pick the transceiver of their choice.

Applications

- Base Stations
- Industrial
- Aerospace & Defense

FULLAXS Fiber to the Antenna Rugged Interconnect

Product Facts

- Open bulkhead for easy access to SFP
- Positive feedback to operator when fully mated
- One-hand mating
- Duplex LC interface
- Bulkhead cutouts allow for removal of transceiver through the bulkhead (no need to open RRR for transceiver replacement)
- Robust bayonet locking for easy, fast, and secure mating
- Multimode and singlemode
- Water proof, dust proof and corrosion resistant
- Expansion to RJ45, etc
- Plug has tolerance free design, fully free floating in Z-axis
- No Cable buckling at any time during or after installation
- Cost effective glass-filled polymer or metal diecasted bulkhead
- Field installable version available



Specifications

Temperature — -40°C – +85°C

150 N Pull Force — per IEC61300-2-4

Protection Class — IP67

Cycles — 50 Mating Cycles

Vibration — per GR3115 (3.26.3)

Salt Mist — per IEC 61300-2-26

Vibration — per IEC 61300-2-1

Shock — per IEC 61300-2-9

Impact — IEC 61300-2-12

Temperature / Humidity — IEC 61300-2-22

Mechanical

Retention — 150 N cable retention

Rating — IP67 Rated

Interface — LC interface

Adapter Footprint — 36 mm x 36 mm

Locking Style — Bayonet style

Duplex LC Interconnect — MM or SM

Tools — No tools required

Operating Temperature — -40°C to +85°C

Mating Durability — min. 50 cycles

ODC™ Plug and Socket Cable Assemblies

Product Facts

- 2 and 4 Channel
- Multimode — 2 & 4 Ch;
Singlemode — 2 Ch
- Compact design with 2 x or
4 x 1.25 mm ferrules
- Built-in socket available
with square or hexagonal
flange
- Water proof, dust proof and
corrosion resistant
- Screw lock mechanism
- Scoop proof
- One hand, blind-mating
possible
- Attached protection cap
- EMI shielded
- Low-Smoke, Zero-Halogen
(LSZH)



The ODC connectors, together with the support optical cable, are becoming the standard interface specified in 3G, 4G and WiMax Base Station remote radios and Fiber-to-the-Antenna applications.

The ODC cable assembly is based on the N Type RF Coax connector. The prod-

uct, however, is not limited to the above applications. As the ODC cable assemblies have passed tests like salt mist, vibration and shock and meets protection class IP68, they are well suited for Industrial and Aerospace and Defense applications.

Applications

- Base Stations
- Industrial
- Aerospace & Defense

Technical Documents

Protection Class

IP68

Salt Mist

IEC 61300-2-26: passed

Vibration

IEC 61300-2-1: passed

Shock

IEC 61300-2-9: passed

Optical

Insertion loss according to IEC 61300-3-34

Multimode —

Typ. ≤ 0.25 dB
Max. ≤ 0.70 dB

Singlemode —

Typ. ≤ 0.30 dB
Max. ≤ 1.00 dB

Return Loss — Single mode ≥ 45 dB

Mechanical

Technology — Full ceramic ferrule and sleeve

Mechanically Robust —

ODC plug ≤ 800 N tensile load
ODC socket ≤ 30 N tensile load

Installation Torque Force —

min. 1 Nm
max. 2 Nm.

Operating Temperature —

-40°C up to +85°C

Mating Durability —

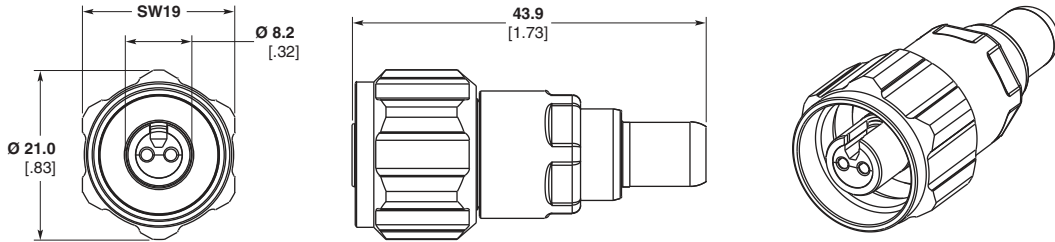
min. 100 cycles

ODC is a product and trademark of HUBER+SUHNER AG.

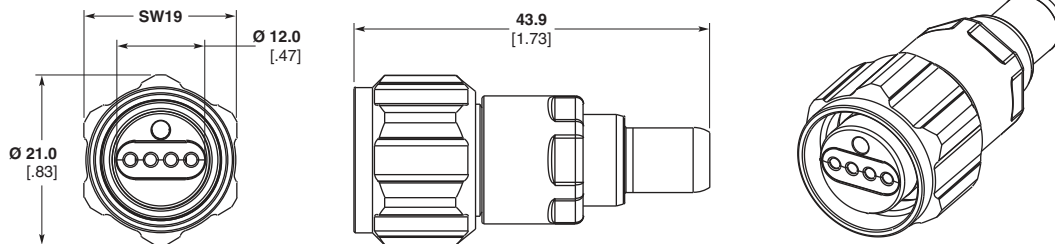
ODC™ Plug and Socket Cable Assemblies (Continued)

Interface Dimensions

2-Fiber ODC Plug



4-Fiber ODC Plug



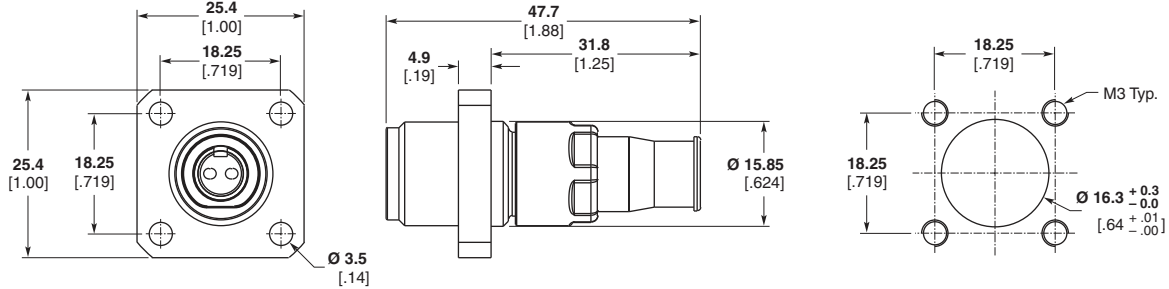
ODC is a product and trademark of HUBER+SÜHNER AG.

ODC™ Plug and Socket Cable Assemblies (Continued)

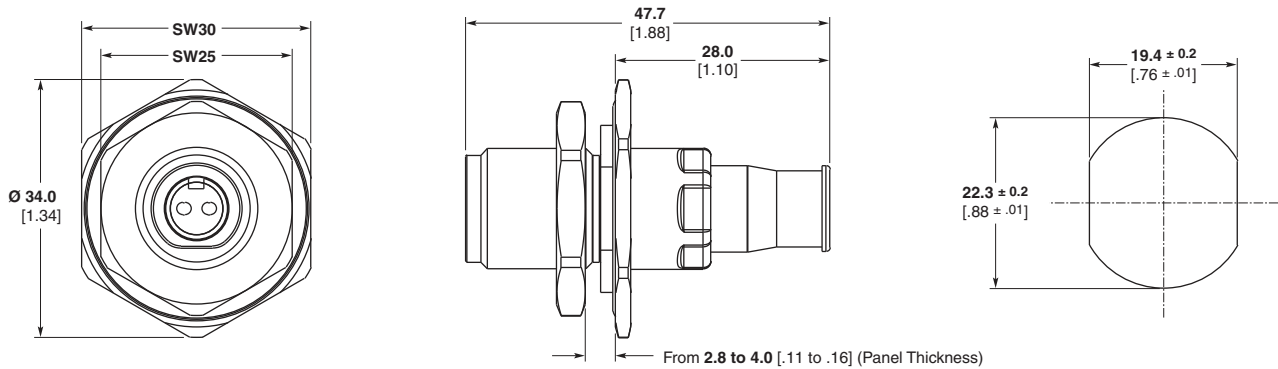
Interface Dimensions

(Continued)

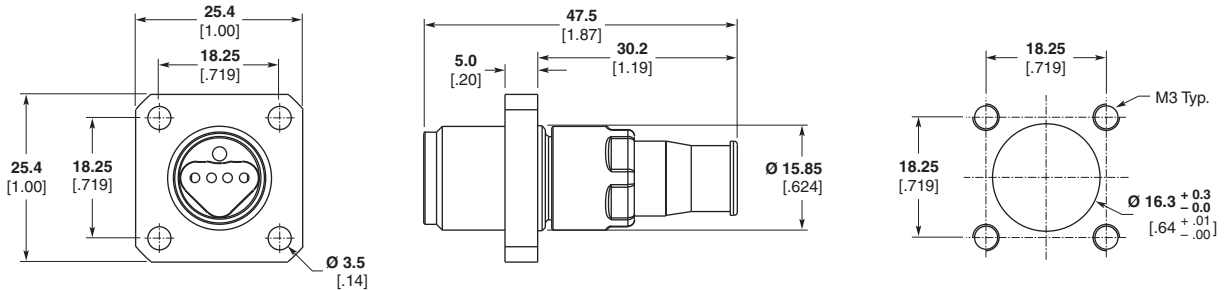
2-Fiber Small Square ODC Socket



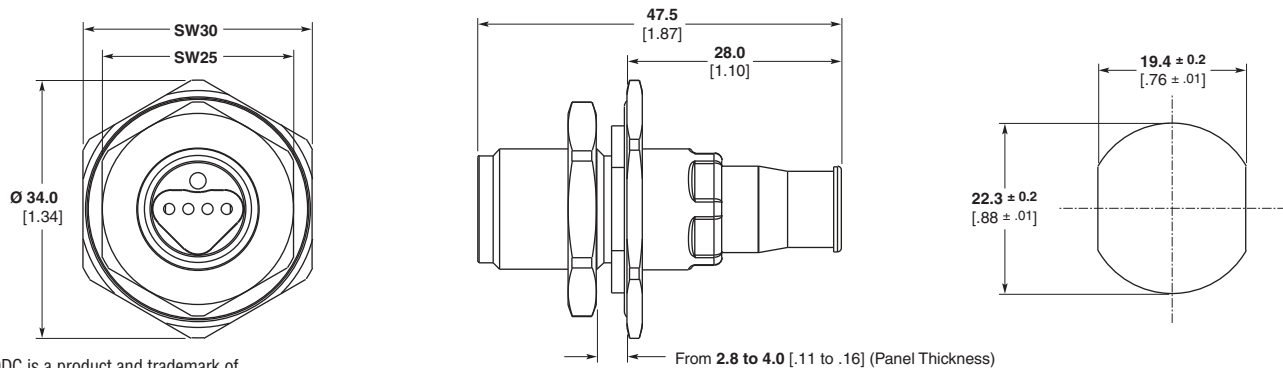
2-Fiber Hexagonal ODC Socket



4-Fiber Small Square Socket



4-Fiber Hexagonal Socket

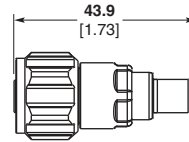
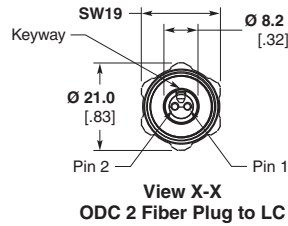


ODC is a product and trademark of HUBER+SUHNER AG.

ODC™ Plug and Socket Cable Assemblies (Continued)

Product Dimensions

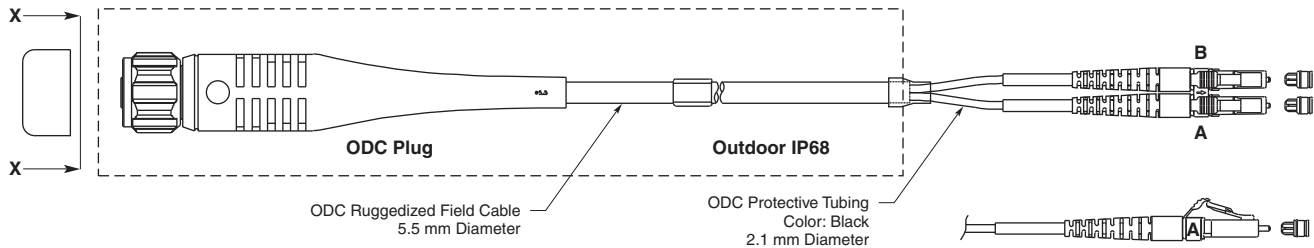
2-Fiber Plug to LC Duplex Assembly



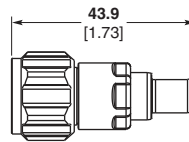
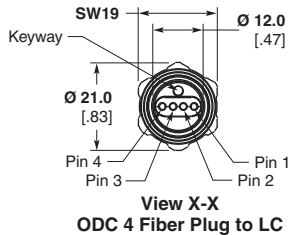
Fiber Path

| ODC Plug | LC Connector |
|----------|--------------|
| Pin 1 | ↔ A |
| Pin 2 | ↔ B |

Note: All dimensions are reference dimensions.



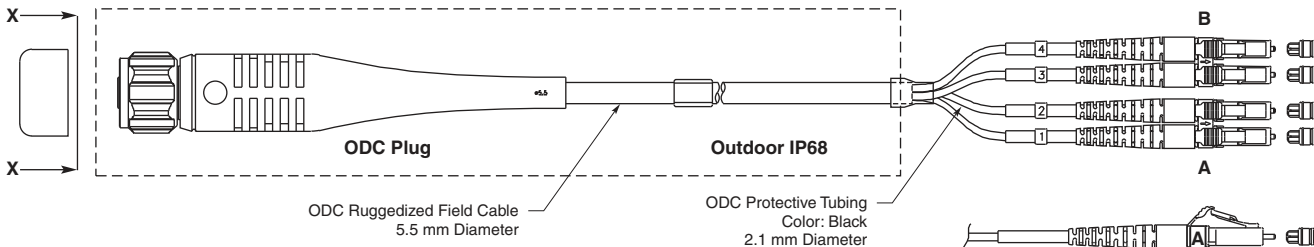
4-Fiber Plug to LC Duplex Assembly



Fiber Path

| ODC Plug | LC Connector |
|----------|--------------|
| Pin 1 | ↔ 1 |
| Pin 2 | ↔ 2 |
| Pin 3 | ↔ 3 |
| Pin 4 | ↔ 4 |

Note: All dimensions are reference dimensions.



Cable Assembly Part Numbers

| Base Part Number ¹ | Description | Fiber Size | Available Sizes |
|-------------------------------|------------------------------------|----------------------|--------------------------------|
| 1985834 | 2-Fiber Plug to LC Duplex Assembly | Singlemode | |
| 1985835 | 2-Fiber Plug to LC Duplex Assembly | Multimode (50/125) | |
| 1985836 | 2-Fiber Plug to LC Duplex Assembly | Multimode (62.5/125) | 1 to 99 meters ² |
| 1985837 | 4-Fiber Plug to LC Duplex Assembly | Multimode (50/125) | |
| 1985838 | 4-Fiber Plug to LC Duplex Assembly | Multimode (62.5/125) | |
| 1985844 | 2-Fiber Plug to LC Duplex Assembly | Singlemode | |
| 1985845 | 2-Fiber Plug to LC Duplex Assembly | Multimode (50/125) | |
| 1985846 | 2-Fiber Plug to LC Duplex Assembly | Multimode (62.5/125) | 100 to 999 meters ³ |
| 1985847 | 4-Fiber Plug to LC Duplex Assembly | Multimode (50/125) | |
| 1985848 | 4-Fiber Plug to LC Duplex Assembly | Multimode (65.5/125) | |

ODC is a product and trademark of HUBER+SUHNER AG.

- For complete part numbers, obtain proper customer drawing.
 - The length is defined by the dash number (i.e.: 8-1985834-2 is 82 meters long, 1-1985834-5 is 15 meters long)
 - The length is defined by the dash number (i.e.: 8-1985844-2 is 820 meters long, 1-1985844-5 is 150 meters long)
- Note: Other dust caps (screw type) and connector types, in combination with ODC Plug (or socket), are available upon request.

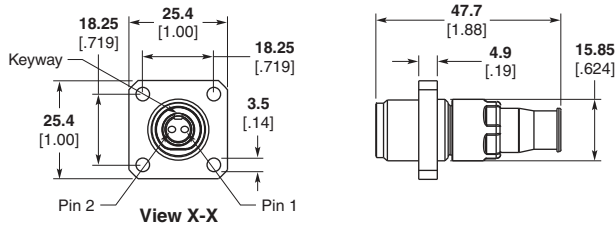
Note: All part numbers are RoHS compliant.

ODC™ Plug and Socket Cable Assemblies (Continued)

Product Dimensions

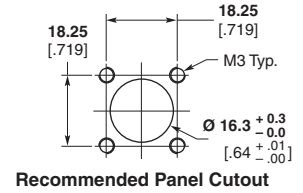
(Continued)

2-Fiber Socket to LC Duplex Assembly



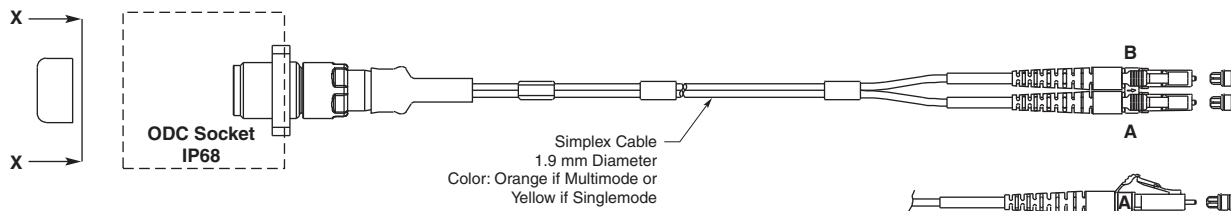
Fiber Path

| ODC Socket | LC Connector |
|------------|--------------|
| Pin 1 | ↔ A |
| Pin 2 | ↔ B |

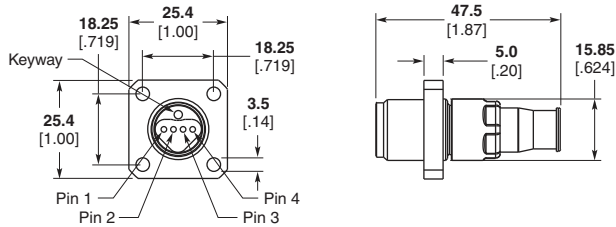


ODC 2 Fiber Socket Small Square to LC

Note: All dimensions are reference dimensions.

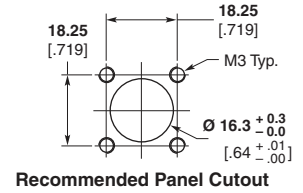


4-Fiber Socket to LC Duplex Assembly



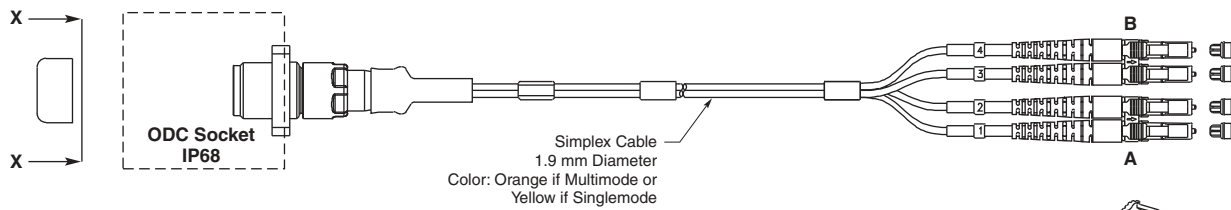
Fiber Path

| ODC Socket | LC Connector |
|------------|--------------|
| Pin 1 | ↔ 2 |
| Pin 2 | ↔ 1 |
| Pin 3 | ↔ 4 |
| Pin 4 | ↔ 3 |



ODC 4 Fiber Socket Small Square to LC

Note: All dimensions are reference dimensions.



| Base Part Number ¹ | Description | Fiber Size | Available Sizes |
|-------------------------------|--------------------------------------|----------------------|--------------------------------|
| 1985839 | 2-Fiber Socket to LC Duplex Assembly | Singlemode | 0.3 to 9.9 meters ² |
| 1985840 | 2-Fiber Socket to LC Duplex Assembly | Multimode (50/125) | |
| 1985841 | 2-Fiber Socket to LC Duplex Assembly | Multimode (62.5/125) | |
| 1985842 | 4-Fiber Socket to LC Duplex Assembly | Multimode (50/125) | |
| 1985843 | 4-Fiber Socket to LC Duplex Assembly | Multimode (62.5/125) | |

1. For complete part numbers, obtain proper customer drawing.
 2. The length is defined by the dash number (i.e.: 3-1985839-5 is 3.5 meters long, 1-1985839-6 is 1.6 meters long)
Note: Other dust caps (screw type) and connector types, in combination with ODC Plug (or socket), are available upon request.

ODC is a product and trademark of HUBER+SUHNER AG.

Note: All part numbers are RoHS compliant.

Max-Travel Fiber to the Antenna Rugged Interconnect

Next generation WiMax and LTE Fiber to the antenna designs require rugged cable assemblies that plug directly into transceivers through a bulkhead.

Max-Travel provides the widest tolerance of transceiver lengths and position, while allowing one handed mating (to facilitate installation at the antenna).

With a Z axis tolerance of 6 mm, it will accommodate the broadest range of transceivers, so end customers can pick the transceiver of their choice.



Product Facts

- Mates with 6 mm variation in transceiver length (6 mm Z Axis Travel)
- One-hand mating
- Duplex LC interface
- Bulkhead cutouts allow for removal of transceiver through the bulkhead (no need to open RRH for transceiver replacement)
- Robust bayonet locking for easy, fast, and secure mating
- Multimode and singlemode
- Water proof, dust proof and corrosion resistant

Applications

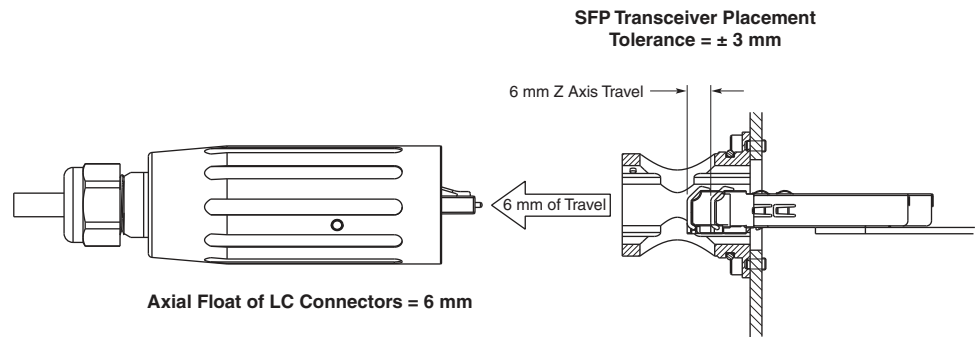
- Base Stations
- Industrial
- Aerospace & Defense

Specifications

- Temperature — $-40^{\circ}\text{C} - +85^{\circ}\text{C}$
- 400 N Pull Force — per IEC61300-2-4
- Protection Class — IP67
- Cycles — 500 Mating Cycles
- Vibration — per GR3115 (3.26.3)
- Salt Mist — per IEC 61300-2-26
- Vibration — per IEC 61300-2-1
- Shock — per IEC 61300-2-9
- Impact — IEC 61300-2-12
- Temperature / Humidity — IEC 61300-2-22

Mechanical

- Retention — 400 N cable retention
- Rating — IP67 Rated
- Interface — LC interface
- Adapter footprint — 36 mm x 37 mm
- Locking Style — Bayonet style
- Shell — Full metal shell for EMI protection
- Duplex LC interconnect — MM or SM
- Tools — No tools required
- Operating Temperature — -40°C to $+85^{\circ}\text{C}$
- Mating Durability — min. 100 cycles



LC ODVA Compliant Connectors

Sealed Circular LC ODVA Compliant Connector

Product Facts

- IP67 rated to ensure protection from dust and water immersion
- LC connector qualified to Telcordia GR-326 and TIA/EIA 568B.3
- Temperature range of -40°C to 85°C
- Bayonet-style mechanical lock
- Flame retardant materials per UL 94 V-0
- Dual mounting bulkhead design
- Singlemode and multimode fiber
- Can be used with cable types 9/125, 50/125 and 62.5/125
- LC to LC internal to the box Jumpers
- LC connector accepts tactical cable with 4.5 mm – 7.5 mm OD
- ODVA Compliant Plug to X interface on tactical with break out
- ODVA Compliant Plug to Plug on tactical cable
- Build to customer need

Applications

The LC ODVA Compliant Connector is ideal for:

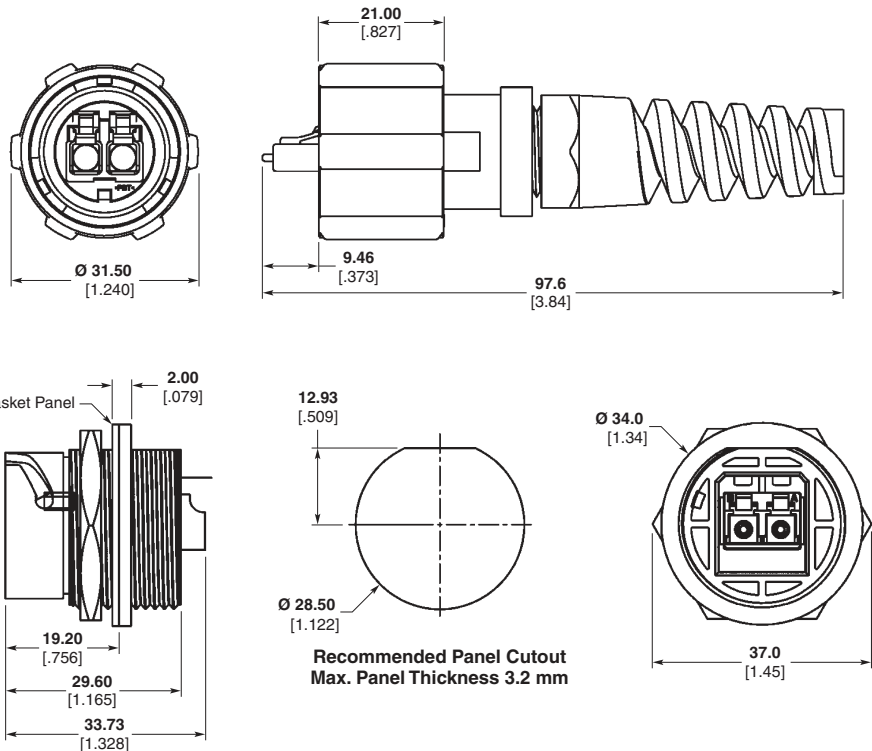
- Harsh environments where chemicals, corrosive gases and liquids are commonplace
- Inside and outside industrial plant and equipment that interface with industrial Ethernet networks
- Remote interface applications such as towers and antennae as well as FTTX in PON and at the home applications
- Mobile routers and internet hardware



Plug Part Numbers:
 1828618-1 (Multimode)
 1828618-2 (Singlemode)

Receptacle Part Numbers:
 1828619-1 (Multimode)
 1828619-2 (Singlemode)

Plug & Receptacle Cap Part Numbers:
 Plug Cap 1828740-1
 Receptacle Cap 1918177-1



Standard Cable Assemblies

| Part Number | Description |
|-------------|--|
| 1828935-X | LC ODVA Compliant Interface, 62.5, 2 Fiber |
| 1828936-X | LC ODVA Compliant Interface, Singlemode, 2 Fiber |

Note: X = length in meters

ASSEMBLY CAPABILITIES

TE has extensive rugged optic harness capabilities.
 Please consult your local TE Sales Representative for assistance.

Note: All part numbers are RoHS compliant.

LC ODVA Compliant Connectors (Continued)

**Sealed Circular LC
Shielded EMI Connector****EMI Shielded Receptacle
Assembly**

- Components are thin film coated using a four-step SS/Cu/Cu/SS vacuum deposition process
- This coating results in an approximate 99% shielding effectiveness over uncoated assemblies

Part Number 1985193-1



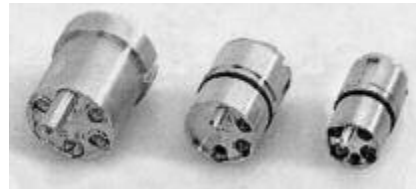
Note: All part numbers are RoHS compliant.

PRO BEAM Expanded Beam Rugged Optics Products

Expanded Beam Products

Product Facts

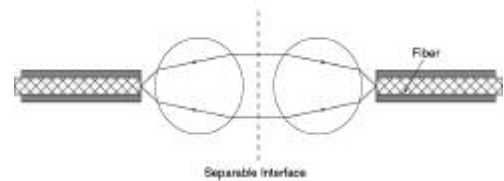
- PRO BEAM Sr., PRO BEAM Jr. and PRO BEAM Mini Connector field deployable interconnects
- ARINC 600 connectors, with inserts/holder blocks designed for Mini Expanded Beam — up to 128 channels on size 3 ARINC 600
- MIL-C-38999 Series III shell size 11 style circular connectors — Cable assemblies up to 4 fibers
- Unique Modular Design, for use with multimode and singlemode fiber
- Tactical cables, cable reels, backpacks
- Cable assembly and termination services
- Ball lens expands cross-sectional area of light over 200 times for multimode and over 2000 times for singlemode
- Rugged hermaphroditic construction (i.e., same insert mates to each other)
- Physically non-contacting mating conditions; no wear, installed fiber ferrule protected by ball lens



From left to right: PRO BEAM Sr., PRO BEAM Jr. & PRO BEAM Mini Expanded Beam inserts.

Fiber Optic Interconnect/Cable System using Expanded Beam technology, which physically expands and collimates the transmission signal into an optical beam over 14 times its original diameter (the cross sectional area of the light beam increases over 200 times for multimode optical signals). For singlemode signals, the collimated beam is over 45 times its original diameter (the cross-

Expanded Beam Technology



Expanded Beam Principle

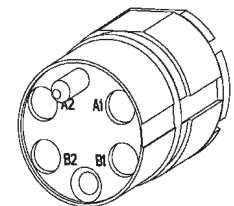
sectional area of the light beam increases over 2,000 times.). It is then refocused back down onto the core of the receiving fiber. This approach provides ease of alignment and low sensitivity to thermal changes and contamination. High strength, precision connector housings enhance a durable connection, optimizing low loss and repeatable performance.

Suitable for aerospace, avionics, field-deployable communications, marine ship-to-shore applications, security systems, mobile diagnostic units, oil and gas exploration and other harsh environment applications demanding strength, durability and reliable performance in conditions of multiple coupling/decouplings, blindmate situations, and high vibration.

Product Facts

- No wear on fiber optic interface; Very vibration resistant
- Easy to handle, easy to clean. Durable connection that is highly resistant to dirt/debris
- Singlemode or multimode
- Common 850/1300 Dual Wavelength, 1310, or 1550 nm wavelengths
- Easy alignment for low-loss, repeatable performance
- Consistent overall optical “link budget” assured
- Low sensitivity to thermal fluctuations and interface contamination
- Repeatable low-loss performance in harsh environments

Expanded Beam Inserts



- PRO BEAM Sr. Insert — the original, larger format, Field Tactical, hermaphroditic Connector System
- PRO BEAM Jr. Insert — the second generation, reduced size, Field Tactical Connector System
- Mini Expanded Beam Insert for multi-channel small form factor — the smallest expanded beam multi-channel insert in the industry, a TE exclusive

ASSEMBLY CAPABILITIES

TE has extensive rugged optic harness capabilities.
Please consult your local TE Sales Representative for assistance.

PRO BEAM Expanded Beam Rugged Optics Products (Continued)

PRO BEAM Jr. Connectors

Performance Specifications

Optical, Multimode Version

Insertion Loss, Typical —
0.7 dB @ 1300 nm*

Optical, Singlemode Version

Insertion Loss, Typical —
0.7 dB @ 1310 nm or 1500 nm*

Return Loss — > 34 dB @ 1310 nm
or 1550 nm**

*When tested with reference quality
launch/receive cable assemblies

**RL Tested Open Ended

Mechanical

Vibration, Sinusoidal —
10 - 500 Hz, 3 directions;
0.75 mm amplitude @ 10g acceleration

Bump — 4,000 Bumps, 6 directions
@ 50g acceleration

Free Fall — 500 falls on concrete;
Severity 1.2 m

Coupling Endurance —
3,000 couplings

Weight —
Plug — 123 grams, typical
D-Hole bulkhead — 102 grams, typical

Temperature

Operational Temperature —
-40°C/+85°C

Storage Temperature —
-55°C/+85°C

Temperature, Cyclic —
-55°C/+85°C

Humidity (Damp Heat) — 95% RH

Immersion

Water — 15 m depth (plug) -
15 m (Bulkhead)

Material and Finish

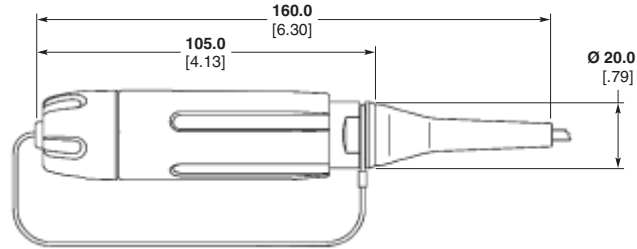
Shell Alloy — Aluminum; or nickel
aluminum bronze (high saline environ-
ment)

**Plating (For Aluminum Shells
Only)** — clear hard anodized; or green
chromate conversion zinc (PRO BEAM
Jr. Bulkheads only)

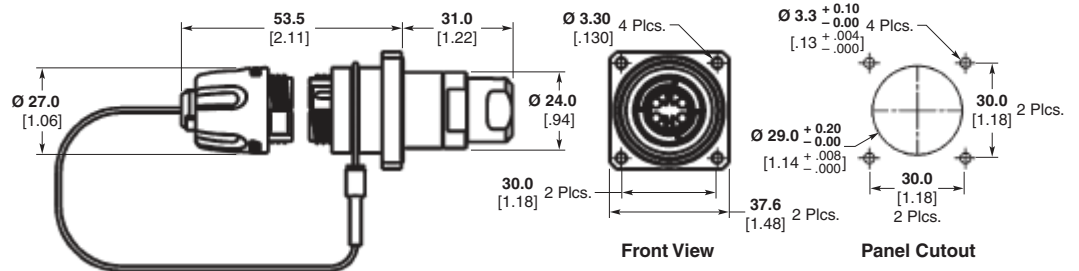
**Bulkhead Connector Panel
Thicknesses**

**PRO BEAM Jr. Bulkhead Connector
D-Hole** — 4 mm max.

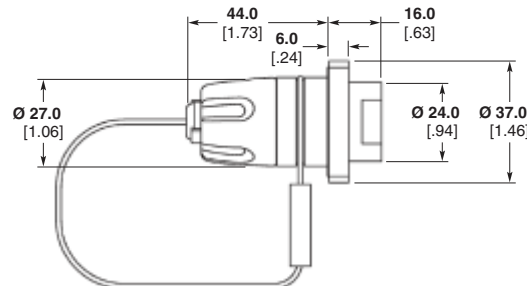
**PRO BEAM Jr. Bulkhead Connector
Square Flange** — 6 mm max.



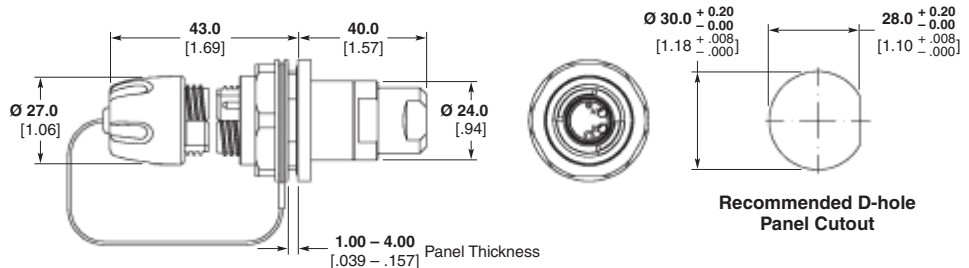
PRO BEAM Jr. Cable Connector, Plug



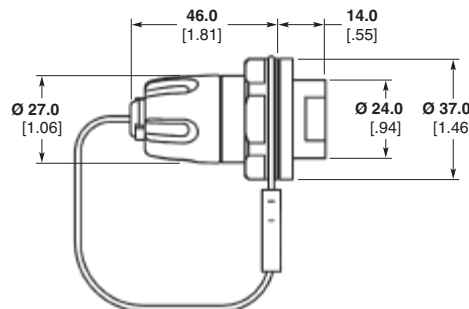
PRO BEAM Jr. Square Flange Mount Bulkhead



**PRO BEAM Jr., Low Profile,
Square Flange Mount Bulkhead**



PRO BEAM Jr. D-Hole Bulkhead, Standard Cable Adapter

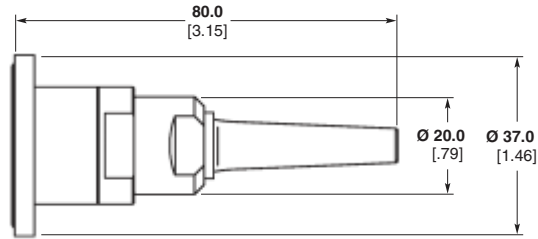


PRO BEAM Jr. Low Profile D-Hole Bulkhead

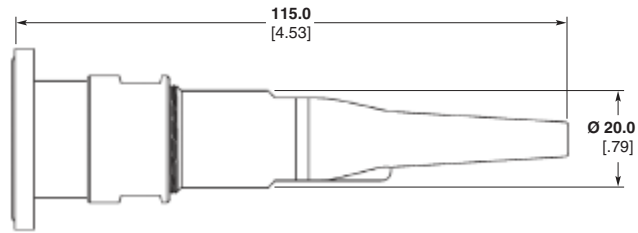
PRO BEAM Expanded Beam Rugged Optics Products (Continued)

PRO BEAM Jr. Connectors

(Continued)



Standard Bulkhead Cable Adapter, with Boot

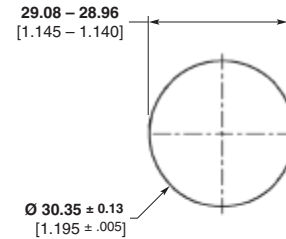
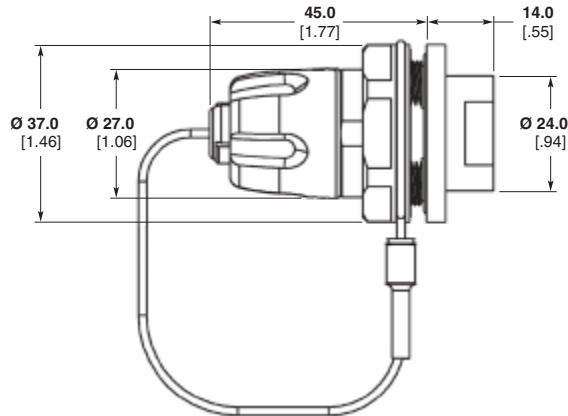


Environmentally Sealed Bulkhead Cable Adapter, with Boot

PRO BEAM Jr. Replacement Receptacles for TFOCA-II Panel Mount Connector Applications

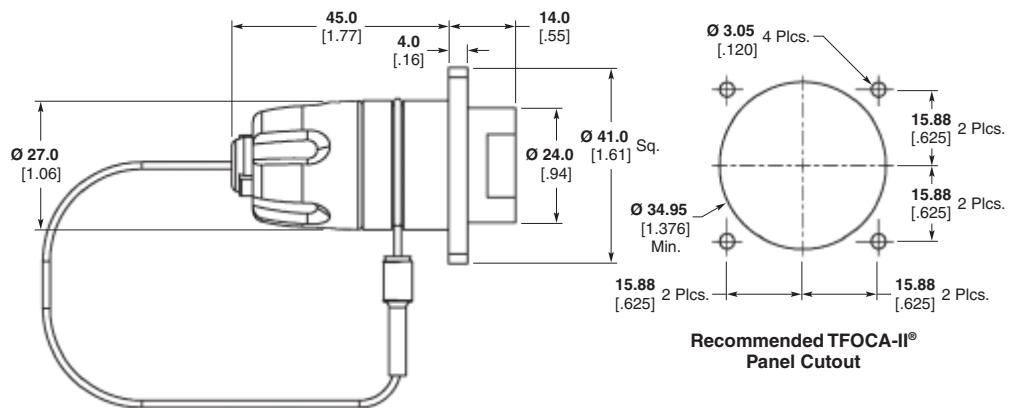
(see page 85 for Part Numbers)

Panel Cutout Dimensions



Recommended TFOCA-II® Panel Cutout

PRO BEAM Jr. D-Hole Low Profile Buffered Fiber Bulkhead Replacement Connector for TFOCA-II Product



Recommended TFOCA-II® Panel Cutout

PRO BEAM Jr. Square Flange, Low Profile, Buffered Fiber Bulkhead Replacement for TFOCA-II Product

TFOCA-II is a trademark of Amphenol Fiber Systems International.

PRO BEAM Expanded Beam Rugged Optics Products (Continued)

PRO BEAM Jr. Connectors
(Continued)

Connector Assembly

- 1 Shell Kit
- 1 Insert Kit
- 1 Cable Adapter Kit*
- X Ferrule Kits (X = No. of optical channels)

Part Numbers listed are Shell alloy = aluminum Plating = hard anodized. Consult TE for other plating/material options such as NiAlBz for Naval applications.

ASSEMBLY CAPABILITIES
TE has extensive rugged optic harness capabilities. Please consult your local TE Sales Representative for assistance.

Technical Documents

Product Specification

108-2177 Design Objectives

Application Specification

114-13099

Instruction Sheets

- 408-8791 Grounding D-Hole Bulkhead
- 408-8797 Plug
- 408-8798 Standard D-Hole Bulkhead
- 408-8811 Sealed D-Hole Bulkhead
- 408-8834 Low Profile Square Flange Bulkhead
- 408-8840 Low Profile D-Hole Bulkhead
- 408-8841 Standard Square Flange Bulkhead

<http://www.te.com/documents>

PRO BEAM Jr. Connector Shell Kits

| Description | Part Number |
|--|-------------|
| PRO BEAM Jr. Plug w/EPDM rubber | 1754436-1 |
| PRO BEAM Jr. Plug w/Fluorosilicone rubber | 1754436-2 |
| PRO BEAM Jr. D-Hole Low Profile, Buffered Fiber Bulkhead | 1693741-1 |
| PRO BEAM Jr. D-Hole Standard Bulkhead | 1754437-1 |
| PRO BEAM Jr. D-Hole Sealed Bulkhead | 1754438-1 |
| PRO BEAM Jr. Square Flange Low Profile Buffered Fiber Bulkhead | 1754439-1 |
| PRO BEAM Jr. Square Flange Standard Bulkhead | 1754440-1 |
| PRO BEAM Jr. Square Flange Sealed Bulkhead | 1754441-1 |

PRO BEAM Jr. Replacement Receptacles for TFOCA-II Panel Mount Connector Applications

| Description | Part Number |
|---|-------------|
| PRO BEAM Jr. TFOCA-II Replacement D-Hole Low-Profile Buffered Fiber Bulkhead | 1754445-1 ♦ |
| PRO BEAM Jr. TFOCA-II Replacement D-Hole Sealed Bulkhead | 1754446-1 ♦ |
| PRO BEAM Jr. TFOCA-II Replacement Square Flange Low-Profile Buffered Fiber Bulkhead | 1754447-1 ♦ |
| PRO BEAM Jr. TFOCA-II Replacement Square Flange Sealed Bulkhead | 1754448-1 ♦ |

PRO BEAM Jr. Insert Kits

| Description | Part Number |
|-----------------------------|-------------|
| 2 x 850 / 1300 nm Multimode | 1515743-1 |
| 2 x 1310 nm Singlemode | 1515739-1 |
| 2 x 1550 nm Singlemode | 1516040-1 |
| 4 x 850 / 1300 nm Multimode | 1515747-1 |
| 4 x 1310 nm Singlemode | 1515740-1 |
| 4 x 1550 nm Singlemode | 1516041-1 |

Ferrule Kits

| Fiber Hole Size | Mode | PRO BEAM Connector | Part Number |
|-----------------|------|--------------------|-------------|
| 125 µm | SM | PRO BEAM Jr. | 1588908-2 |
| 126 µm | SM | PRO BEAM Jr. | 1588908-1 |
| 126 µm | MM | PRO BEAM Jr. | 1588700-1 |

PRO BEAM Jr. Connector Plug & Sealed Bulkhead Cable Adapter Kits

| Cable Dia. (Max.) | Part Number |
|------------------------------------|-----------------------------|
| 3.10 .122 | 1515814-1 |
| 3.60 .142 | 1515781-3 |
| 4.10 .161 | 1515848-2 |
| 4.60 .181 | 1516147-1 |
| 5.10 .201 | 1515834-2 |
| 5.65 .222 | 1515827-2 |
| 6.10 .240 | 1515859-3 |
| 6.70 .264 | 1588116-1 |
| 7.50 .295 (Breakout Cable Only) | 1828168-1 (Plug) |
| 7.50 .295 | 1754719-3 (Sealed Bulkhead) |

PRO BEAM Jr. Connector Standard Bulkhead Cable Adapter Kits*

| Cable Dia. (Max.) | Part Number |
|----------------------|-------------|
| 3.10 [.122] | 1515791-2 |
| 3.60 [.142] | 1515808-1 |
| 5.10 [.201] | 1515835-2 |
| 5.65 [.222] | 1515829-1 |
| 6.10 [.240] | 1515796-2 |
| 4 x 3.00 [4 x .118] | 1515749-1 |

*Standard Cable Adapter — Not applicable for Low Profile.

Note: Part Numbers are RoHS compliant except: ♦ Indicates non-RoHS compliant.

PRO BEAM Expanded Beam Rugged Optics Products (Continued)

PRO BEAM Jr. Connectors

(Continued)

Spare Parts & Tools

Technical Documents

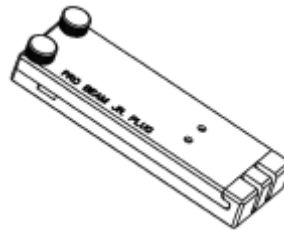
Product Specifications

- 408-8857 Curing Fixtures for PRO BEAM Jr. and PRO BEAM Sr. Connectors
 408-8828 Cleaning Procedure for EB C/A's

Tooling Specifications

- 408-8795 Crimp Tool with Die Set for PRO BEAM Jr. and PRO BEAM Sr. Connectors
 408-10022 Die Assembly for PRO BEAM Mini and PRO BEAM Jr. Circular Crimps

<http://www.te.com/documents>



Curing Fixtures

| Connector | Part Number |
|--|-------------|
| PRO BEAM Jr. Cable Plug (having cable with KEVLAR strength member fiber) | 1693797-1 |
| PRO BEAM Jr. Sealed D-Hole Bulkhead | 1515567-1 |
| PRO BEAM Jr. Standard D-Hole and Square Flange Bulkhead | 1693800-1 |
| PRO BEAM Jr. Low Profile Buffered Fiber Bulkhead | 1754122-1 |

Instruction Sheet 408-8857. Available at www.te.com

Cable Crimp Components

| Description | Part Number |
|--|-------------|
| Crimp Sleeve (use with all PRO BEAM Jr. Connector Crimp Support sizes) | 1515269-2 |
| 2.2 mm Crimp Support | 1515567-1 |
| 3.1 mm Crimp Support | 1515568-1 |
| 3.6 mm Crimp Support | 1515569-1 |
| 3.8 mm Crimp Support | 1515570-1 |
| 4.1 mm Crimp Support | 2-1515270-0 |
| 4.6 mm Crimp Support | 1516142-1 |
| 5.1 mm Crimp Support | 1515571-1 |
| 5.65 mm Crimp Support | 1515572-1 |
| 6.1 mm Crimp Support | 1515573-1 |
| 6.5 mm Crimp Support | 1515574-1 |
| 6.7 mm Crimp Support | 1515575-1 |
| Square Crimp Support for (4) 3 mm Cables | 1515632-1 |

Ferrule Kits

| Fiber Hole Size | Mode | PRO BEAM | Part Number |
|-----------------|------|--------------|-------------|
| 125 μm | SM | PRO BEAM Jr. | 1588908-2 |
| 126 μm | SM | PRO BEAM Jr. | 1588908-1 |
| 126 μm | MM | PRO BEAM Jr. | 1588700-1 |

Protective Caps

| Description | PRO BEAM | Part Number |
|---|--------------|-------------|
| Standard cap, for D-Hole Bulkhead | PRO BEAM Jr. | 1515868-1 |
| Standard cap, for Flange Mount Bulkhead | PRO BEAM Jr. | 1515787-2 |
| Standard cap, for connector plug | PRO BEAM Jr. | 1515867-1 |

Kevlar® is a trademark of E.I. du Pont de Nemours and Company.

Note: All part numbers are RoHS compliant.

PRO BEAM Expanded Beam Rugged Optics Products (Continued)

PRO BEAM Mini Connectors

TE is pleased to announce the natural extension from our PRO BEAM Sr. and PRO BEAM Jr. Connector product lines.

The PRO BEAM Mini Connector saves space and weight and is perfect for high density applications. The product offers the same durability as its larger counterparts.



PRO BEAM Sr., PRO BEAM Jr. & PRO BEAM Mini Connectors



PRO BEAM Mini Plug Connector

Connector Assembly

- 1 Shell Kit
- 1 Insert Kit
- 1 Cable Adapter Kit*
- X Ferrule Kits (X = No. of optical channels)

*Not applicable for Low Profile

PRO BEAM Mini Connector Shell Kits

| Type | Mount Style | Attribute Difference | Part Number | | |
|----------|---------------|------------------------------|---------------|---------------|--------------|
| | | | (HA Aluminum) | (OD Aluminum) | (NiAlBronze) |
| Plug | D-Hole | EPDM Grip | 1828698-1 | N/A | 1828698-2 |
| | | Low Profile - Buffered Fiber | 1828699-1 | 1828699-2 ♦ | 1828699-3 |
| Bulkhead | D-Hole | Low Profile - 1.8 Jacketed | 1985140-1 | 1985140-2 | 1985140-3 |
| | | Sealed | 1918185-1 | * | 1918185-2 |
| | Square Flange | Low Profile - Buffered Fiber | 1828826-1 | * | * |
| | | Neutrik Cutout-Drop-In | 1918603-1 | * | * |

* Contact TE for availability.

PRO BEAM Mini Insert Kits

| Description | Part Number |
|----------------------------------|-------------|
| 2 x 850 / 1300 nm Dual Multimode | 1374759-4 |
| 2 x 1310 nm Singlemode | 1588129-2 |
| 2 x 1550 nm Singlemode | 1588128-2 |
| 4 x 850 / 1300 nm Dual Multimode | 1374759-2 |
| 4 x 1310 nm Singlemode | 1588129-3 |
| 4 x 1550 nm Singlemode | 1588128-3 |

Ferrule Kits

| Fiber Hole Size | Mode | PRO BEAM Connector | Part Number |
|-----------------|------|--------------------|-------------|
| 125 µm | SM | PRO BEAM Mini | 1754700-1 |
| 126 µm | SM | PRO BEAM Mini | 1754700-2 |
| 126 µm | MM | PRO BEAM Mini | 1754699-1 |

PRO BEAM Mini Cable Adapter Kits For Plug

| Cable Diameter | Part Number |
|----------------|-------------|
| 5 mm | 1828700-1 |
| 5.5 mm | 1828700-2 |
| 6 mm | 1828700-3 |

ASSEMBLY CAPABILITIES

TE has extensive rugged optic harness capabilities. Please consult your local TE Sales Representative for assistance.

Note: Part Numbers are RoHS compliant except: ♦ Indicates non-RoHS compliant.

PRO BEAM Expanded Beam Rugged Optics Products (Continued)

PRO BEAM Mini Connectors

(Continued)

Performance Specifications

Optical, Multimode Version

Insertion Loss, Typical —
0.7 dB @ 1300 nm*

Optical, Singlemode Version

Insertion Loss, Typical —
0.8 dB @ 1310 nm*

Return Loss — > 34 dB @ 1310 nm
or 1550 nm**

*When tested with reference quality
launch/receive cable assemblies

**RL Tested Open Ended

Mechanical

Vibration, Sinusoidal —

10 - 500 Hz, 3 directions;
0.75 mm amplitude @ 10g acceleration

Bump — 4,000 Bumps, 3 directions
@ 40g acceleration

Free Fall — 500 falls on concrete;
Severity 1.2 m

Coupling Endurance —

3,000 couplings

Weight —

Plug — 50 grams, typical
D-Hole bulkhead — 39 grams, typical

Temperature

Operational Temperature —

-40°C/+85°C

Storage Temperature —

-55°C/+85°C

Temperature, Cyclic —

-55°C/+85°C

Humidity (Damp Heat) — 95% RH

Immersion

Water — 5 m depth (plug) -
2 m (Bulkhead)

Pressure

Low Pressure — 25 kPa @ -55°C

Material and Finish

Shell Alloy — Aluminum; or nickel
aluminum bronze (high saline environ-
ment)

Plating (For Aluminum Shells

Only) — clear hard anodized; or green
chromate conversion zinc (PRO BEAM
Jr. Bulkheads only)

Technical Documents

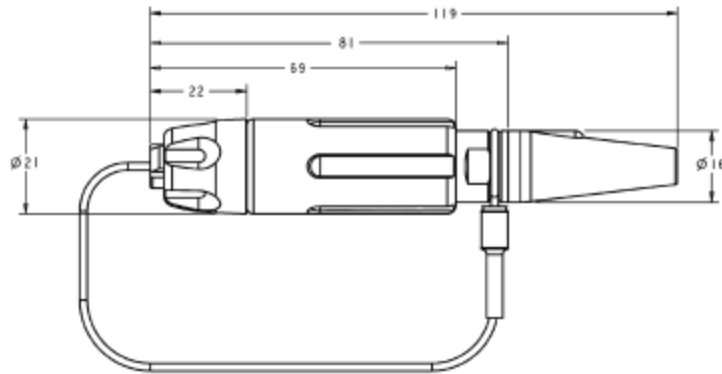
408-10065 Plug

408-10067 Square Flange Bulkhead

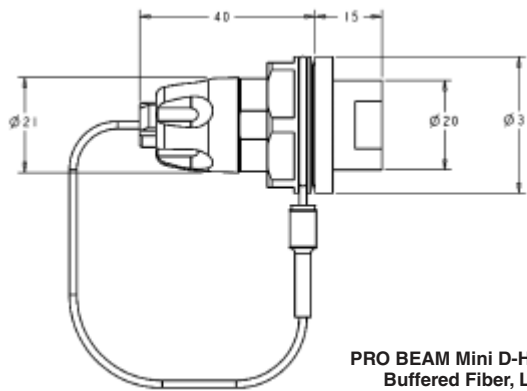
408-10069 Low Profile D-Hole Bulkhead

408-10076 Sealed D-Hole Bulkhead

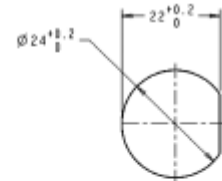
<http://www.te.com/documents>



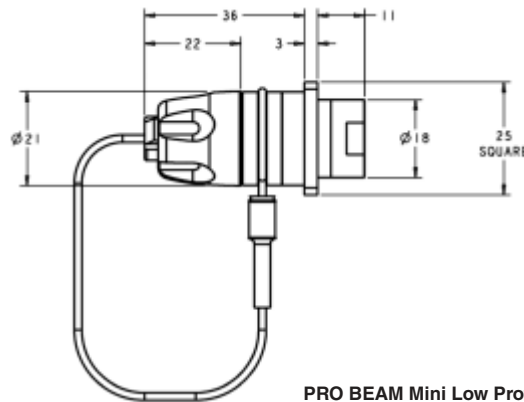
PRO BEAM Mini Cable Connector, Plug



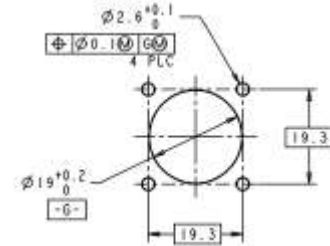
PRO BEAM Mini D-Hole Bulkhead,
Buffered Fiber, Low Profile



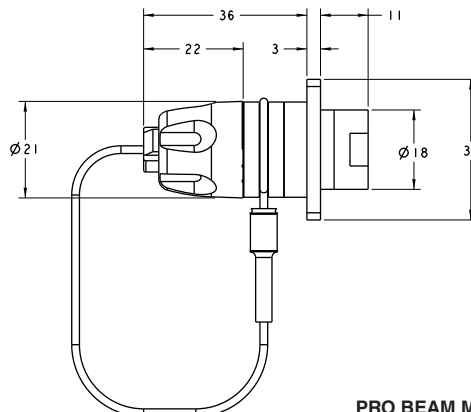
Recommended Panel Cutout



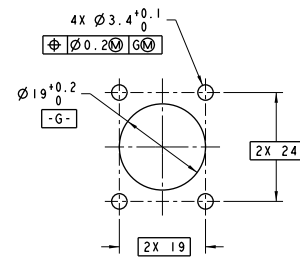
PRO BEAM Mini Low Profile, Square Flange Mount Bulkhead



Recommended Panel Cutout



PRO BEAM Mini Bulkhead with XLR Flange

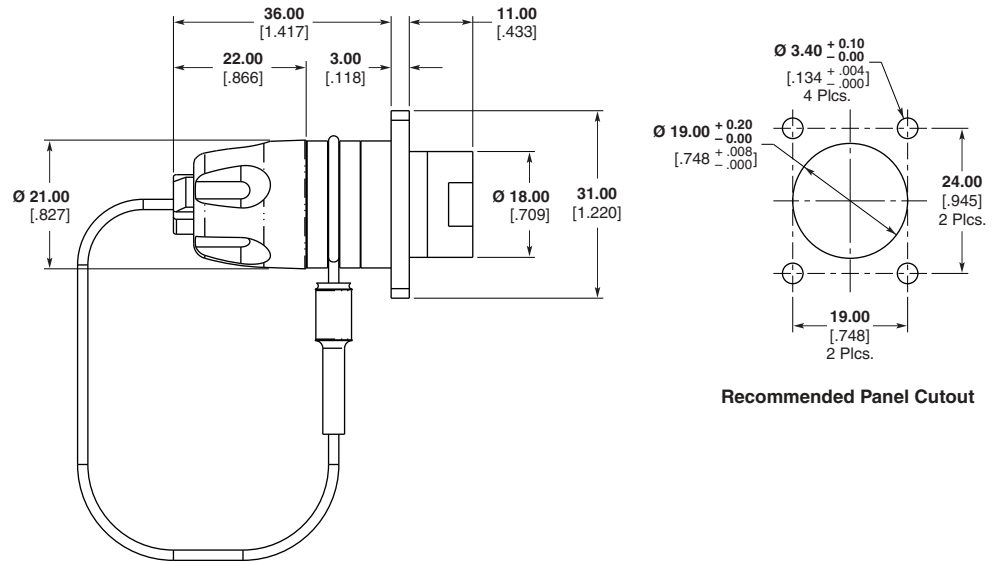


Recommended Panel Cutout

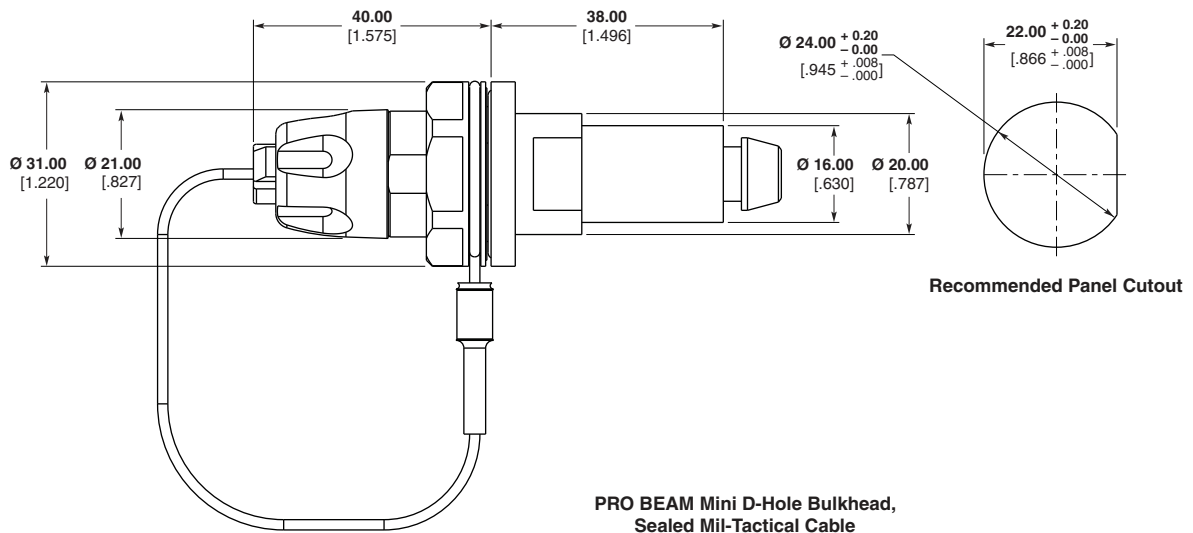
PRO BEAM Expanded Beam Rugged Optics Products (Continued)

PRO BEAM Mini Connectors

(Continued)



**PRO BEAM Mini Low Profile,
Alternate Square Flange Mount Bulkhead**



**PRO BEAM Mini D-Hole Bulkhead,
Sealed Mil-Tactical Cable**

PRO BEAM Expanded Beam Rugged Optics Products (Continued)

PRO BEAM Sr. Connectors

Performance Specifications

Optical, Multimode Version
Insertion Loss, Typical —
 0.7 dB @ 1300 nm*

Optical, Singlemode Version
Insertion Loss, Typical —
 0.7 dB @ 1310 nm*

Return Loss — > 34 dB
 @ 1310 nm or 1550 nm**

*When tested with reference quality launch/receive cable assemblies

**RL Tested Open Ended

Mechanical

Vibration, Sinusoidal —
 10 - 500 Hz, 3 directions;
 0.75 mm amplitude @ 10g acceleration

Bump — 4,000 Bumps, 6 directions,
 @ 50g acceleration

Free Fall — 500 falls on concrete;
 Severity 1.2 m

Coupling Endurance —
 3,000 couplings

Weight —
 Plug — 290 grams, typical
 Chassis bulkhead — 150 grams, typical

Temperature

Operational Temperature —
 -40°C/+85°C

Storage Temperature —
 -55°C/+85°C

Temperature, Cyclic —
 -55°C/+85°C

Humidity (Damp Heat) — 95% RH

Immersion

Water — 5 m depth (plug),
 2 m (Bulkhead)

Material and Finish

Shell Alloy — Aluminum; or nickel aluminum bronze (high saline environment)

Plating (For Aluminum Shells Only) — clear hard anodized

Bulkhead Connector Panel Thicknesses

PRO BEAM Sr. D-Hole Connector —
 6.5 mm max.

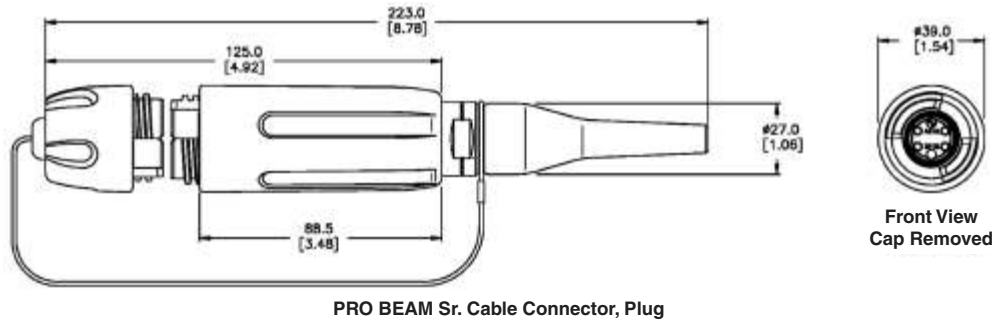
PRO BEAM Sr. Square Flange Connector — 8.5 mm max.

Technical Documents

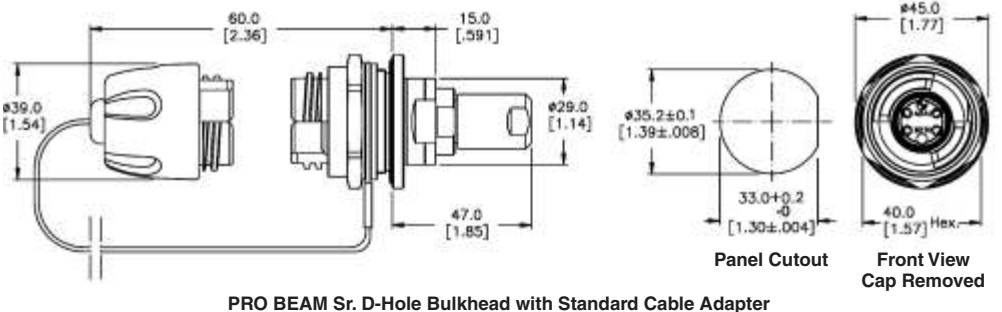
Product Specifications
 408-8799 Plug
 408-8800 D-Hole Bulkhead
 408-8877 Square Flange Bulkhead

Application Specification

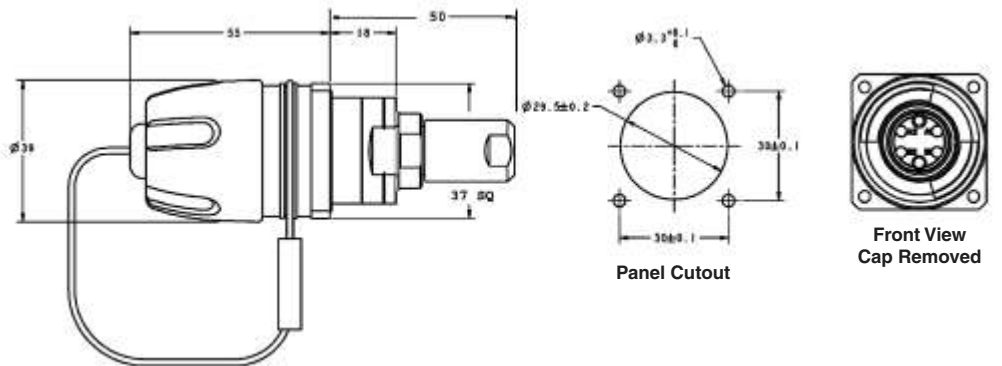
114-13122
<http://www.te.com/documents>



PRO BEAM Sr. Cable Connector, Plug



PRO BEAM Sr. D-Hole Bulkhead with Standard Cable Adapter



PRO BEAM Sr. Square Flange Mount Bulkhead with Standard Cable Adapter

**Please contact your local
 TE Sales Representative
 for Part Numbers and
 availability.**

PRO BEAM Expanded Beam Rugged Optics Products (Continued)

PRO BEAM Sr. Connectors

(Continued)

Connector Assembly

- 1 Shell Kit
- 1 Insert Kit
- 1 Cable Adapter Kit*
- X Ferrule Kits (X = No. of optical channels)

*Not applicable for Low Profile

Part numbers listed are Shell alloy = aluminum Plating = hard anodized. Consult TE for other plating/ material options such as NiAlBz for Naval applications.

| PRO BEAM Sr. Connector Shell Kits | Part Number |
|--|-------------|
| PRO BEAM Sr. Plug w/EPDM rubber | 1754842-1 |
| PRO BEAM Sr. D-Hole Standard Bulkhead | 1754843-1 |
| PRO BEAM Sr. Square Flange Standard Bulkhead | 1754844-1 |

| PRO BEAM Sr. Insert Kits | Part Number |
|-----------------------------|-------------|
| 2 x 850 / 1300 nm Multimode | 1693001-1 |
| 2 x 1310 nm Singlemode | 1515734-2 |
| 4 x 850 / 1300 nm Multimode | 1693001-2 |
| 4 x 1310 nm Singlemode | 1515735-1 |

Ferrule Kits

| Fiber Hole Size | Mode | PRO BEAM Connector | Part Number |
|-----------------|------|--------------------|-------------|
| 125 µm | SM | Sr. | 1515941-1 |
| 126 µm | SM | Sr. | 1515941-2 |
| 126 µm | MM | Sr. | 1588801-1 |

PRO BEAM Sr. Connector Plug Adapter Kits

| Cable Dia. (Max.) | Part Number |
|-------------------|-------------|
| 5.10 .201 | 1515940-1 |
| 5.65 .222 | 1515940-3 |
| 6.20 .244 | 1515940-5 |

PRO BEAM Sr. Connector Standard Bulkhead Cable Adapter Kits

| Cable Dia. (Max.) | Style | Part Number |
|-------------------|------------------------|-------------|
| 5.10 .201 | Standard Cable Adapter | 1515847-1 |
| 5.65 .222 | Standard Cable Adapter | 1515724-2 |
| Buffered Fiber | Low Profile Adapter | 1515299-2 |

Technical Documents

Product Specifications

- 408-8857 Curing Fixtures for PRO BEAM Jr. and PRO BEAM Sr. Connectors
- 408-8828 Cleaning Procedure for EB C/A's

Tooling Specifications

- 408-8795 Crimp Tool with Die Set for PRO BEAM Jr. and PRO BEAM Sr. Connectors
- 408-10022 Die Assembly for PRO BEAM Mini and PRO BEAM Jr. Circular Crimps

<http://www.te.com/documents>

ASSEMBLY CAPABILITIES

TE has extensive rugged optic harness capabilities. Please consult your local TE Sales Representative for assistance.

Note: All part numbers are RoHS compliant.

PRO BEAM Expanded Beam Rugged Optics Products (Continued)

Cable Assemblies and Accessories

Product Facts

- Ruggedized cable assemblies custom tailored for field use in harsh environments
- Heavy-duty light-weight cable reel organizes and protects connectors and cable for easy pay-out and safe storage
- Options for 500 meter reels include special backpack harnesses, a separate reel stand, or a combination reel and reel stand

Featured Cable Assemblies



TFOCA to PRO BEAM Jr. Plug Cable Assembly
1828536-1 ◆

LP D-Hole Bulkhead to 4 ST 62.5/125 on 1.8 mm cable
6828454-1 ◆

Plug to Plug (100 meters)
6754475-2

Typical Reels and Reel Stands for Field-Deployable Cable Assemblies



1918930-1



Tactical Reel/Drum Options

Cable Reels

Reel Capacity (Random Lay)

| Cable Diameter | | Notes/Description | Flange Diameter | Part Number |
|----------------|--------|--|-----------------|-------------|
| 5.0 mm | 5.5 mm | | | |
| 225 M | 186 M | Reel & Reel Stand Combination Reel can be detached from stand without tools | 310 mm | 1918930-1 |
| 297 M | 247 M | Reel* | 310 mm | 1754515-1 |
| 570 M | 462 M | Reel* | 370 mm | 1754515-2 |
| 998 M | 816 M | Reel* | 460 mm | 1754515-3 |
| 1271 M | 1052 M | Reel* | 510 mm | 1754515-4 |

* See Accessories options below

PRO BEAM Jr. Kits

PRO BEAM Jr. Termination Kit
1828650-1

Cleaning Kit
1828335-2

ASSEMBLY CAPABILITIES
TE has extensive rugged optic harness capabilities. Please consult your local TE Sales Representative for assistance.



Backpack with Reel



Reel with Stand "Static Frame"



Backpack Harness

Accessories

| Description | Reel Diameter | Part Number |
|--------------|------------------|-------------|
| Backpack | 370 mm Dia. Reel | 1754516-1* |
| Backpack | 460 mm Dia. Reel | 1754516-2* |
| Backpack | 510 mm Dia. Reel | 1754516-3* |
| Static Frame | 500 mm Dia. Max | 1754517-1* |
| Static Frame | 700 mm Dia. Max | 1754517-2* |

* Reel must be ordered separately.

Note: For lower cost alternative options. Please contact your local TE Sales Representative or TE Product Information Center at 1-800-522-6752.

Note: Part Numbers are RoHS compliant except: ◆ Indicates non-RoHS compliant.

PRO BEAM Expanded Beam Rugged Optics Products (Continued)

**Tactical Field
Splice Repair Kit
Part Number 1985212-1**



Materials List

| Quantity | Description |
|----------|--|
| 4 | Flexible Splice Housings |
| 10 | Mechanical Splices |
| 1 | Cleaver |
| 1 | Cable Stripper |
| 2 | Buffer Stripper (sizes): 126 micron, 200 micron |
| 1 | Utility Knife with 3 Spare Blades |
| 1 | KEVLAR Shears |
| 1 | 6 inch Metal Ruler, (units in metric) |
| 1 | Illuminated Microscope with Batteries |
| 40 | Alcohol (at least 70%) Pads |
| 1 | Wipes, 5 x 8 inch, 280 count box |
| 1 | Plastic Frame Safety Glasses (ANSI approved lenses) |
| 1 | Tweezers |
| 1 | Roll Tape |
| 1 | Fine Tip Marking Pen |
| 1 | Set of Instructions (illustrated) — Waterproof |
| 1 | Portable Field Storage Case. This case shall be ruggedized and house all components necessary to repair broken cable. Dimensions of the case shall not exceed 7.5" H x 20" W x 14" — Black in color. |

KEVLAR is a trademark of E. I. du Pont de Nemours and Company.

Note: All part numbers are RoHS compliant.

PRO BEAM Expanded Beam Rugged Optics Products (Continued)

Optical Test Set for Fiber Optic Cables — Designed for harsh environments

Product Facts

- Especially designed to support the installation of optical links in the field
- Able to test both cable drums and entire links
- Powered by batteries with high autonomy
- Suitable for diagnostics and construction teams
- Easy to use, ergonomic, rugged design
- Suitable for cable length up to 10 km
- Supports up to 4 fibers per cable with various types of connectors



Diagnostic Features

Power Meter

The optical power from any source can easily be measured with the power meter function.

Optical Source

A continuous optical signal is generated and transmitted with selectable output power.

Drum Test / Cable Test

Test of an entire cable drum with automatic good/bad indication. The test of an entire cable is realized with a 2nd KPG-opt or a loop connector.

Test Frames (optional)

The KPG-opt can generate specific test frames as used in optical networks and LOS systems.

Optical Tester

| Description | Part Number |
|---|-------------|
| 850 nm 38999 III Size 11 Optical Test Kit | 1918016-1 |
| 850/1300 nm PRO BEAM Jr. Optical Test Kit | 1918016-2 |
| 1310 nm PRO BEAM Jr. Optical Test Kit | 1985006-1 |

For additional wavelength testers, contact your local TE Sales representative.

| Protective Case |
|-----------------|
| 1918082-1 |

Note: All part numbers are RoHS compliant.

PRO BEAM Expanded Beam Rugged Optics Products (Continued)

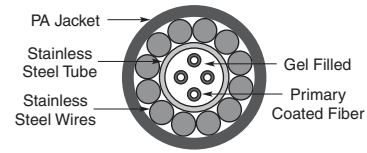
ARMOR-LIGHT Tactical Field Deployable Fiber Optic Cable for Extreme Environments (Metallic for Rodent Proof)



4-Color Optical Fiber Cable Specification for Armored Cable for Ruggedized Applications

Construction:

- 4-color coded fibers
- Fiber types 50/125/250 μm , 62.5/125/250 μm and 9/125/250 μm
- Stainless steel gel filled tube
- Stainless steel wire
- Jacket — Nylon, black



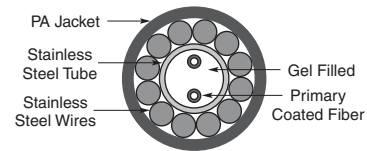
| Fiber Type | Part Number | Outside Dia. (mm) | Weight kg/km | Max. Attenuation dB/km | | | | Bandwidth MHz-km | |
|------------|-------------|-------------------|--------------|------------------------|---------|---------|---------|------------------|---------|
| | | | | 850 nm | 1300 nm | 1310 nm | 1550 nm | 850 nm | 1300 nm |
| 62.5/125 | 1588957-1 | 3.8 | 24 | 3.5 | 1.0 | X | X | 160 | 500 |
| 50/125 | 1588957-2 | 3.8 | 24 | 2.7 | 0.9 | X | X | 400 | 1200 |
| SM | 1588957-4 | 3.8 | 24 | X | X | 0.40 | 0.25 | X | X |

Notes: 35 mm recommended bend radius.
3.1 kN breaking strength.

2-Color Optical Fiber Cable Specification for Armored Cable for Ruggedized Applications

Construction:

- 2-color coded fibers
- Fiber types 50/125/250 μm , 62.5/125/250 μm and 9/125/250 μm
- Stainless steel gel filled tube
- Stainless steel wire
- Jacket — Nylon, black



| Fiber Type | Part Number | Outside Dia. (mm) | Weight kg/km | Max. Attenuation dB/km | | | | Bandwidth MHz-km | |
|------------|-------------|-------------------|--------------|------------------------|---------|---------|---------|------------------|---------|
| | | | | 850 nm | 1300 nm | 1310 nm | 1550 nm | 850 nm | 1300 nm |
| 62.5/125 | 1693808-1 | 3.8 | 24 | 3.5 | 1.0 | X | X | 160 | 500 |
| 50/125 | 1693808-2 | 3.8 | 24 | 2.7 | 0.9 | X | X | 400 | 1200 |
| SM | 1693808-4 | 3.8 | 24 | X | X | 0.40 | 0.25 | X | X |

Notes: 35 mm recommended bend radius.
3.1 kN breaking strength.

Note: All part numbers are RoHS compliant.

Fiber to the Antenna

5

Non-Metallic Tactical Field Deployable Fiber Optic Cable

Product Facts

- All terrain field deployable cable, up to 4 fibers, singlemode or multimode
- Developed for deployment under the most demanding conditions
- Tight buffered fibers are protected by Aramid yarns and a tough ruggedized polyurethane sheath
- Tested in accordance with MIL-PRF-85045
- Flexible, water resistant, high crush resistant, and lightweight,
- Designs available to be resilient against radiation exposure

Technical Data

Mil-Standard Distribution Cable — 2 Fiber Singlemode

Attenuation — ≤ 0.5 dB/km @ 1310 nm / ≤ 0.5 dB/km @ 1550 nm

Diameter — 5.8 mm

Weight — 25 kg/km

Minimum Bending Radius — 29 mm

Crush Resistance — 2000 N/cm

Operating Temperature — -55°C to $+85^\circ\text{C}$

Mil-Standard Distribution Cable — 4 Fiber Singlemode

Attenuation — ≤ 0.5 dB/km @ 1310 nm / ≤ 0.5 dB/km @ 1550 nm

Diameter — 5.8 mm

Weight — 27 kg/km

Minimum Bending Radius — 28 mm

Crush Resistance — 2000 N/cm

Operating Temperature — -55°C to $+85^\circ\text{C}$

Mil-Standard Distribution Cable — 2 Fiber Multimode

Fiber Type — 50 μm /125 μm and 62.5/125

Attenuation — ≤ 3.5 dB/km @ 850 nm / ≤ 1.0 dB/km @ 1300 (62.5/125); ≤ 3.5 dB/km @ 850 nm / ≤ 1.5 dB/km @ 1300 (50/125)

Mil-Standard Distribution Cable — 4 Fiber Multimode

Fiber Type — 50 μm /125 μm and 62.5/125

Attenuation — ≤ 3.5 dB/km @ 850 nm / ≤ 1.0 dB/km @ 1300 (62.5/125); ≤ 3.5 dB/km @ 850 nm / ≤ 1.5 dB/km @ 1300 (80/125)

Other fibers (i.e. Polyimide, Silicon buffer, Carbon coated, radiation hardened, etc.) are available upon request.

Contact TE or your local TE Sales Representative for part numbers, pricing, and availability.

PRO BEAM Expanded Beam Rugged Optics Products (Continued)

Hand Held Visual Fault Locator (VFL)

Product Facts

- 650 nm (visible) Class 2
1.0 mW max Diode Laser
- Continuous and flashing
(2-3 Hz pulsed) modes
- Rugged rubber shell and
body design modeled after a
popular military connector
- Lanyard attached dust cover
- Standard 2.5 mm adapter for
SC, ST, and FC connectors
- Optional 1.25 mm adapter
for LC and MU connectors.
- Unique design allows
adapter to permanently
reside on VFL so it is not
misplaced allowing user to
choose 1.25 mm or 2.5 mm
- Uses 1 "AA" style battery
for >30 hours of continuous
use
- Soft-sided belt case for
convenience and storage



The TE Hand Held Visual Fault Locator (VFL) is a rugged and affordable solution for identifying breaks and bending in optical fibers and cabling. Its powerful, red (650 nm) laser provides the ability to locate damaged, broken, or tightly bent fibers that cause undesirable attenuation in your system.

The jacket of the cable will glow red at the location of the fault. The flash button

allows the user to toggle between continuous or pulsed mode. The compact, rugged, and balanced design is based upon a popular harsh environment fiber optic connector. The single "AA" style battery is good for >30 hours of continuous use and the soft-sided protective case with belt loop provides a convenient and protective means of storage.

Applications

Affordable VFL Solution for:

- Identifying breaks, bends, and other damage in optical fibers
- Tracing fiber paths
- Identifying termination errors
- Continuity testing

Product Dimensions

- Length** — 18.5 cm [7.283 in]
- Width** — 2.2 cm [0.866 in]
- Thickness** — 2.2 cm [0.866 in]
- Weight (w/battery)** — 150 g [0.33 lb]

| Description | Part Number |
|---|-------------|
| Hand Held Visual Fault Locator | 1828352-1 |
| 1.25 mm Adapter for Hand Held VFL | 1828353-1 |
| Includes Part Numbers 1828352-1 and 1828353-1 | 1828352-2 |

**Combination
LIGHTCRIMP PLUS
SC/ST/LC Termination Kit
Part Number 1985162-1**



Note: All part numbers are RoHS compliant.

Part Number Index

Note: This index lists all cataloged parts by base no. only. Complete part nos. (with prefixes and/or suffixes) are shown on the page(s) indicated.

| Part No. | Page | Part No. | Page | Part No. | Page |
|----------|--------|----------|--------|----------|--------|
| 492234 | 19 | 1588700 | 85 | 1919166 | 17 |
| 492305 | 19 | 1588801 | 91 | 1938208 | 14 |
| 492739 | 19 | 1588908 | 85 | 1938209 | 14 |
| 501049 | 46 | 1588957 | 95 | 1938323 | 12, 14 |
| 501050 | 46 | 1693001 | 91 | 1938324 | 12, 14 |
| 501055 | 46 | 1693539 | 41 | 1985140 | 87 |
| 501381 | 43 | 1693540 | 41 | 1985149 | 35 |
| 501457 | 43 | 1693560 | 67 | 1985150 | 35 |
| 502128 | 43 | 1693741 | 85 | 1985193 | 81 |
| 502716 | 32, 33 | 1693808 | 95 | 1985834 | 77 |
| 502750 | 43 | 1695790 | 13, 35 | 1985835 | 77 |
| 503219 | 43 | 1754371 | 32, 48 | 1985836 | 77 |
| 503571 | 42 | 1754436 | 85 | 1985837 | 77 |
| 503970 | 37 | 1754437 | 85 | 1985838 | 77 |
| 504021 | 43 | 1754438 | 85 | 1985839 | 78 |
| 504028 | 46 | 1754439 | 85 | 1985840 | 78 |
| 504031 | 46 | 1754440 | 85 | 1985841 | 78 |
| 1278017 | 47 | 1754441 | 85 | 1985842 | 78 |
| 1278391 | 21 | 1754445 | 85 | 1985843 | 78 |
| 1278530 | 20 | 1754446 | 85 | 1985844 | 77 |
| 1278705 | 37, 38 | 1754447 | 85 | 1985845 | 77 |
| 1374490 | 20 | 1754448 | 85 | 1985846 | 77 |
| 1374491 | 20 | 1754625 | 32 | 1985847 | 77 |
| 1374737 | 32, 33 | 1754682 | 34 | 1985848 | 77 |
| 1374759 | 87 | 1754683 | 34 | 2064184 | 48 |
| 1457062 | 35 | 1754699 | 87 | 2064658 | 13, 34 |
| 1515299 | 91 | 1754700 | 87 | 2064685 | 34 |
| 1515724 | 91 | 1754719 | 85 | 2064687 | 31 |
| 1515734 | 91 | 1754727 | 34 | 2064752 | 13, 34 |
| 1515735 | 91 | 1754842 | 91 | 2064778 | 10 |
| 1515739 | 85 | 1754843 | 91 | 2064779 | 10 |
| 1515740 | 85 | 1754844 | 91 | 2064781 | 10 |
| 1515743 | 85 | 1828028 | 39 | 2064782 | 10 |
| 1515747 | 85 | 1828168 | 85 | 2064792 | 16 |
| 1515749 | 85 | 1828184 | 32, 33 | 2064812 | 10 |
| 1515781 | 85 | 1828456 | 32 | 2064813 | 10 |
| 1515791 | 85 | 1828536 | 92 | 2064814 | 10 |
| 1515796 | 85 | 1828573 | 36 | 2064815 | 10 |
| 1515808 | 85 | 1828574 | 36 | 2064843 | 27 |
| 1515814 | 85 | 1828618 | 80 | 2064844 | 27 |
| 1515827 | 85 | 1828619 | 80 | 2064845 | 27 |
| 1515829 | 85 | 1828698 | 87 | 2064846 | 27 |
| 1515834 | 85 | 1828699 | 87 | 2064847 | 27 |
| 1515835 | 85 | 1828700 | 87 | 2064848 | 27 |
| 1515847 | 91 | 1828740 | 80 | 2064849 | 27 |
| 1515848 | 85 | 1828826 | 87 | 2064850 | 27 |
| 1515859 | 85 | 1828935 | 80 | 2064851 | 27 |
| 1515940 | 91 | 1828936 | 80 | 2064852 | 27 |
| 1515941 | 91 | 1918153 | 31 | 2064853 | 27 |
| 1516040 | 85 | 1918154 | 36 | 2064854 | 27 |
| 1516041 | 85 | 1918177 | 80 | 2064856 | 27 |
| 1516147 | 85 | 1918185 | 87 | 2064858 | 27 |
| 1588116 | 85 | 1918227 | 36 | 2064859 | 27 |
| 1588128 | 87 | 1918228 | 31 | 2064860 | 27 |
| 1588129 | 87 | 1918356 | 47 | 2064861 | 27 |
| 1588153 | 32, 33 | 1918403 | 32, 33 | 2064862 | 12, 27 |
| 1588172 | 16 | 1918404 | 30 | 2064863 | 12, 27 |
| 1588491 | 37, 38 | 1918405 | 30 | 2064865 | 27 |
| | | 1918406 | 30 | 2064866 | 27 |
| | | 1918407 | 30 | 2064867 | 27 |
| | | 1918407 | 30 | 2064868 | 27 |
| | | 1918603 | 87 | 2064869 | 27 |
| | | 1918918 | 32 | | |
| | | | | 2064870 | 27 |
| | | | | 2064871 | 27 |
| | | | | 2064872 | 27 |
| | | | | 2064873 | 27 |
| | | | | 2064874 | 27 |
| | | | | 2064877 | 12 |
| | | | | 2064880 | 12 |
| | | | | 2064883 | 12 |
| | | | | 2064886 | 12 |
| | | | | 2064889 | 12 |
| | | | | 2064937 | 30 |
| | | | | 2064938 | 13, 30 |
| | | | | 2064939 | 13, 36 |
| | | | | 2064940 | 36 |
| | | | | 5209250 | 67 |
| | | | | 5209285 | 68 |
| | | | | 5209570 | 69 |
| | | | | 5209597 | 68 |
| | | | | 5209943 | 67 |
| | | | | 5209948 | 68 |
| | | | | 5417021 | 68 |
| | | | | 5417399 | 69 |
| | | | | 5417549 | 69 |
| | | | | 5492123 | 37 |
| | | | | 5492181 | 46 |
| | | | | 5492221 | 16 |
| | | | | 5492458 | 42 |
| | | | | 5492515 | 24 |
| | | | | 5492642 | 48 |
| | | | | 5492643 | 48 |
| | | | | 5501474 | 43 |
| | | | | 5501506 | 44 |
| | | | | 5502136 | 46 |
| | | | | 5502580 | 42 |
| | | | | 5502585 | 43 |
| | | | | 5502632 | 13, 39 |
| | | | | 5502667 | 43 |
| | | | | 5502674 | 42 |
| | | | | 5502776 | 13, 39 |
| | | | | 5502780 | 40 |
| | | | | 5502781 | 45 |
| | | | | 5503137 | 41 |
| | | | | 5503141 | 27 |
| | | | | 5503415 | 42 |
| | | | | 5503613 | 42 |
| | | | | 5503628 | 43 |
| | | | | 5503640 | 45 |
| | | | | 5503839 | 16 |
| | | | | 5503948 | 37 |
| | | | | 5503971 | 37, 38 |
| | | | | 5504008 | 42 |
| | | | | 5504013 | 44 |
| | | | | 5504014 | 46 |
| | | | | 5504022 | 43 |
| | | | | 5504026 | 46 |
| | | | | 5504118 | 32 |
| | | | | 5504407 | 44 |
| | | | | 5504566 | 46 |
| | | | | 5504567 | 46 |
| | | | | 5504614 | 39 |
| | | | | 5504632 | 13, 39 |
| | | | | 5504634 | 40 |

Part Number Index (Continued)

| Part No. | Page |
|----------|--------|
| 5504640 | 39 |
| 5504649 | 44 |
| 5504655 | 36 |
| 5504657 | 13, 36 |
| 5504663 | 41 |
| 5504883 | 27 |
| 5504915 | 44 |
| 5504927 | 36 |
| 5504928 | 13 |
| 5504936 | 36 |
| 6278049 | 40 |
| 6278050 | 45 |
| 6278051 | 41 |
| 6278079 | 48 |
| 6278082 | 48 |
| 6278309 | 37, 38 |
| 6278348 | 39 |
| 6278349 | 45 |

| Part No. | Page |
|----------|--------|
| 6278350 | 40, 41 |
| 6278398 | 47 |
| 6278399 | 47 |
| 6278529 | 21 |
| 6278750 | 47 |
| 6278751 | 47 |
| 6348522 | 37, 48 |
| 6374150 | 32 |
| 6374223 | 40 |
| 6374392 | 23 |
| 6374448 | 23 |
| 6374493 | 20 |
| 6374537 | 23 |
| 6374538 | 23 |
| 6374539 | 23 |
| 6374600 | 23 |
| 6374639 | 23 |
| 6374738 | 23 |

| Part No. | Page |
|----------|--------|
| 6374743 | 23 |
| 6374887 | 24 |
| 6374906 | 47 |
| 6457078 | 23 |
| 6457173 | 23 |
| 6457174 | 23 |
| 6457394 | 23 |
| 6457398 | 23 |
| 6457493 | 37, 38 |
| 6457543 | 32, 33 |
| 6457567 | 13, 34 |
| 6457981 | 16 |
| 6457983 | 16 |
| 6588189 | 32 |
| 6588291 | 48 |
| 6588572 | 12 |
| 6588573 | 12 |
| 6588612 | 32, 33 |

| Part No. | Page |
|----------|------|
| 6588871 | 70 |
| 6588967 | 17 |
| 6693067 | 17 |
| 6693068 | 17 |
| 6693069 | 17 |
| 6693276 | 48 |
| 6754264 | 44 |
| 6754475 | 92 |
| 6754482 | 48 |
| 6754483 | 48 |
| 6828094 | 31 |
| 6828095 | 31 |
| 6828099 | 36 |
| 6828100 | 36 |
| 6828129 | 31 |
| 6828130 | 31 |
| 6828454 | 92 |

Tooling and Accessories Part Number Index

Note: This index lists all cataloged parts by base no. only. Complete part nos. (with prefixes and/or suffixes) are shown on the page(s) indicated.

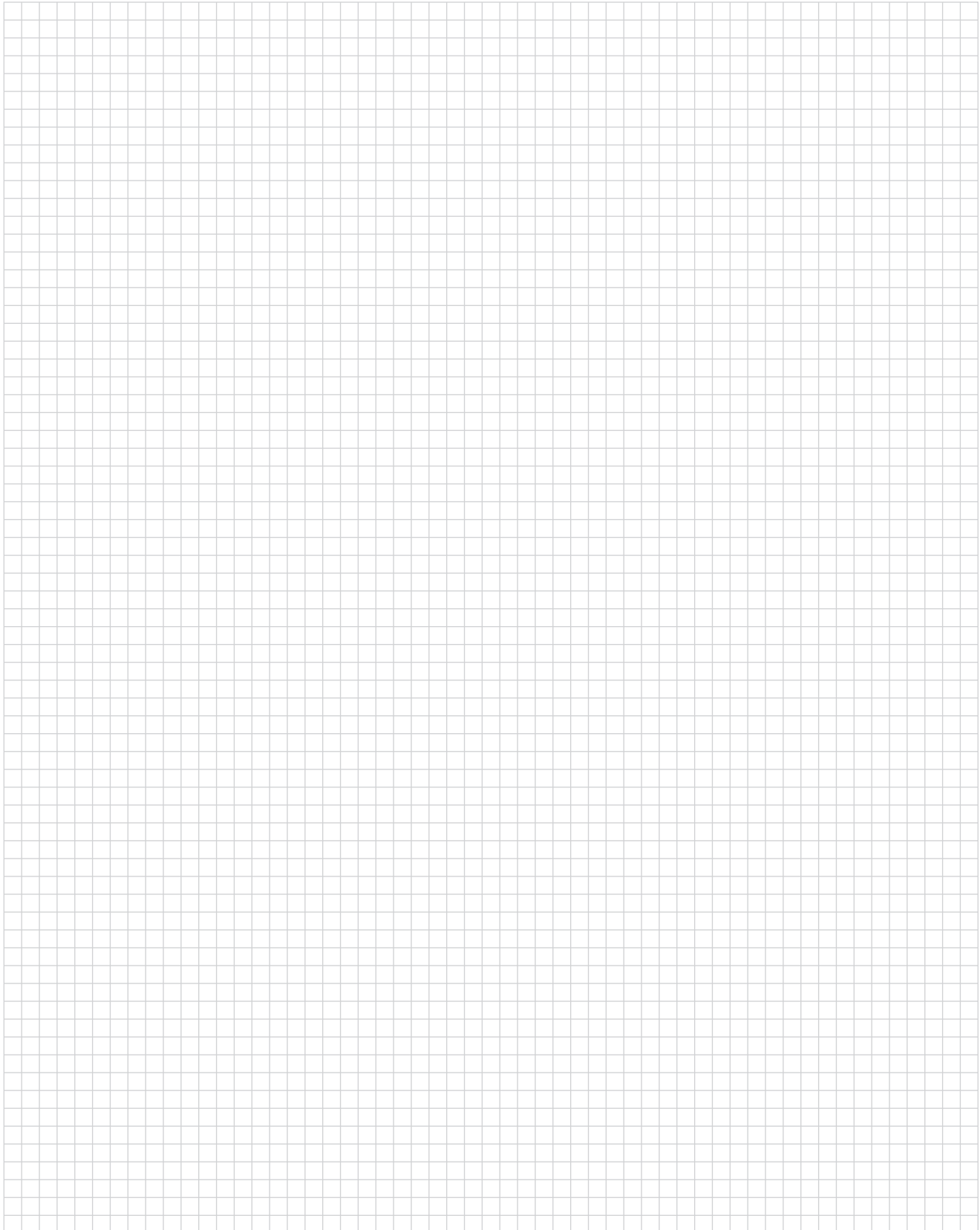
| Part No. | Page |
|----------|------|
| 58424 | 56 |
| 58433 | 56 |
| 58551 | 56 |
| 58552 | 56 |
| 228025 | 56 |
| 492025 | 56 |
| 492026 | 56 |
| 492131 | 56 |
| 492575 | 25 |
| 492577 | 25 |
| 492578 | 25 |
| 492622 | 56 |
| 492623 | 56 |
| 492697 | 49 |
| 492703 | 49 |
| 492782 | 56 |
| 492783 | 56 |
| 501473 | 52 |
| 501818 | 56 |
| 502249 | 56 |
| 502259 | 56 |
| 502418 | 52 |
| 502631 | 56 |
| 502656 | 56 |
| 502862 | 56 |
| 503304 | 56 |
| 503337 | 56 |
| 503705 | 49 |

| Part No. | Page |
|----------|------|
| 503746 | 51 |
| 503890 | 56 |
| 503910 | 56 |
| 503911 | 56 |
| 503967 | 25 |
| 504035 | 52 |
| 504064 | 51 |
| 504290 | 51 |
| 504862 | 56 |
| 1278022 | 49 |
| 1278023 | 49 |
| 1278118 | 49 |
| 1278201 | 25 |
| 1278498 | 25 |
| 1278627 | 56 |
| 1278632 | 56 |
| 1278997 | 52 |
| 1374503 | 49 |
| 1374547 | 25 |
| 1374674 | 25 |
| 1457019 | 25 |
| 1457628 | 52 |
| 1457630 | 56 |
| 1515269 | 86 |
| 1515270 | 86 |
| 1515567 | 86 |
| 1515568 | 86 |
| 1515570 | 86 |
| 1515571 | 86 |
| 1515572 | 86 |
| 1515573 | 86 |

| Part No. | Page |
|----------|--------|
| 1515574 | 86 |
| 1515575 | 86 |
| 1515632 | 86 |
| 1515787 | 86 |
| 1515867 | 86 |
| 1515868 | 86 |
| 1516142 | 86 |
| 1588175 | 56 |
| 1588176 | 52, 56 |
| 1588698 | 16 |
| 1588700 | 86 |
| 1588756 | 52, 56 |
| 1588908 | 86 |
| 1693797 | 86 |
| 1693800 | 86 |
| 1754074 | 52, 56 |
| 1754122 | 86 |
| 1754136 | 56 |
| 1754137 | 56 |
| 1754138 | 49 |
| 1754462 | 52 |
| 1754515 | 92 |
| 1754516 | 92 |
| 1754517 | 92 |
| 1754603 | 51, 52 |
| 1754636 | 56 |
| 1754765 | 53 |
| 1754766 | 53 |
| 1754767 | 25, 53 |
| 1754768 | 53 |
| 1754845 | 49 |
| 1828352 | 96 |

| Part No. | Page |
|----------|--------|
| 1828353 | 96 |
| 1828833 | 53 |
| 1828834 | 25, 53 |
| 1828835 | 25, 53 |
| 1828836 | 53 |
| 1828837 | 53 |
| 1871696 | 50 |
| 1918016 | 94 |
| 1918082 | 94 |
| 1918652 | 52 |
| 1918802 | 26, 54 |
| 1918803 | 26, 54 |
| 1918804 | 54 |
| 1918805 | 54 |
| 1918806 | 26, 54 |
| 1918807 | 55 |
| 1918808 | 55 |
| 1918809 | 26, 54 |
| 1918810 | 55 |
| 1918811 | 55 |
| 1918930 | 92 |
| 1985006 | 94 |
| 1985040 | 53 |
| 1985041 | 53 |
| 1985162 | 96 |
| 1985212 | 93 |
| 2064431 | 56 |
| 2064540 | 49 |
| 5492576 | 25 |
| 5502871 | 25 |
| 6374548 | 25 |
| 6374671 | 25 |

Engineering Notes



te.com

© 2012 Tyco Electronics Corporation, a TE Connectivity Ltd. Company. All Rights Reserved.
1307895 LUG PDF 04/2012

TE Connectivity and the TE connectivity (logo) are trademarks. Other logos, product and/or company names might be trademarks of their respective owners.

