
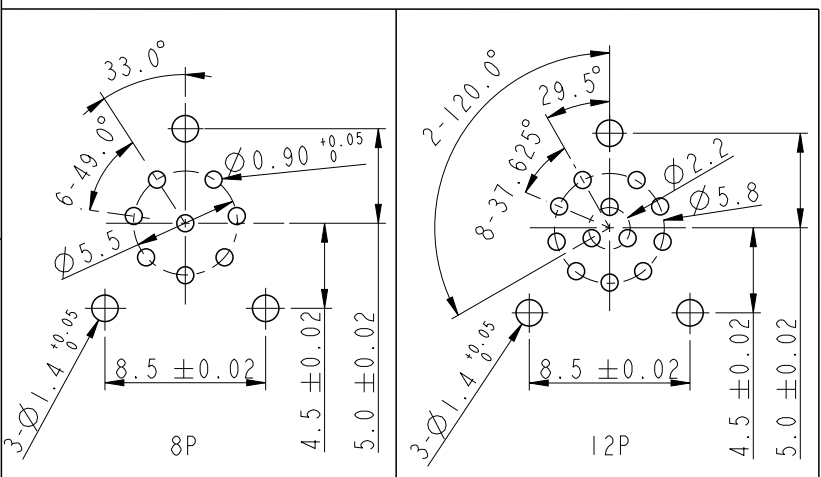
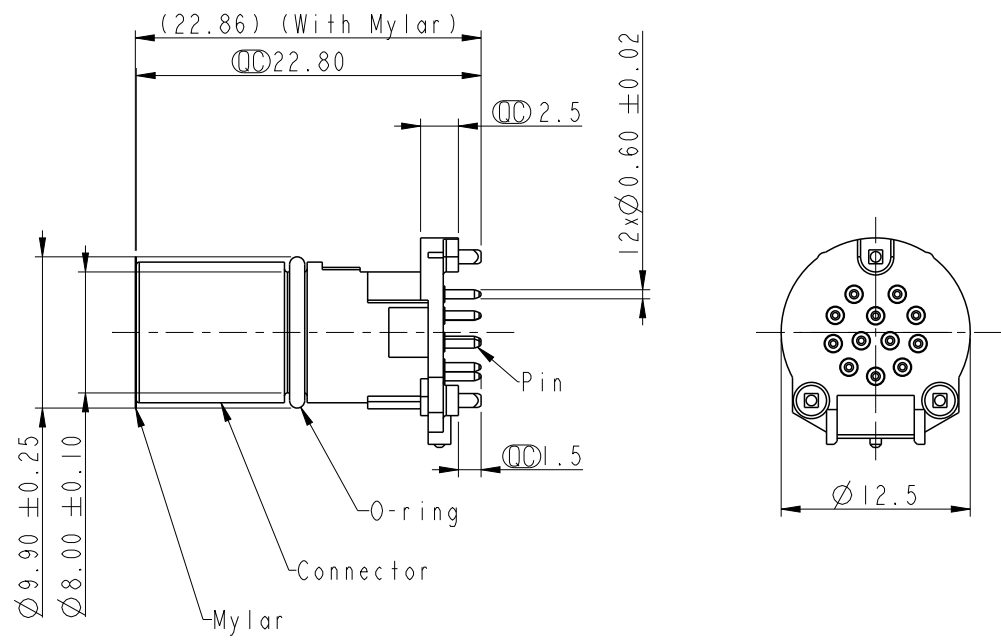


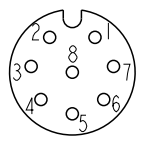
THIS DOCUMENT IS SUBJECT TO CHANGE WITHOUT NOTICE. IT IS CONFIDENTIAL AND A PROPERTY OF Amphenol LTW. DISCLOSURE TO THIRD PARTY HAS TO BE AUTHORIZED BY Amphenol LTW.

REV.	ECN NO.	DATE	SIGN	DESCRIPTION
A		2022/03/03	Roy Lin	Rev.03 to Rev.A
B	C220597	2022/04/13	Roy Lin	 x4

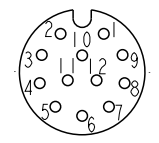
M12A-XXPMP-EE0001
 XX: No. Of Pin



PCB Layout





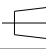

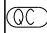
8P



12P

Pin Assignment Front View

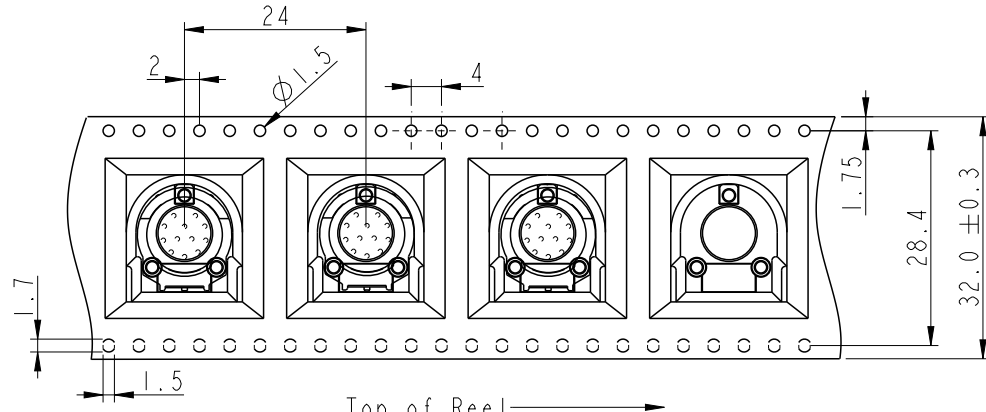
- Note:
- * RoHS Compliant
 - *  Important Dimension
 - * Waterproof Rate: Non-Waterproof
 - * Connector:
 Housing: Thermoplastic, Black
 Pin: Copper Alloy, Gold Plated.
 - * O-ring: Rubber, Gray
 - * Recommend pcb thickness: 1.0 mm

UNIT:mm			TITLE	SEN, CONN, INSERT, M12A MM, OTHERS, 1.5A, 1END						
TOLERANCE	.X ±0.25	.XX ±0.1	SCALE	1:1	SIZE	A4	SHEET	1	OF	3
ANGLES	.XXX ±0.05	±1°	REV.	B	WC-REV.	.0		Inspection item		

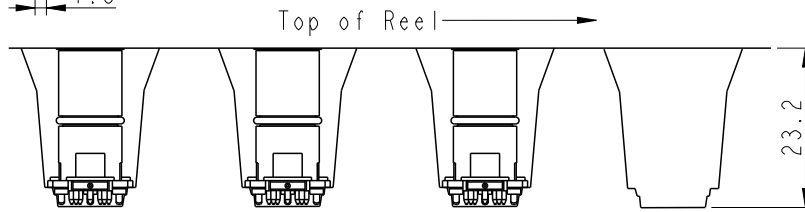
Amphenol LTW
 安費諾亮泰企業股份有限公司

ITEM NO	DRWN BY	DATE
	Roy Lin	2022-03-03
DWG NO	CHECKED BY	DATE
M12A-XXPMP-EE0001	Victor Hung	2022-03-03
CUSTOMER	APPROVED BY	DATE
ALTW	Max Yang	2022-03-03

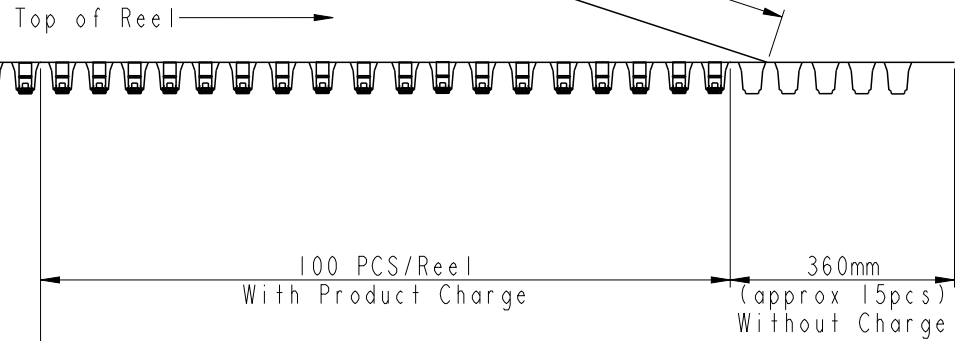
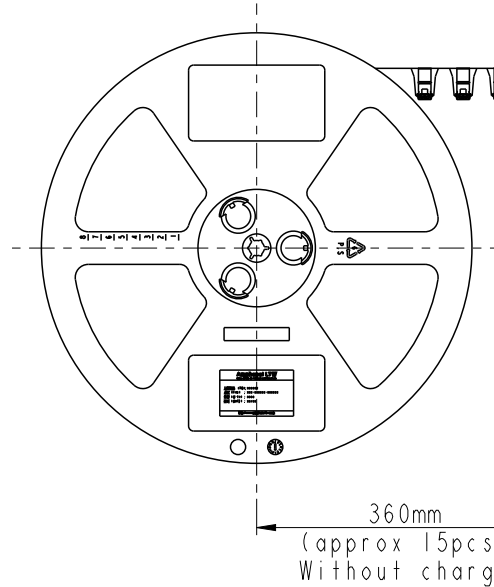
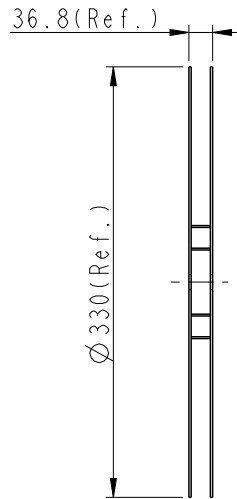
Tape & Reel Information:



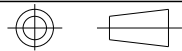
Note:
 * Connector Orientation Follow Drawing



Wide Cover Tape Around
 Out Periphery 1 Turn
 Peeling Strength 0.1~1.3N Max.
 (300±10mm/min)
 Peeling Angle
 165~180°



UNIT:mm



TOLERANCE

TITLE SEN, CONN, INSERT, M12A MM, OTHERS, 1.5A, 1END			
SCALE 1:1	SIZE A4	SHEET 2 OF 3	
REV. B	WC-REV. 1	Inspection item	

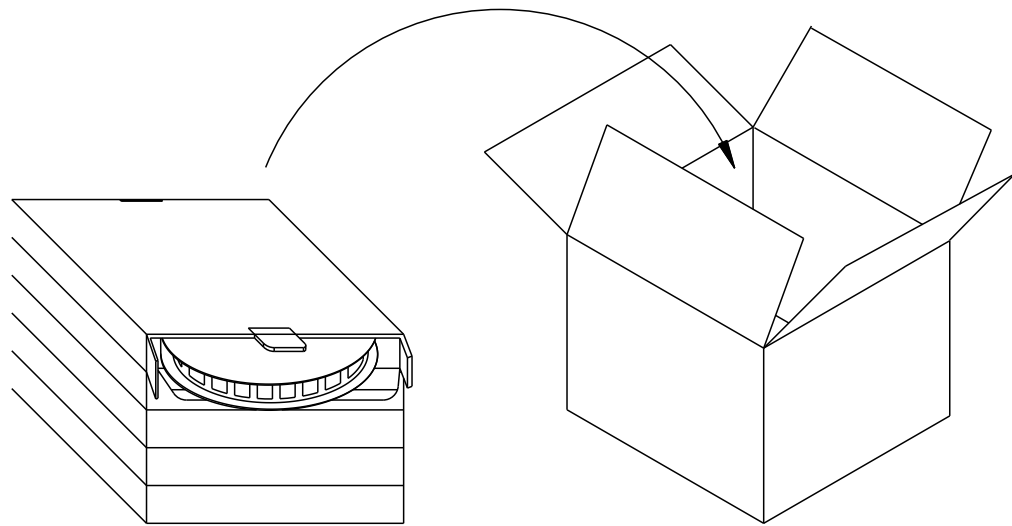
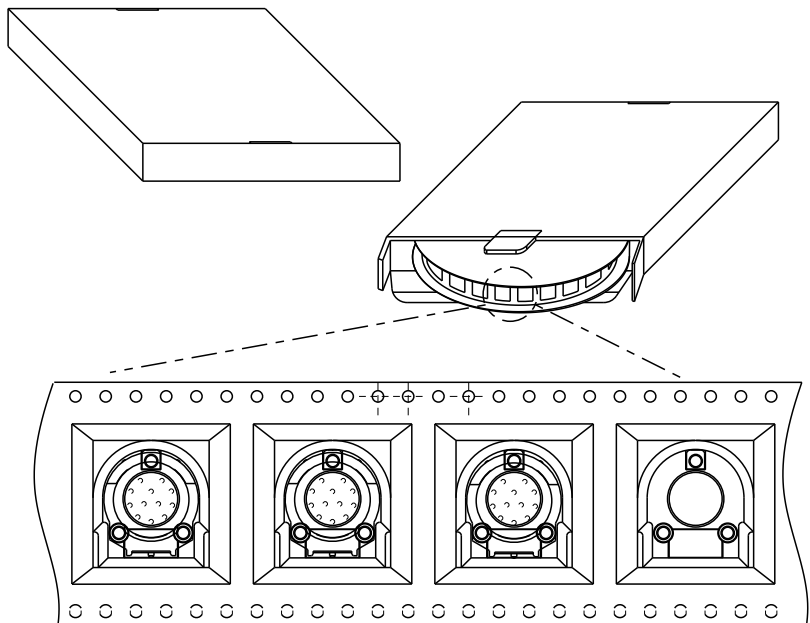
Amphenol LTW
 安費諾亮泰企業股份有限公司

ITEM NO	DRAWN BY Roy Lin	DATE 2022-03-03
DWG NO M12A-XXPMMP-EE0001	CHECKED BY Victor Hung	DATE 2022-03-03
CUSTOMER ALTW	APPROVED BY Max Yang	DATE 2022-03-03

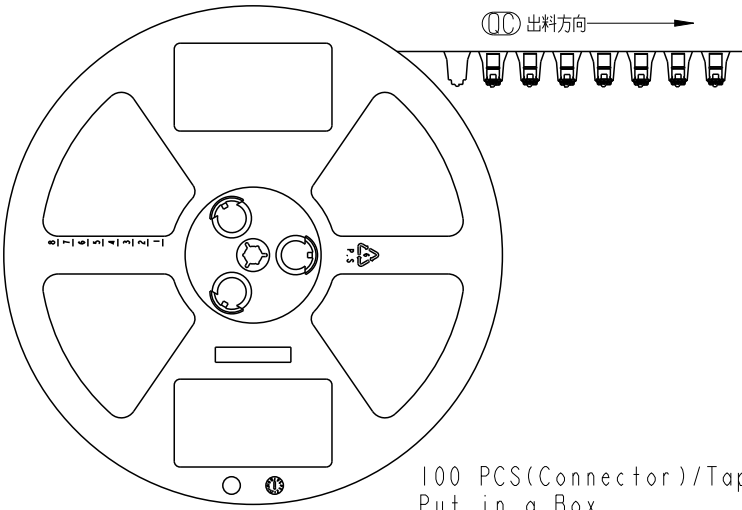
THIS DOCUMENT IS SUBJECT TO CHANGE WITHOUT NOTICE. IT IS CONFIDENTIAL AND A PROPERTY OF Amphenol LTW. DISCLOSURE TO THIRD PARTY HAS TO BE AUTHORIZED BY Amphenol LTW.

THIS DOCUMENT IS SUBJECT TO CHANGE WITHOUT NOTICE. IT IS CONFIDENTIAL AND A PROPERTY OF Amphenol LTW. DISCLOSURE TO THIRD PARTY HAS TO BE AUTHORIZED BY Amphenol LTW.

Package:

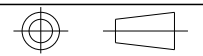


One Carton can put in the 5PCS(Max.) Box
(500 PCS/Carton)



100 PCS(Connector)/Tape&Reel,
Put in a Box

UNIT:mm
TOLERANCE



TITLE SEN, CONN, INSERT, M12A MM, OTHERS, 1.5A, 1END			
SCALE 1:1	SIZE A4	SHEET 3 OF 3	
REV. B	WC-REV. 1	☉: Inspection item	

Amphenol LTW
安費諾亮泰企業股份有限公司

ITEM NO	DWG NO M12A-XXPMMP-EE0001
CUSTOMER ALTW	

DRAWN BY Roy Lin	CHECKED BY Victor Hung
APPROVED BY Max Yang	

DATE 2022-03-03	DATE 2022-03-03
DATE 2022-03-03	