

6

5

4

3

2

1

E

E

D

D

C

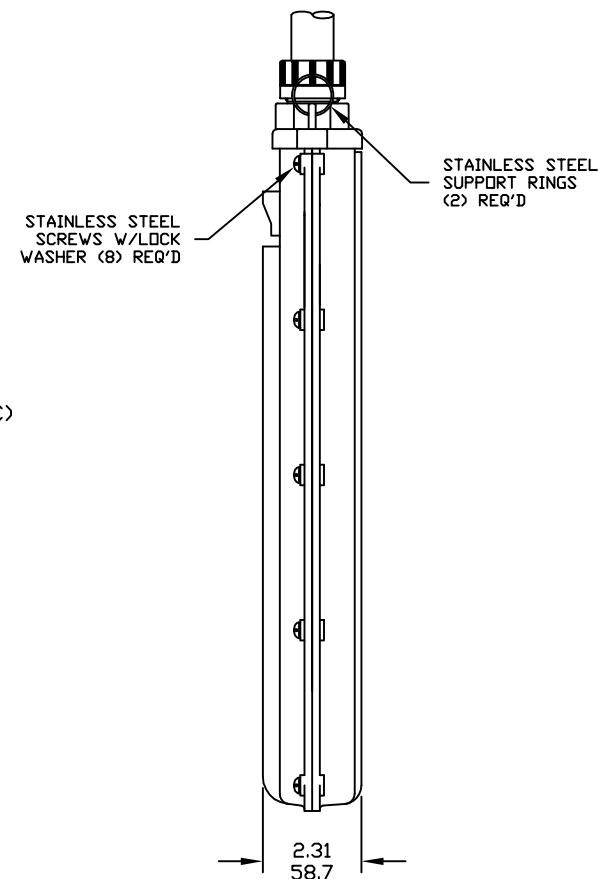
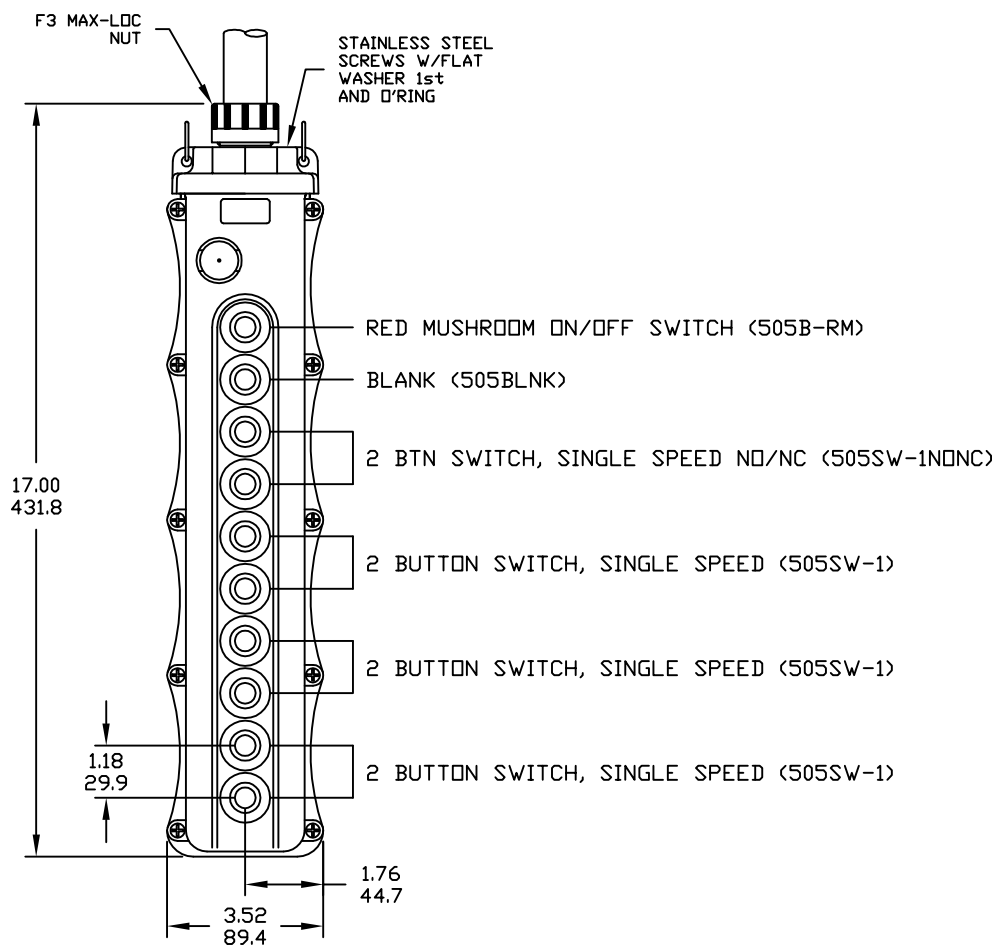
C

B

B

A

A



5060-SM-BL-AB2-A2-A2-A2

NOTES:

1. ALL DIMENSION ARE REFERENCE ONLY.

| | | | | | | | | | |
|---|--------------------------------|--|-------------|---|--------------------|--------------|--|------------------------|--|
| CUSTOMER APPROVAL EC NO: WNA2009-0039 DRWN: HKNEELAN 2008/07/16 CHKD: JP 2008/07/16 APPR: JPAWLICK 2008/07/25 | QUALITY SYMBOLS ▽=0 ▽C=0 | GENERAL TOLERANCES (UNLESS SPECIFIED) | | DIMENSION STYLE INCH/MM | | SCALE NTS | DESIGN UNITS INCH | THIRD ANGLE PROJECTION | |
| | | | mm | INCH | DRAWN BY | DATE | TITLE | | |
| | | 4 PLACES | ±--- | ±--- | HK | 2008/07/16 | PENDANT STATION 5060 W/505B-RM 505SW-1N0NC | | |
| | | 3 PLACES | ±--- | ±--- | CHECKED BY | DATE | | | |
| | | 2 PLACES | ±--- | ±--- | HK | 2008/07/16 | | | |
| 1 PLACE | ±--- | ±--- | APPROVED BY | DATE | MOLEX INCORPORATED | | | | |
| | | ANGULAR ±--- | | | | | | | |
| | | DRAFT WHERE APPLICABLE MUST REMAIN WITHIN DIMENSIONS | | MATERIAL NO. | 1301260292 | DOCUMENT NO. | SD-130126-014 | SHEET NO. 1 OF 1 | |
| A | | SIZE | A | THIS DRAWING CONTAINS INFORMATION THAT IS PROPRIETARY TO MOLEX INCORPORATED AND SHOULD NOT BE USED WITHOUT WRITTEN PERMISSION | | | | | |

6

5

4

3

2

1