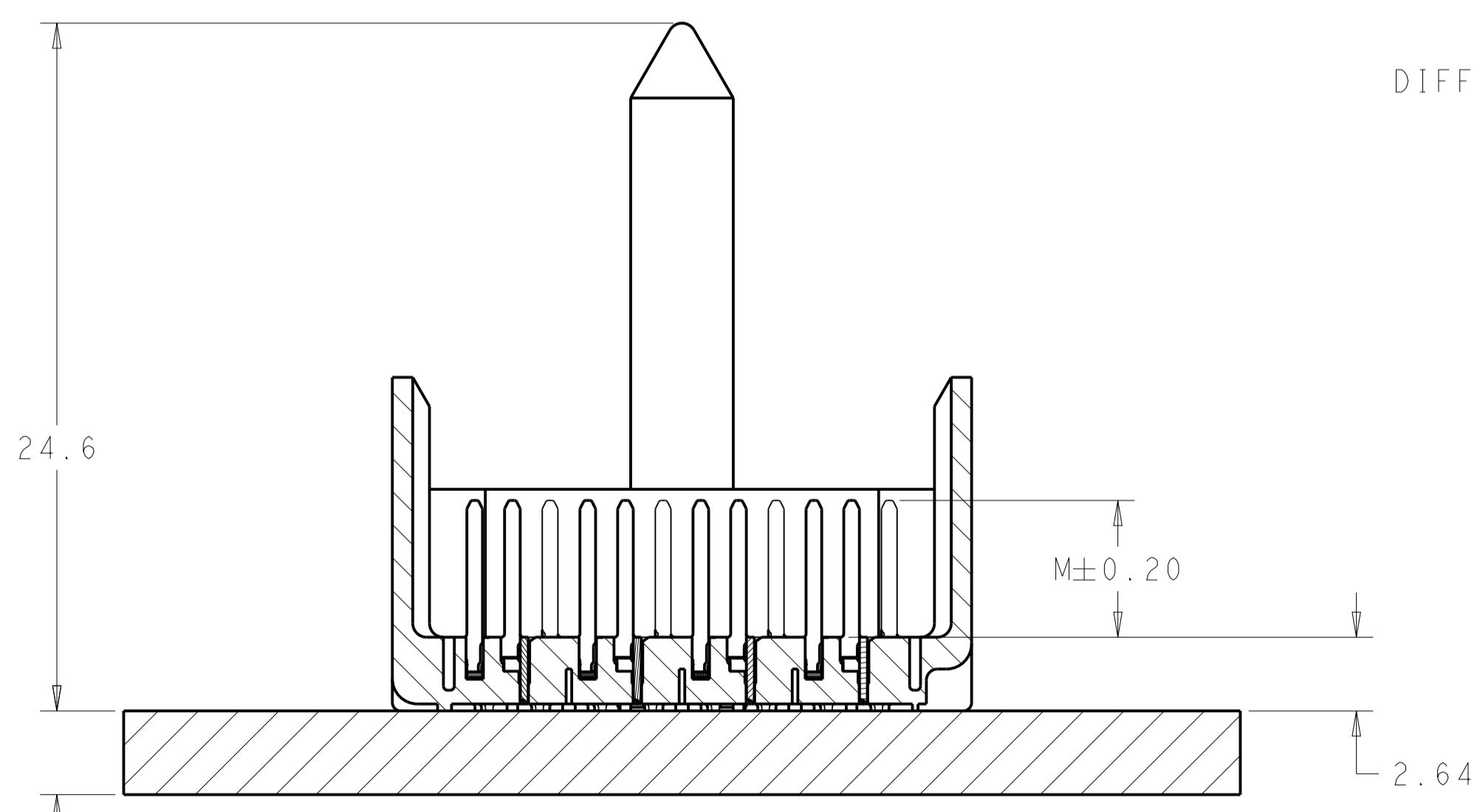
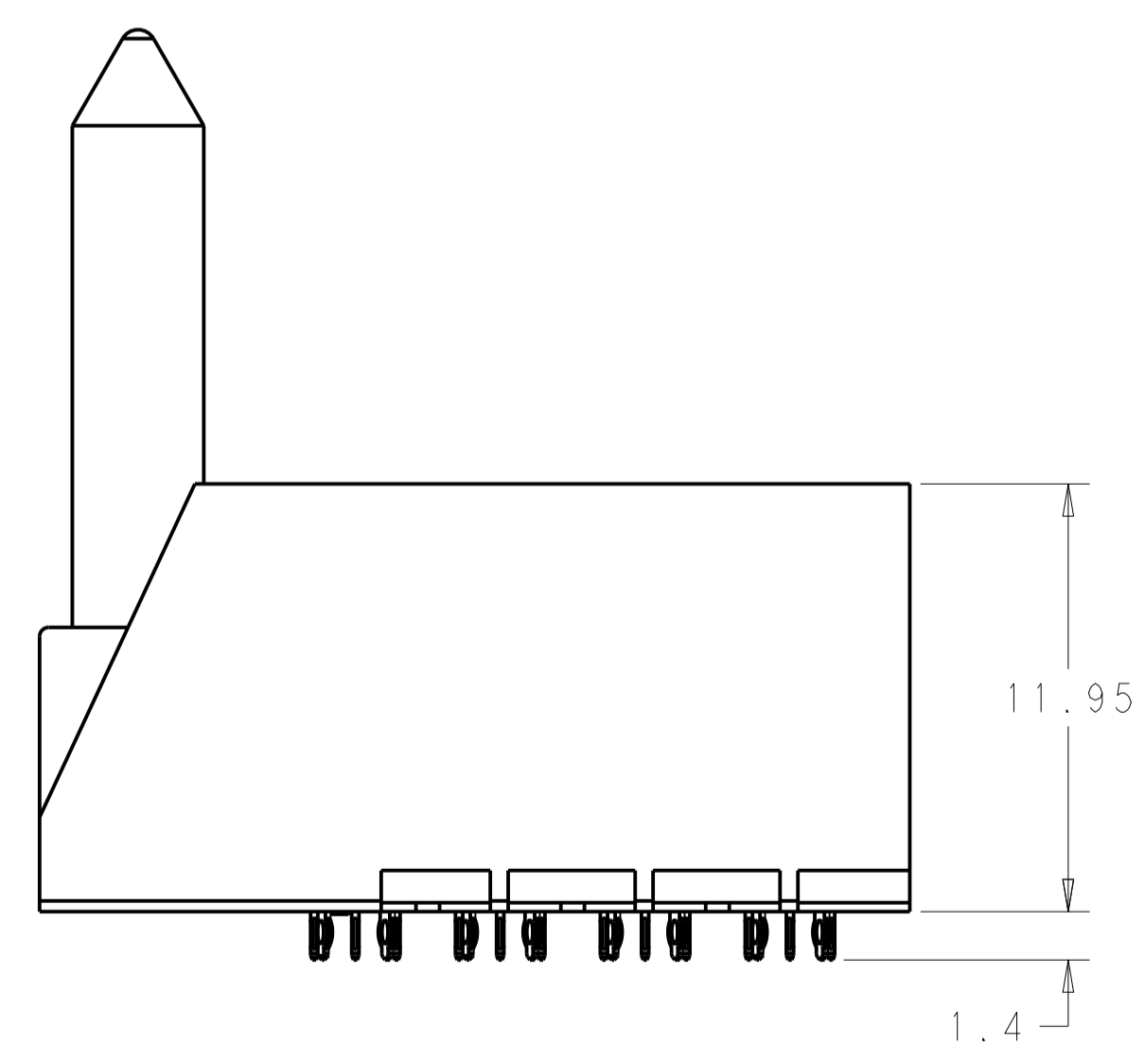
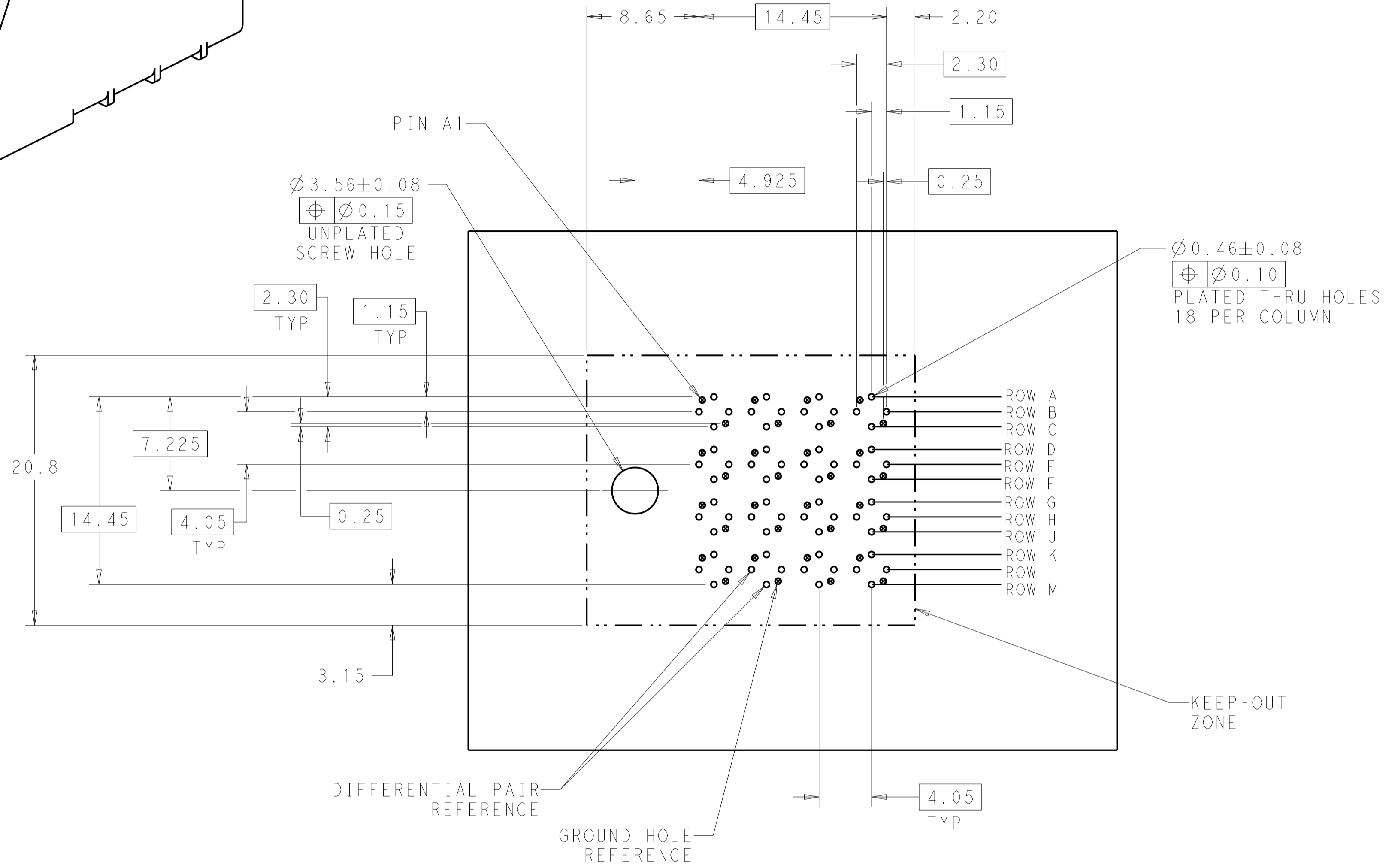
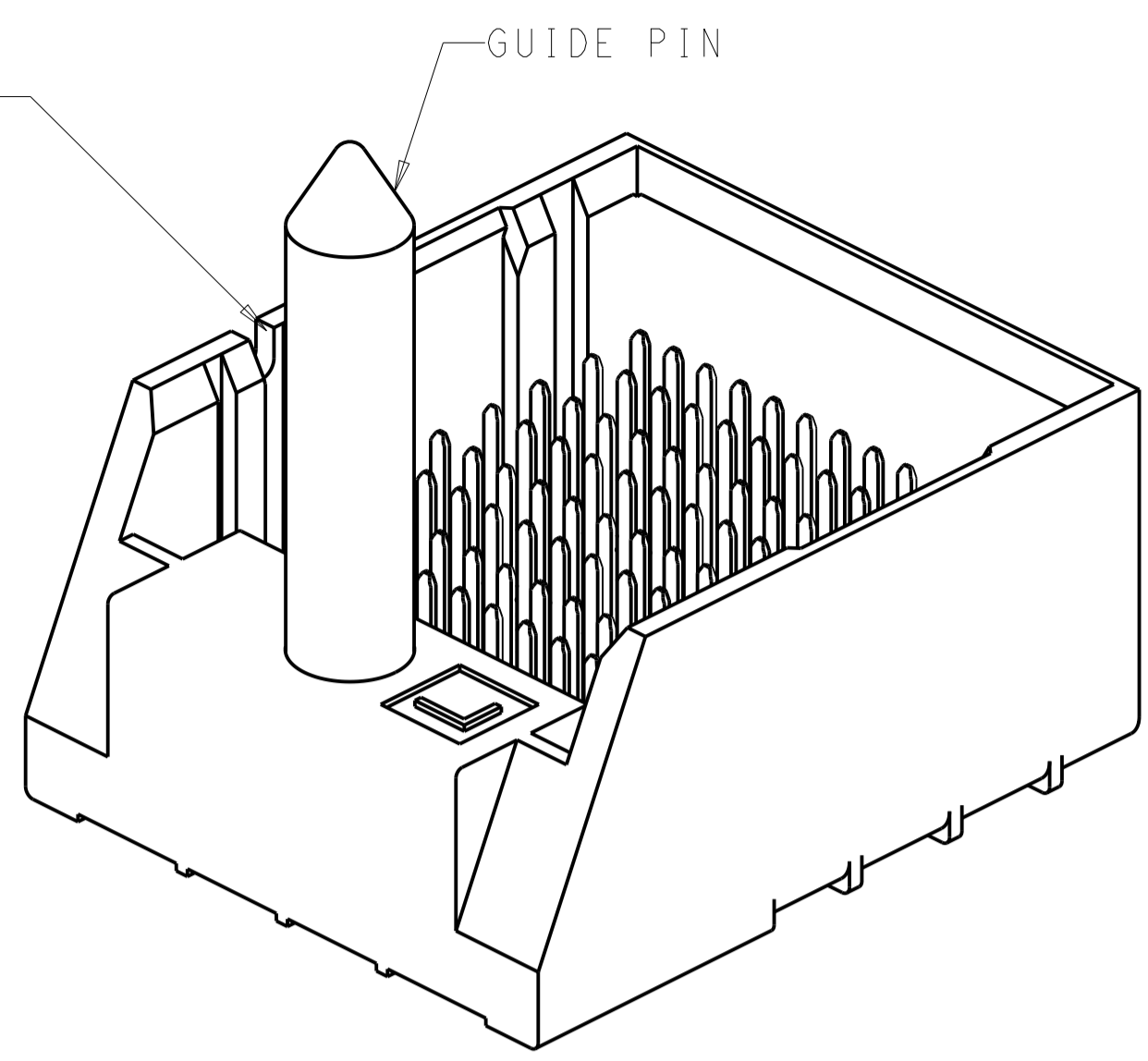
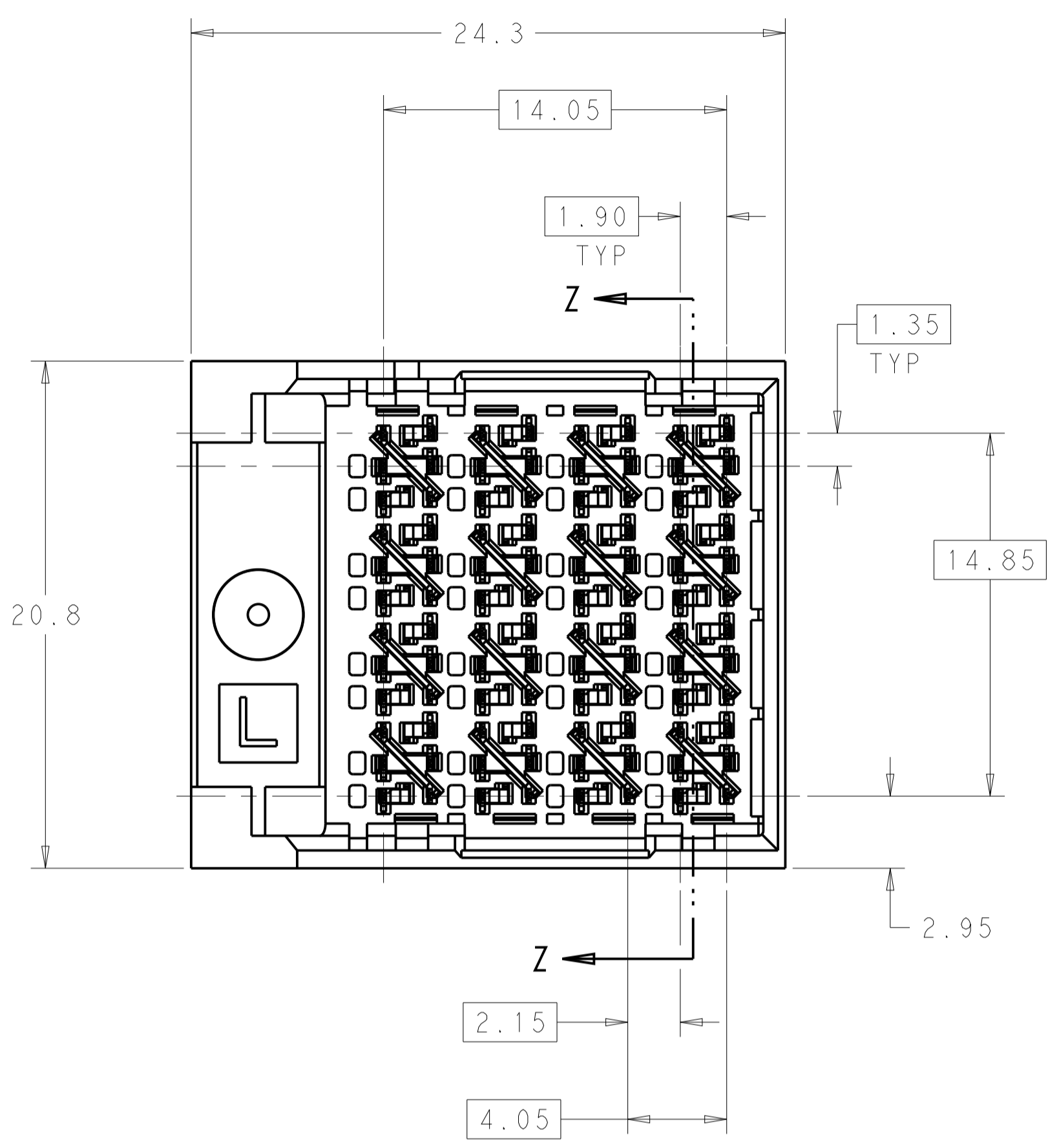


REVISIONS				
P.	LTN.	DESCRIPTION	DATE	APVD.
B		REVISED PER ECO-14-013271	06SEP2014	AP DD

△ MATERIAL:
HOUSING: LCP GLASS FILLED UL94V-0
TERMINALS: HIGH PERFORMANCE COPPER ALLOY

△ FINISH:
30µ" MIN GOLD IN CONTACT AREA
SELECTIVE TIN ON PCB TAILS.
NICKEL OVERALL.

3. CONNECTOR SUPPLIED WITH MOUNTING SCREW.



3.00 MIN BOARD THICKNESS

SECTION Z-Z

LEFT GUIDED BACKPLANE HOLE PATTERN (CONNECTOR SIDE) SCALE 4:1

△	5.5	2132618-2
△	4.9	2132618-1
FINISH	DIM M	PART NUMBER

THIS DRAWING IS A CONTROLLED DOCUMENT.		DWN: J. K. SHOBER 04JUN2010	TE Connectivity	
DIMENSIONS: mm		CHK: J. EARY 04JUN2010	NAME: IMPACT, 4 PAIR, 8 COLUMN, LEFT GUIDED RIGHT END WALL ASSEMBLY, ORTHOGONAL, 0.46 PTH	
TOLERANCES UNLESS OTHERWISE SPECIFIED:		APVD: J. EARY 04JUN2010	SIZE: A100779 C=2132618	
0 PLC	±0.25	PRODUCT SPEC	RESTRICTED TO	
2 PLC	±0.13	APPLICATION SPEC	SCALE: 5:1 SHEET 1 OF 1 REV B	
3 PLC	±0.10	WEIGHT		
4 PLC	±0.08	Customer Drawing		
ANGLES	±0			