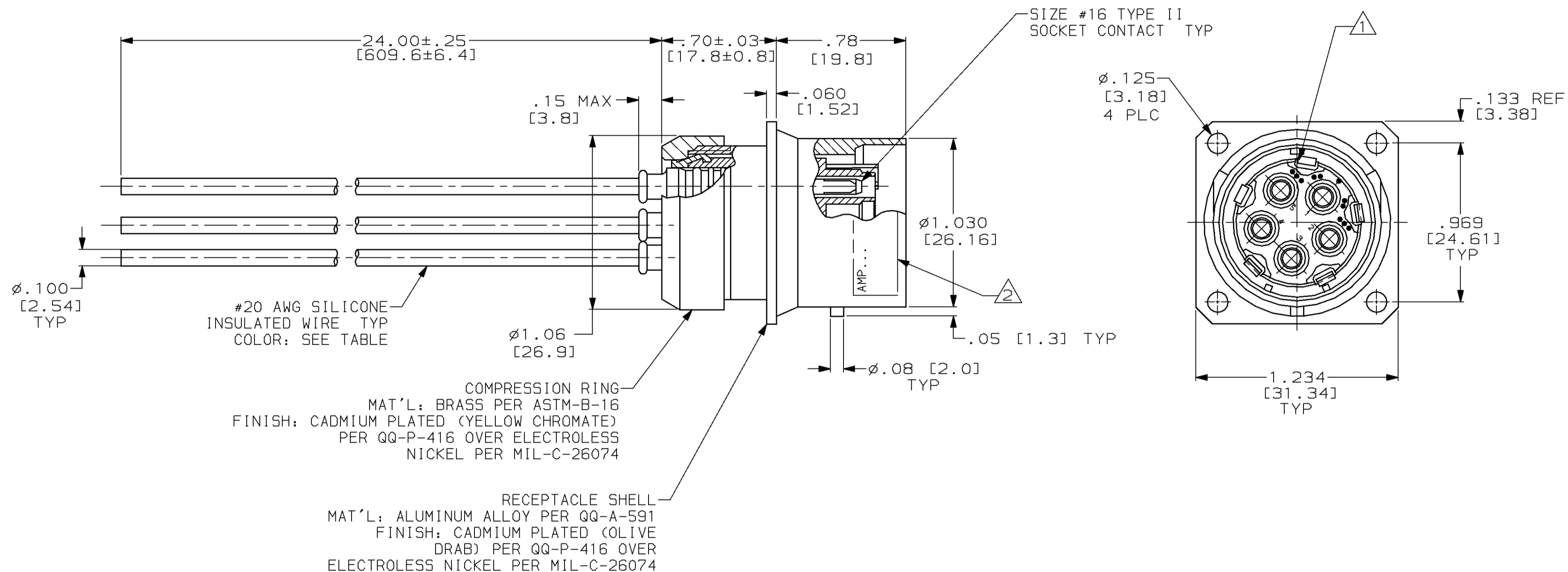


THIS DRAWING IS UNPUBLISHED. RELEASED FOR PUBLICATION
 © COPYRIGHT 19 BY AMP INCORPORATED. ALL RIGHTS RESERVED.

LOC		DIST		REVISIONS			
P	LTR	DESCRIPTION		DATE	DWN	APVD	
E		REV & REDRAWN; 0600-5878-96		11-96	CT	CS	

WIRING TABLE	
POSITION NO.	WIRE COLOR
1	BROWN
2	RED
3	ORANGE
4	YELLOW
5	GREEN



- 1 TRIPLE DOT FOR NORMAL POLARIZATION LOCATED UNDER MAJOR KEYWAY.
- 2 AMP INFO MARKED PER MIL-STD-130.
- 3. MAXIMUM MOUNTING PANEL THICKNESS: .100 [2.54].
- 4. WORKING VOLTAGE IS 4.5 KVDC MAX WHEN PROPERLY MATED.

863983-1
 PART NO.

THIS DRAWING IS A CONTROLLED DOCUMENT.		DWN C.C. THOMAS 11-18-96	AMP Incorporated Harrisburg, PA 17105-3608	
DIMENSIONS: INCHES [mm]		CHK C. SHELLY 11-19-96	NAME CABLE ASSY, 5 POSN, LGH	
TOLERANCES UNLESS OTHERWISE SPECIFIED:		APVD C. SHELLY 11-19-96	DRAWING NO A2 00779 C-863983	
0 PLC ± 1 PLC ± 2 PLC ±.02 [0.5] 3 PLC ±.010 [0.25] 4 PLC ± ANGLES ± FINISH -		PRODUCT SPEC - APPLICATION SPEC - WEIGHT -	SIZE A2	RESTRICTED TO -
MATERIAL -		CUSTOMER DRAWING	SCALE 2:1	SHEET 1 OF 1
			REV E	