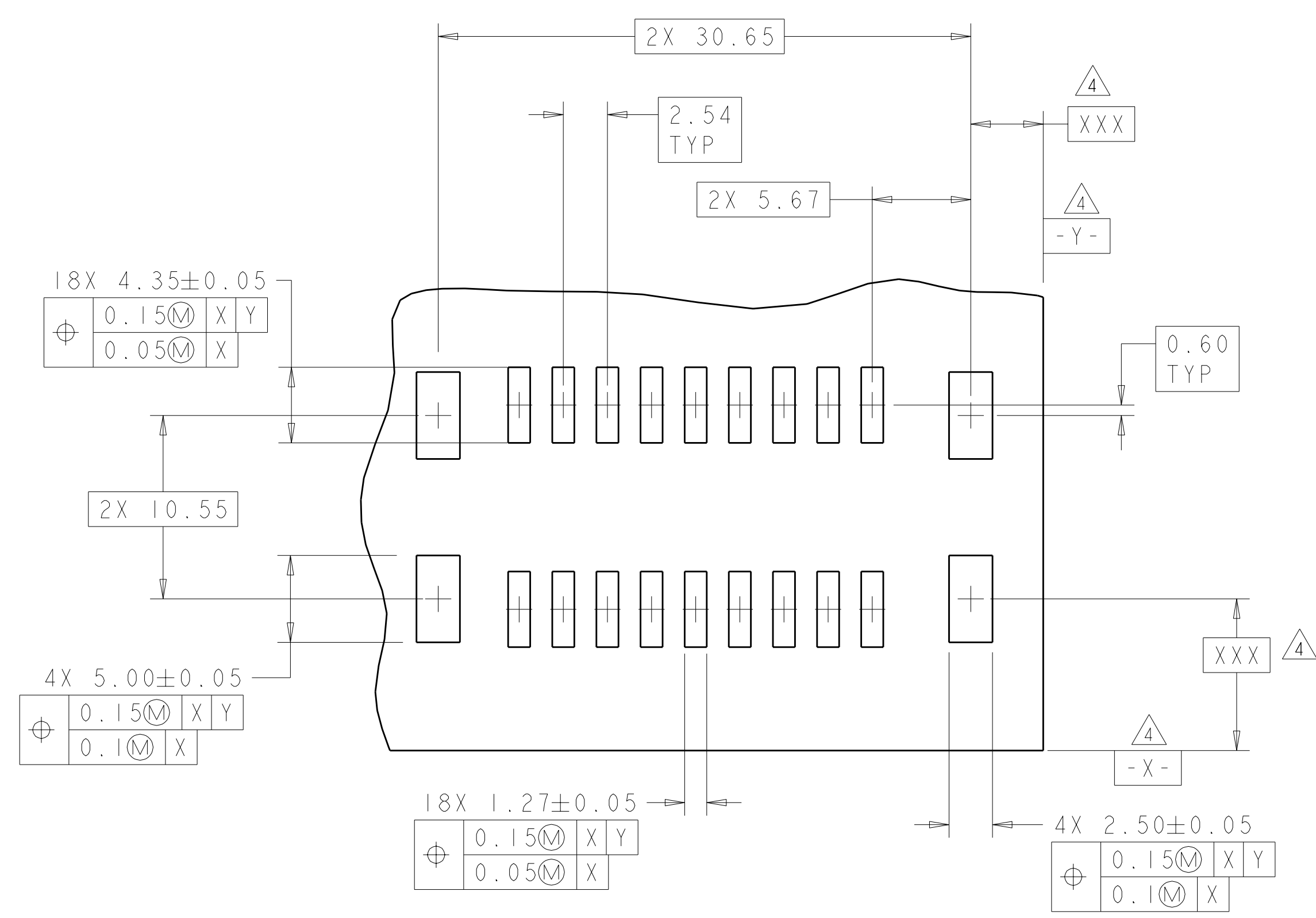
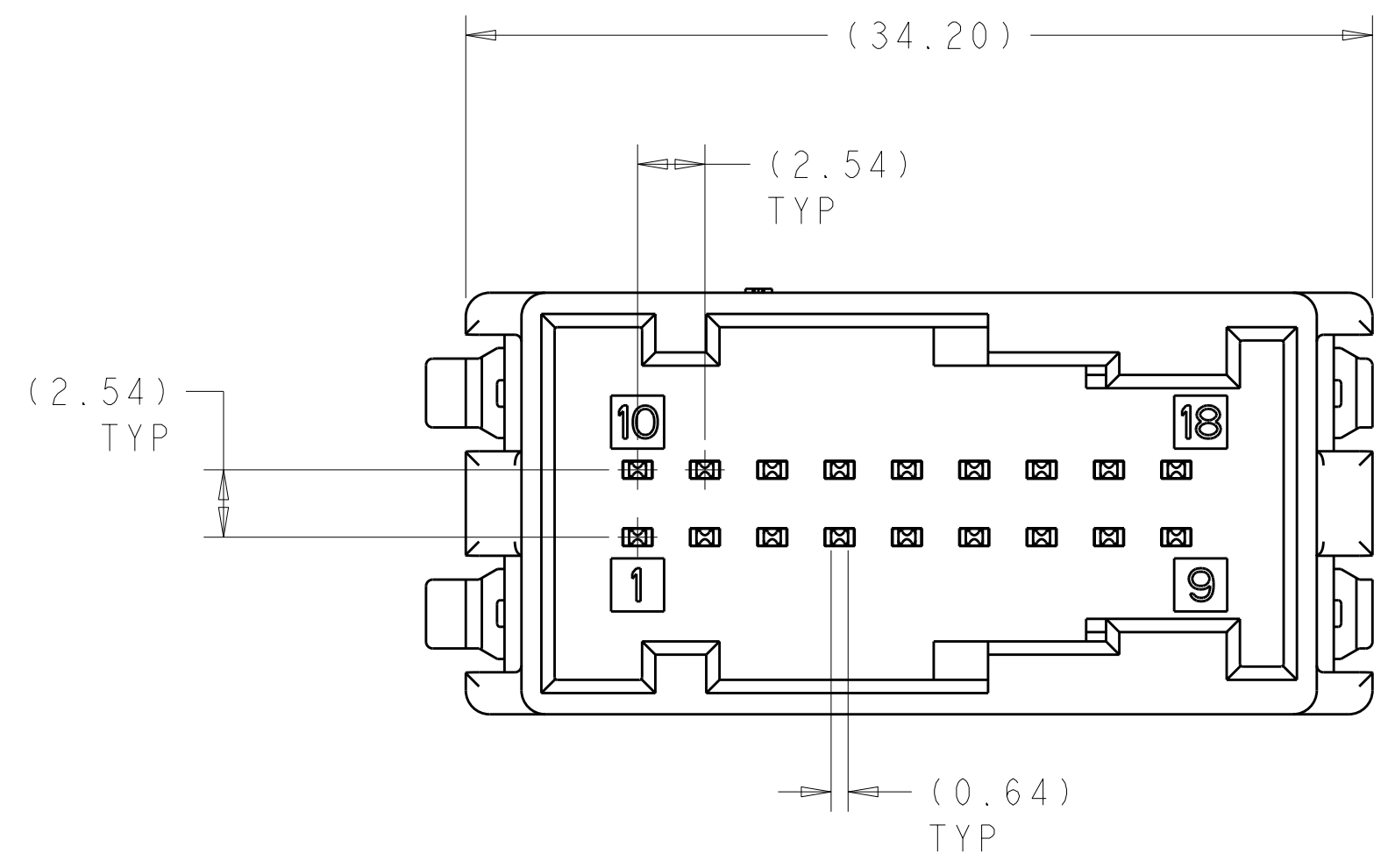


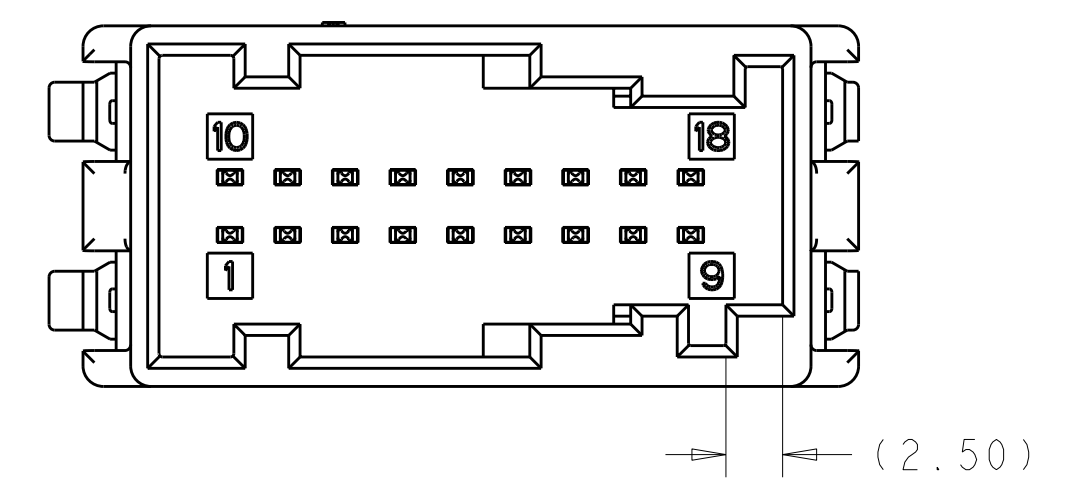
LOC	DIST	REV	DATE	BY	APPD
IN	00				

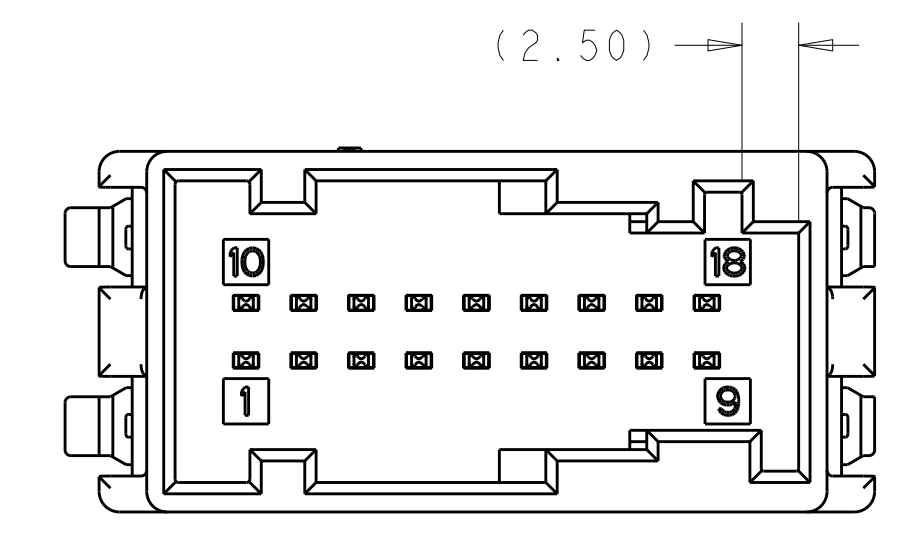
REVISIONS					
REV	DATE	BY	APPD	DESCRIPTION	DATE
A	19OCT2005	HM	DF	REV PER ECO-06-005840	
B	30JAN2007	AH	MT	REVISED PER ECR-07-001558	
C	10OCT2007	AH	MT	REVISED PER ECR-07-023989	
C1	31MAY2010	VSS	CS	REV PER ECR-10-011823	



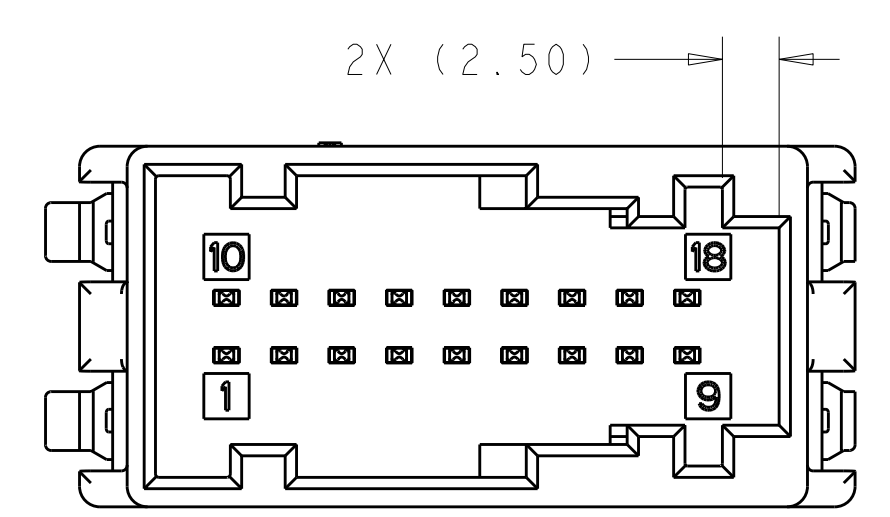
RECOMMENDED PC BOARD LAYOUT  
 CONNECTOR SIDE OF BOARD  
 SCALE 4:1



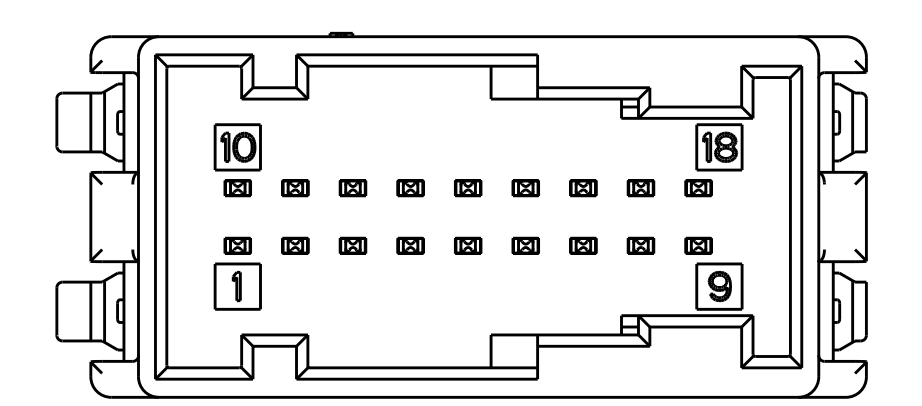
KEYING CODE "CE"  
 SCALE 3:1



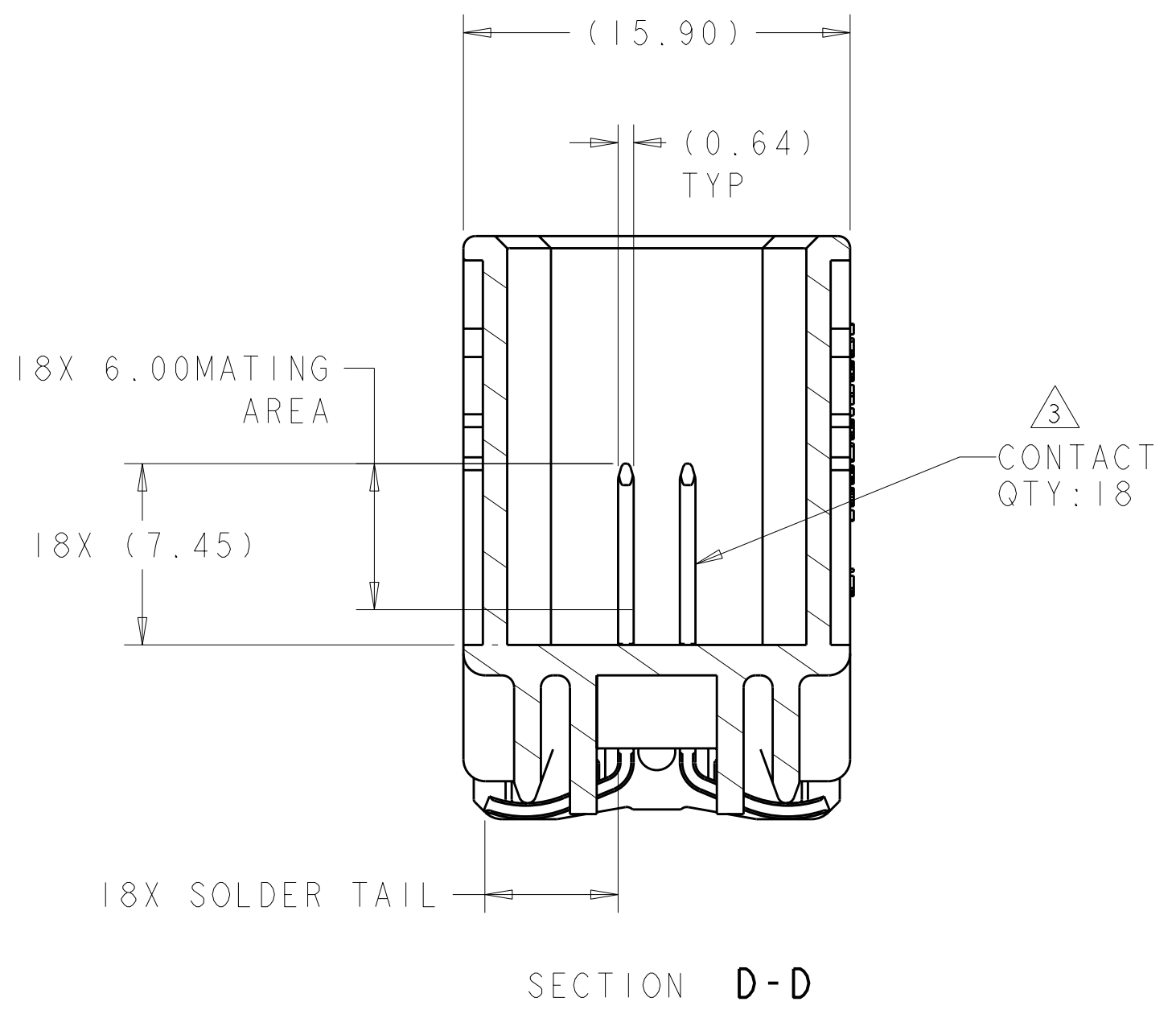
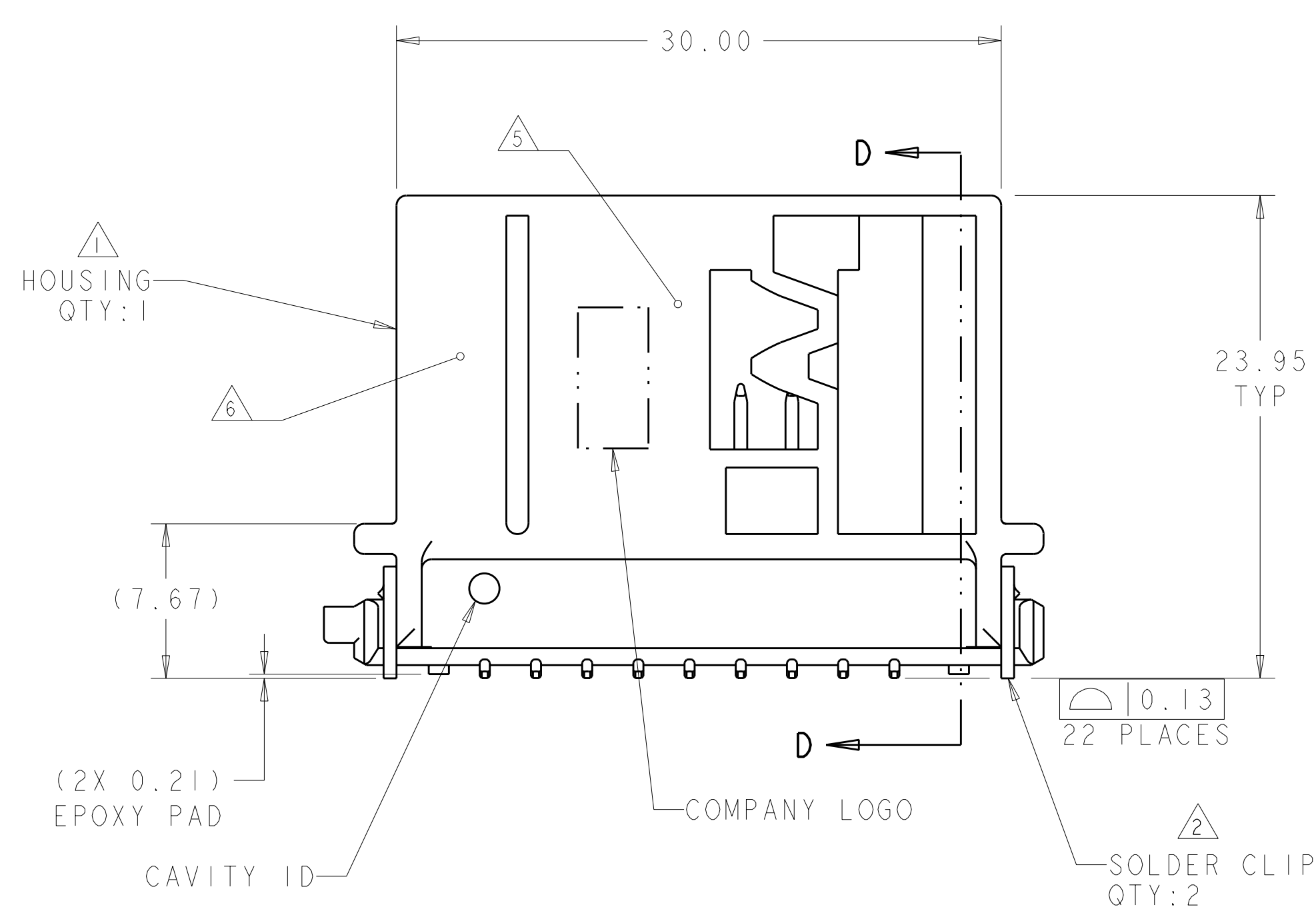
KEYING CODE "BF"  
 SCALE 3:1



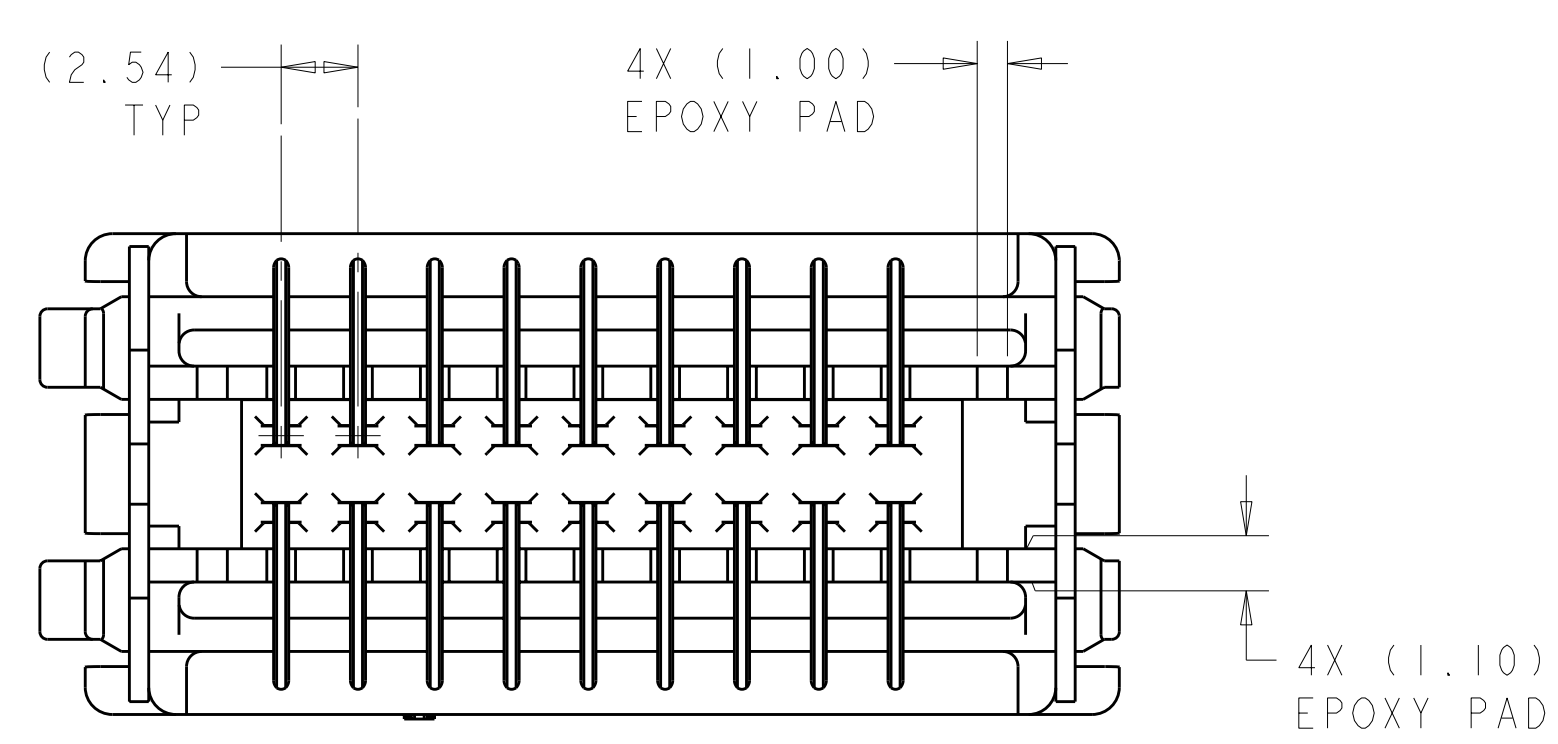
KEYING CODE "BE"  
 SCALE 3:1



KEYING CODE "CF"  
 SCALE 3:1



SECTION D-D



- ① HOUSING: PCT, COLOR - SEE TABLE  
 CONTACTS: BRASS  
 SOLDER CLIP: BRASS
- ② SOLDER CLIP: 3.8µm MIN TIN OVER 1.27µm MIN NICKEL
- ③ CONTACT: 0.8µm MIN TIN IN MATING AREA AND 2.5µm MIN TIN IS SOLDER TAIL ALL OVER 1.00µm NICKEL
- ④ DATUMS AND BASIC DIMENSIONS ESTABLISHED BY THE CUSTOMER
- ⑤ ASSEMBLY DATE CODE SIDE OR END.
- ⑥ PRODUCT PART NUMBER SIDE OR END.
- ⑦ PRELIMINARY PART NUMBER, NOT RELEASED FOR PRODUCTION.

NON RETURNABLE	KEYING CODE "BE"	NATURAL	1-1438543-2
NON RETURNABLE	KEYING CODE "CF"	BLACK	1-1438543-1
RETURNABLE	KEYING CODE "CE"	GREEN	1438543-4
RETURNABLE	KEYING CODE "BF"	PURPLE	1438543-3
RETURNABLE	KEYING CODE "BE"	NATURAL	1438543-2
RETURNABLE	KEYING CODE "CF"	BLACK	1438543-1
PACKAGE TUBE	KEYING CODE	COLOR	PART NUMBER

DIMENSIONS: mm TOLERANCES UNLESS OTHERWISE SPECIFIED: 9 PLC ± 1 PLC ±0.25 5 PLC ± 4 PLC ± ANGLES ± MATERIAL: SEE CALLOUTS FINISH:	DWN: H. MOLL 04DEC2003 CHK: D. FRY 17MAY2004 APVD: D. FRY 26APR2004 PRODUCT SPEC: APPLICATION SPEC: WEIGHT: CUSTOMER DRAWING	Tyco Electronics Harrisburg, PA 17105-3608 NAME: HEADER ASSY, 18 WAY, VERTICAL, WITH SOLDER CLIPS, SURFACE MOUNT, LAC SIZE: 00779 CAGE CODE: 1438543 SHEET 1 OF 1 REV: C1
---	--	---