

| LOC | DIST | REV | DATE | BY | APPD |
|-----|------|-----|-----------|----|------|
| GP | 00 | H | 08JUL2009 | RG | DO |

1. PART NUMBER CHANGES AND OR DESIGN CHANGES EFFECTING ITEM INTERCHANGEABILITY REQUIRE PRIOR TYCO ELECTRONICS APPROVAL AND AUTHORIZATION BY REVISION TO THE DRAWING.

△ MATERIAL:
 INSULATOR - NYLON 6/6, F/R, 30% GLASS FILLED, COLOR: BLACK
 CONTACTS - No. 20 PIN CONTACTS, BRASS ALLOY
 CROWN BAND - BERYLIUM COPPER
 OVERMOLD - PVC BLACK FOR [A] AND YELLOW (PMS 102) FOR [B] INSULATORS
 WIRE - No.24 AWG, 105°, 300 V, UL APPROVED
 CABLE JACKET - PU, COLOR: BLACK, DUROMETER: 85

△ FINISH:
 No. 20 CONTACTS - GOLD PLATED 0.75µm MIN THK. OVER NICKEL 1.27µm MIN THK.

4. OVERMOLD:
 CABLE AND INSULATOR SUB-ASSEMBLY OVERMOLDED WITH STRAIN RELIEF AND PERMANENTLY LOCATED WITH NO AIR GAP AND MOVEMENT.

5. COILED CABLE DESIGN
 12 CONDUCTOR "ZIP" COILED CORD
 COILED ZIP CORD CONSIST OF TWO SEPERATE CONDUCTOR BUNDLE
 EACH BUNDLE CONSIST OF SIX CONDUCTORS
 EACH BUNDLE CONTAIN A FOIL SHIELD/MYLAR SHEATH
 100 V INSULATOR BETWEEN BARRIER AND CONDUCTOR
 INDIVIDUAL CONDUCTOR No.24 AWG

6. COILED CABLE REQUIREMENTS:
 300 VAC MIN INSULATION FOR INDIVIDUAL CONDUCTOR INSULATION
 90° C TEMPERATURE RATING
 UL 94 V I FLAME RESISTANCE RATING

7. TESTING AND QUALITY ASSURANCE :
 A. COMPLETED ASSEMBLY MUST BE CHECKED FOR WORKMANSHIP AND CONFORMANCE TO DRAWING SPECIFICATION AND APPLICABLE TEST
 B. CONTINUITY
 C. CONNECTOR TO BE " FINGER SAFE" AS PER CSA C22.2 No. 60950 OR EN 60950

8. PACKAGING:
 ASSEMBLIES PER THIS DRAWING SHALL BE PACKED AND PACKAGED TO RESIST DAMAGE DURING SHIPMENT.

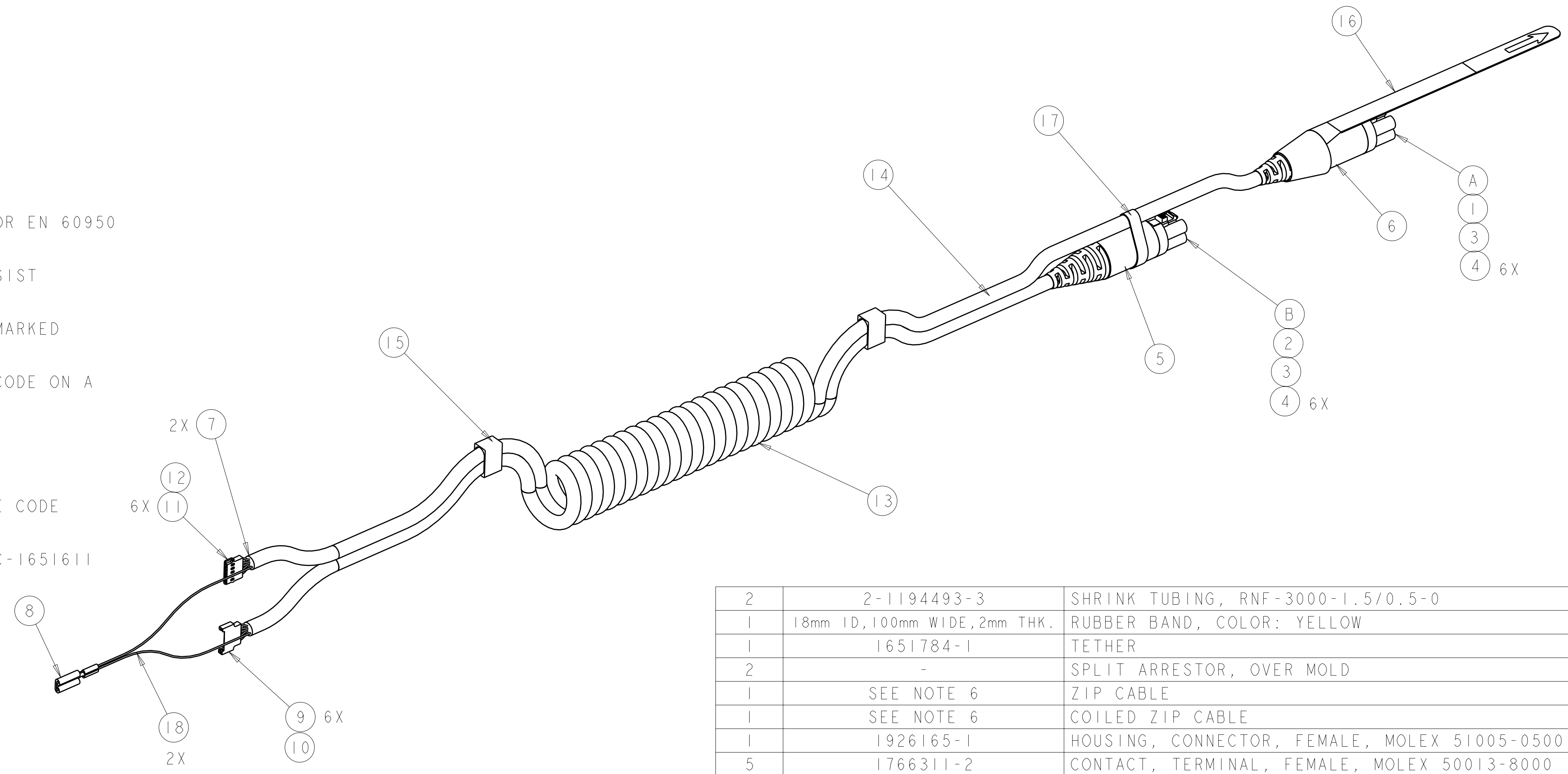
9. COMPLETED ASSEMBLY ARE PACKAGED AND LABELED ON THE PACKAGE/BAG MARKED AS FOLLOWS:

PRINT SEGWAY PART NUMBER, CURRENT SEGWAY REVISION AND DATE CODE ON A COMPUTER PRINTABLE LABEL AS SHOWN.

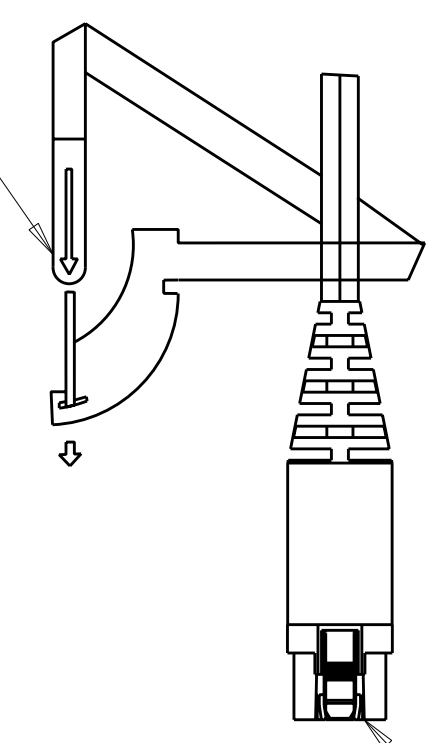
SEGWAY PN: 1716300001
 SEGWAY REVISION: AE

PRINT TYCO ELECTRONICS PART NUMBER, CURRENT REVISION AND DATE CODE ON A SEPARATE COMPUTER PRINTABLE LABEL.

10. REFERENCE TYCO ELECTRONICS PART NUMBER 1651610-2, SEE DRAWING C-1651611 FOR MATING SOCKET CONTACT CABLE ASSY.



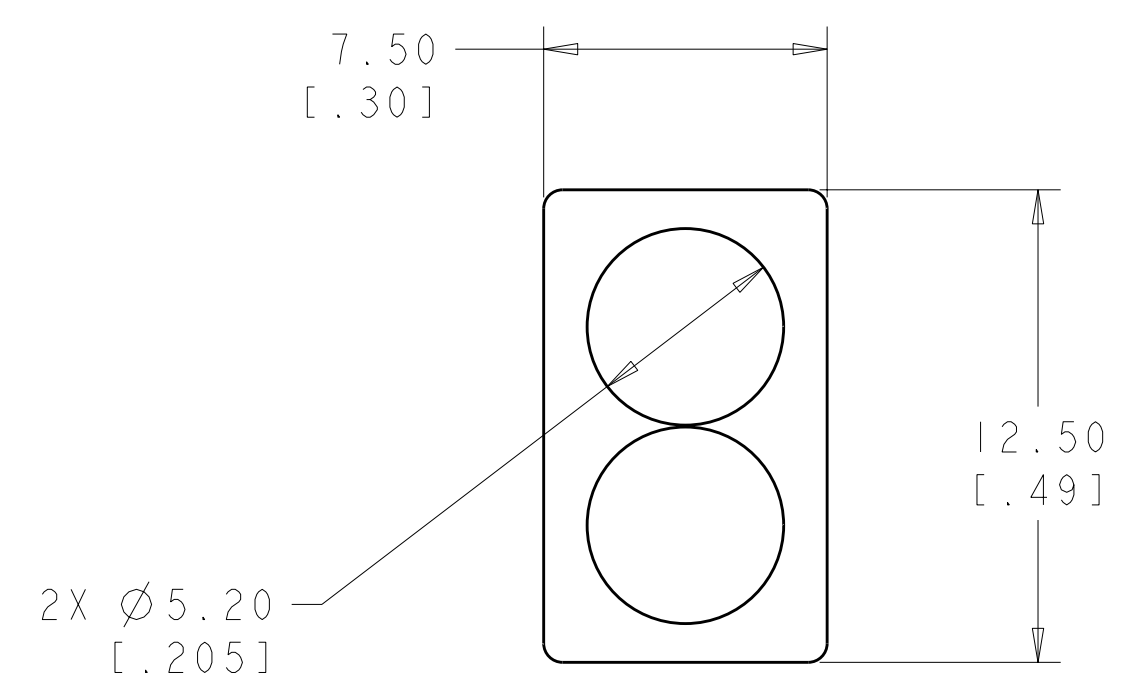
INSERT END OF SLOT AS SHOWN AND TETHER FITS TIGHTLY AROUND "A" SIDE CONNECTOR AS SHOWN IN MAIN VIEW



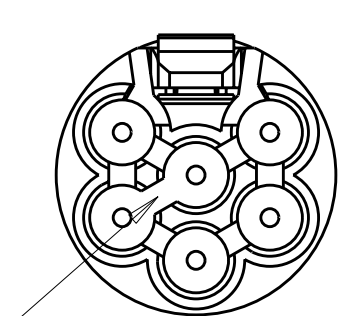
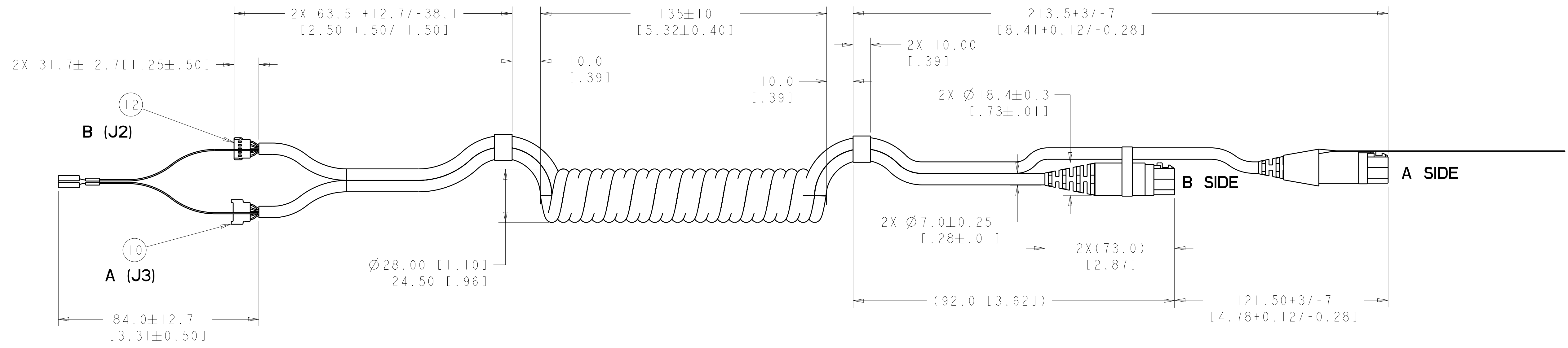
| QTY | PART NO. | DESCRIPTION | ITEM | |
|------------|-----------------------------|--|-------------------------------------|------|
| 2 | 2-1194493-3 | SHRINK TUBING, RNF-3000-1.5/0.5-0 | 18 | |
| 1 | 18mm ID,100mm WIDE,2mm THK. | RUBBER BAND, COLOR: YELLOW | 17 | |
| 1 | 1651784-1 | TETHER | 16 | |
| 2 | - | SPLIT ARRESTOR, OVER MOLD | 15 | |
| 1 | SEE NOTE 6 | ZIP CABLE | 14 | |
| 1 | SEE NOTE 6 | COILED ZIP CABLE | 13 | |
| 1 | 1926165-1 | HOUSING, CONNECTOR, FEMALE, MOLEX 51005-0500 | 12 | |
| 5 | 1766311-2 | CONTACT, TERMINAL, FEMALE, MOLEX 50013-8000 | 11 | |
| 1 | 1926165-2 | HOUSING, CONNECTOR, MALE, MOLEX 51006-0500 | 10 | |
| 5 | 1766311-1 | CONTACT, TERMINAL, MALE, MOLEX 50012-800 | 9 | |
| 1 | 1766310-1 | QUICK DISCONNECT, MOLEX 19019-0006 | 8 | |
| 2 | 603313-4 | SHRINK TUBING, POLYOLEFIN, 6.35mm ID | 7 | |
| 1 | COLOR=BLACK, PVC | STRAIN RELIEF, OVERMOLD, COLOR: BLACK | 6 | |
| 1 | COLOR=YELLOW, PMS 102, PVC | STRAIN RELIEF, OVERMOLD, COLOR: YELLOW | 5 | |
| 12 | 1650161-5 | CONTACT, PIN, No.20, CRIMP | 4 | |
| 2 | 1651391-1 | HOUSING, REAR INSERT | 3 | |
| B | 1 | 1651388-1 | HOUSING, PIN, FRONT, RIGHT KEY SLOT | 2 |
| A | 1 | 1651387-1 | HOUSING, PIN, FRONT, LEFT KEY SLOT | 1 |
| DESIGNATOR | QTY | PART NO. | DESCRIPTION | ITEM |
| | -1 | | | |

| | | | | | |
|--|--|---|--|--|--|
| DIMENSIONS: mm TOLERANCES UNLESS OTHERWISE SPECIFIED: 9 PLC ±.5 1 PLC ±0.5 5 PLC ±.25 4 PLC ±.1 ANGLES ±.2 FINISH | | DWN: 08JUL2009 CHN: HAN/GRZYBOWSKI D. ORRIS APPD: 08JUL2009 CHAU/PERCHERAE | | Tyco Electronics Harrisburg, PA 17105-3608 | |
| MATERIAL: - FINISH: - | | NAME: CABLE ASSEMBLY, COILED CORD PRODUCT SPEC: PIN CONTACT, 6X No.20, DATA CONNECTOR APPLICATION SPEC: PN: 902-0131-00100E | | SIZE: A100779 CAGE CODE: C=1651610 DRAWING NO: - RESTRICTED TO: - | |
| CUSTOMER DRAWING | | SCALE: 3:4 | | SHEET: 1 OF 5 REV: H | |

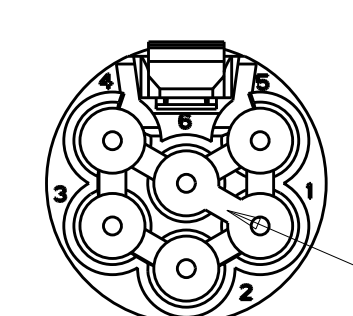
| LOC | DIST | REV | DATE | BY | APPD |
|-----------|------|-----|-------------|------|------|
| GP | 00 | 1 | | | |
| REVISIONS | | | DESCRIPTION | DATE | DWN |
| | | | SEE SHEET 1 | | |



DETAIL ITEM 6
SCALE 5:1



RIGHT KEY FEATURE
B CONNECTOR



LEFT KEY FEATURE
A CONNECTOR

A SIDE

| MOLEX CONNECTOR (J3) PIN NUMBER | WIRE COLOR | TYCO ELECTRONICS CONNECTOR (A) PIN NUMBER | SIGNAL NAME |
|---------------------------------|-------------|---|-------------|
| 1 | PINK | 6 | PGNDA |
| TO ITEM 8 | SEE ITEM 18 | 2 | SHIELD |
| 2 | BLACK | 3 | WAKEA |
| 3 | RED | 4 | CANLA |
| 4 | GREEN | 5 | CANHA |
| 5 | PURPLE | 1 | PWR INA |

B SIDE

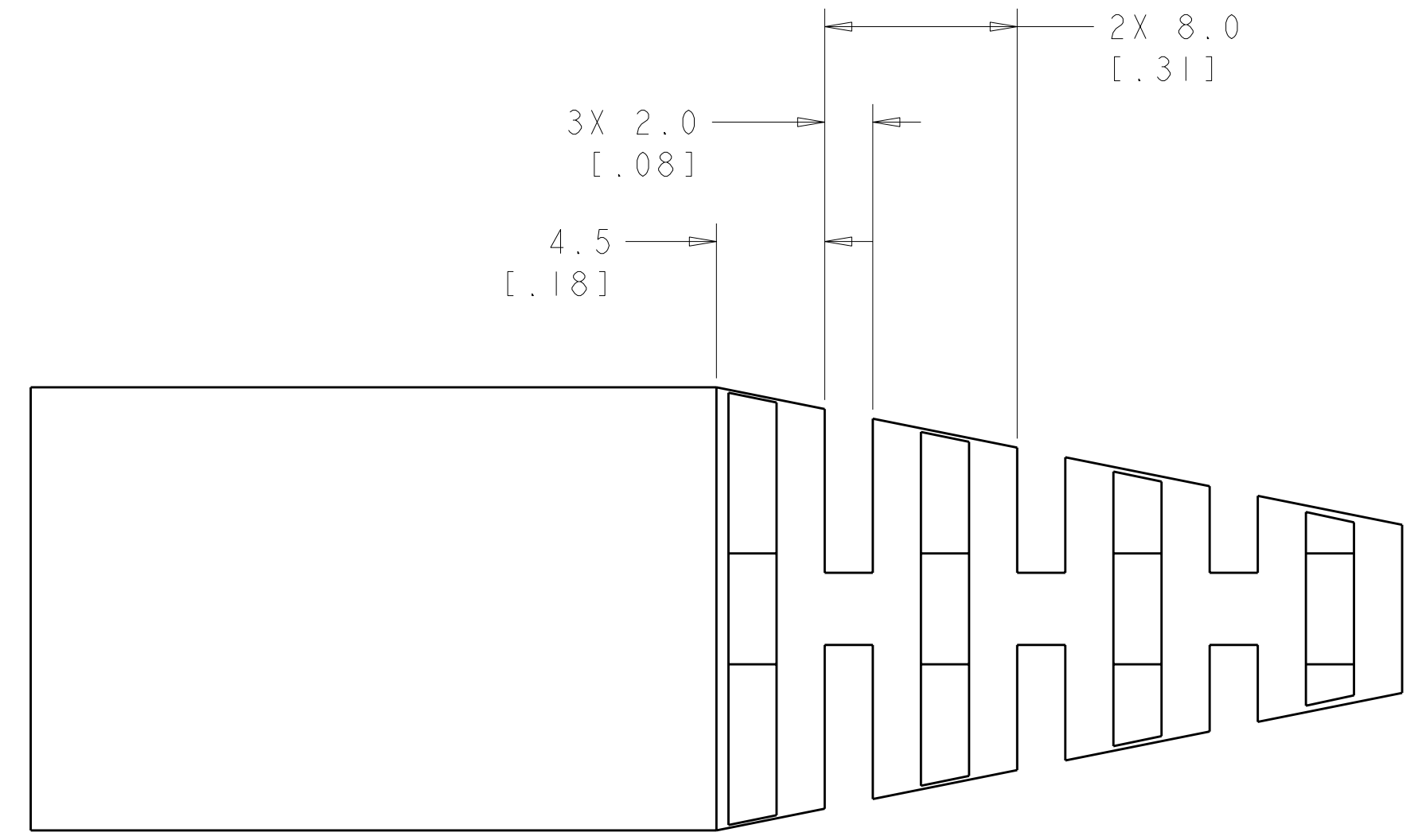
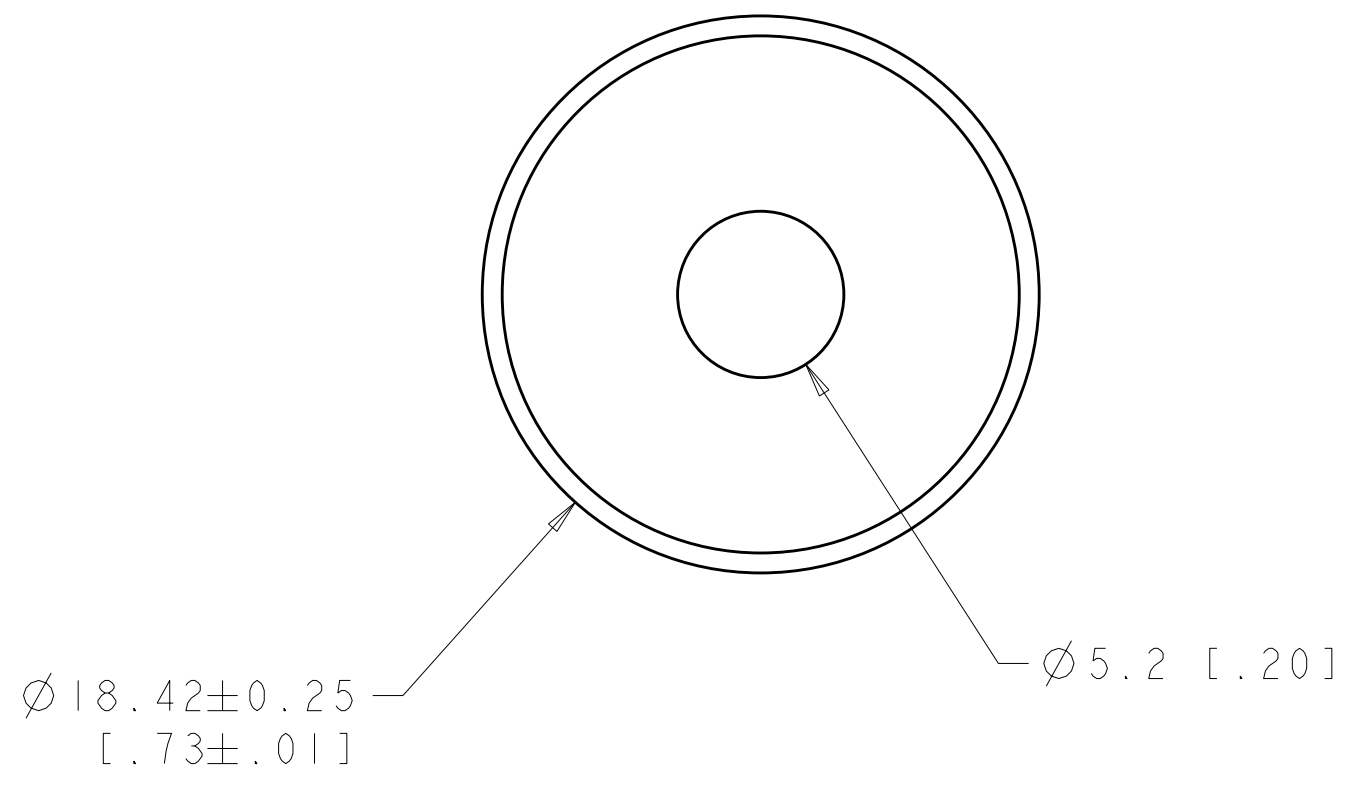
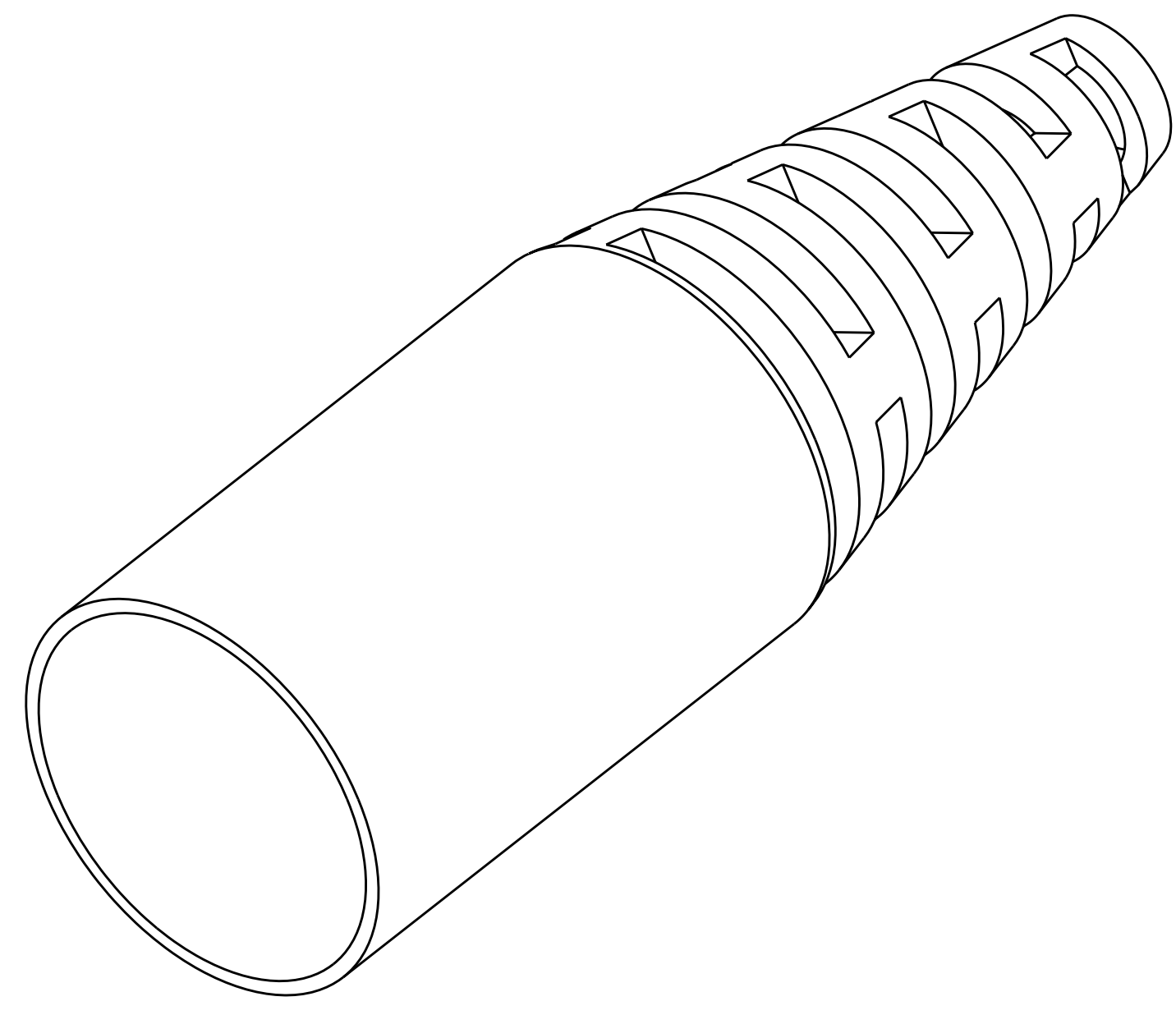
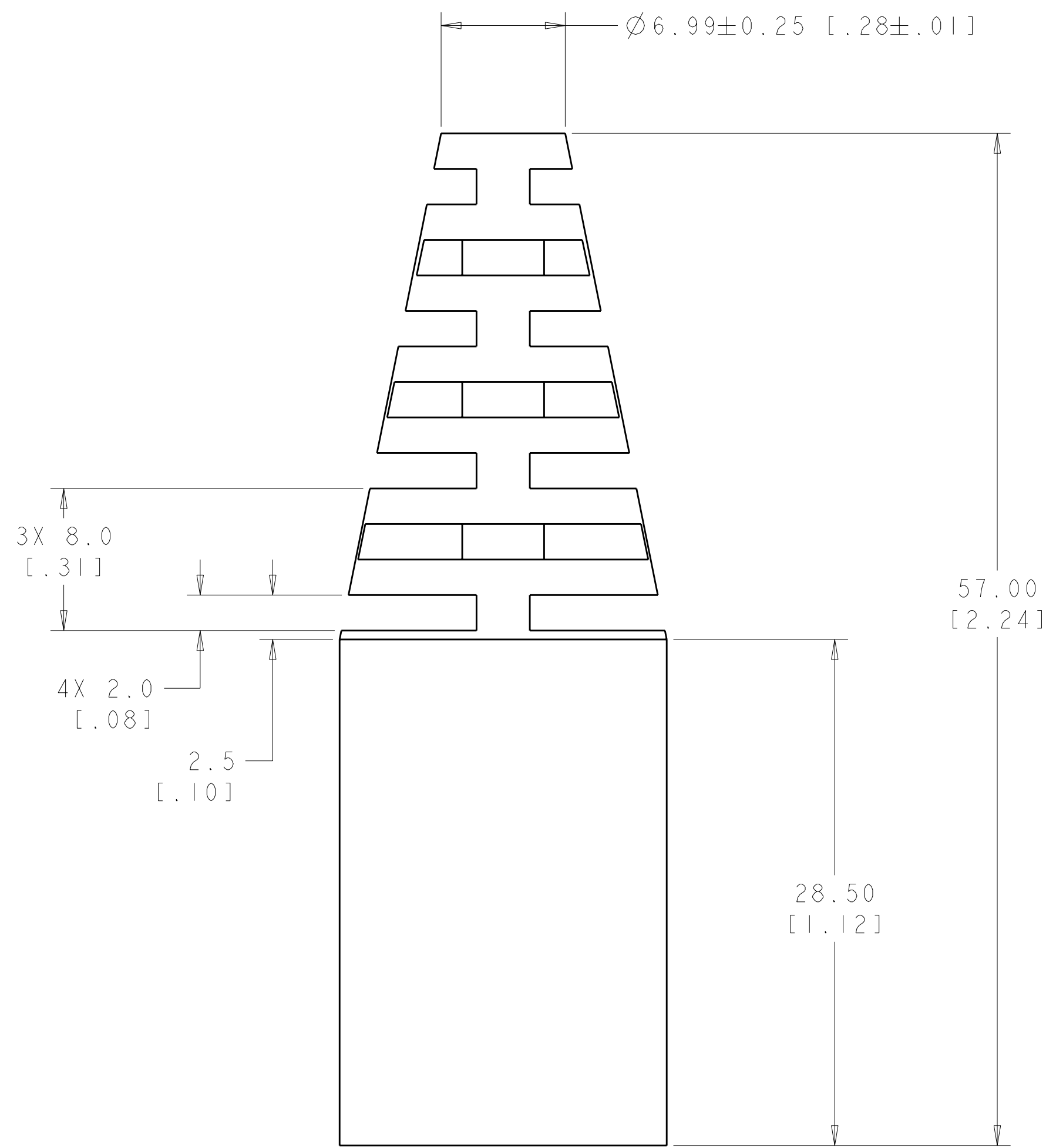
| MOLEX CONNECTOR (J2) PIN NUMBER | WIRE COLOR | TYCO ELECTRONICS CONNECTOR (B) PIN NUMBER | SIGNAL NAME |
|---------------------------------|-------------|---|-------------|
| 5 | BROWN | 2 | PGNDB |
| TO ITEM 8 | SEE ITEM 18 | 6 | SHIELD |
| 4 | GRAY | 3 | WAKEB |
| 3 | YELLOW | 4 | CANLB |
| 2 | BLUE | 5 | CANHB |
| 1 | ORANGE | 1 | PWR INB |

CONNECTOR B
FROM VIEW A-A
SCALE 2:1

CONNECTOR A
FROM VIEW A-A
SCALE 2:1

| | | | | | | | |
|--------------------------|--|---|--|---|--|--|--|
| DIMENSIONS: mm | | TOLERANCES UNLESS OTHERWISE SPECIFIED: 0 PLC ± 1 PLC ±0.5 2 PLC ±0.25 3 PLC ± 4 PLC ± ANGLES ± FINISH #2 | | DWN 08 JUL 2009 CHN/GRZYBOWSKI CHK D ORRIS APPVD 08 JUL 2009 CHAU/PERCHERAE | | Tyco Electronics Harrisburg, PA 17105-3608 | |
| MATERIAL: - FINISH: - | | WEIGHT: - CUSTOMER DRAWING | | NAME: CABLE ASSEMBLY, COILED CORD PIN CONTACT, 6X No.20, DATA CONNECTOR PN: 902-0131-00100E | | SIZE: A100779 CAGE CODE: C=1651610 SCALE: 3:4 SHEET 2 OF 5 REV H | |

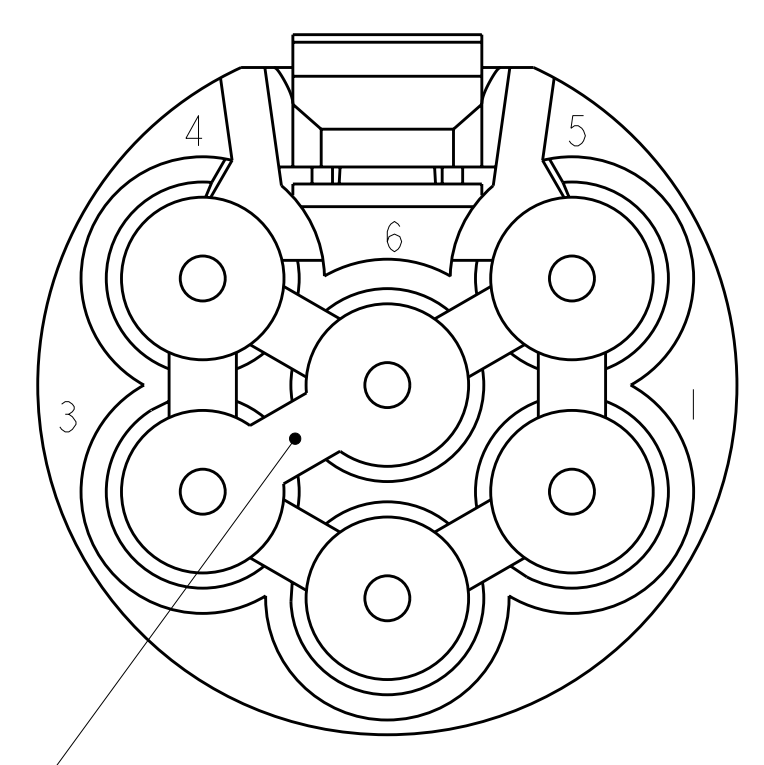
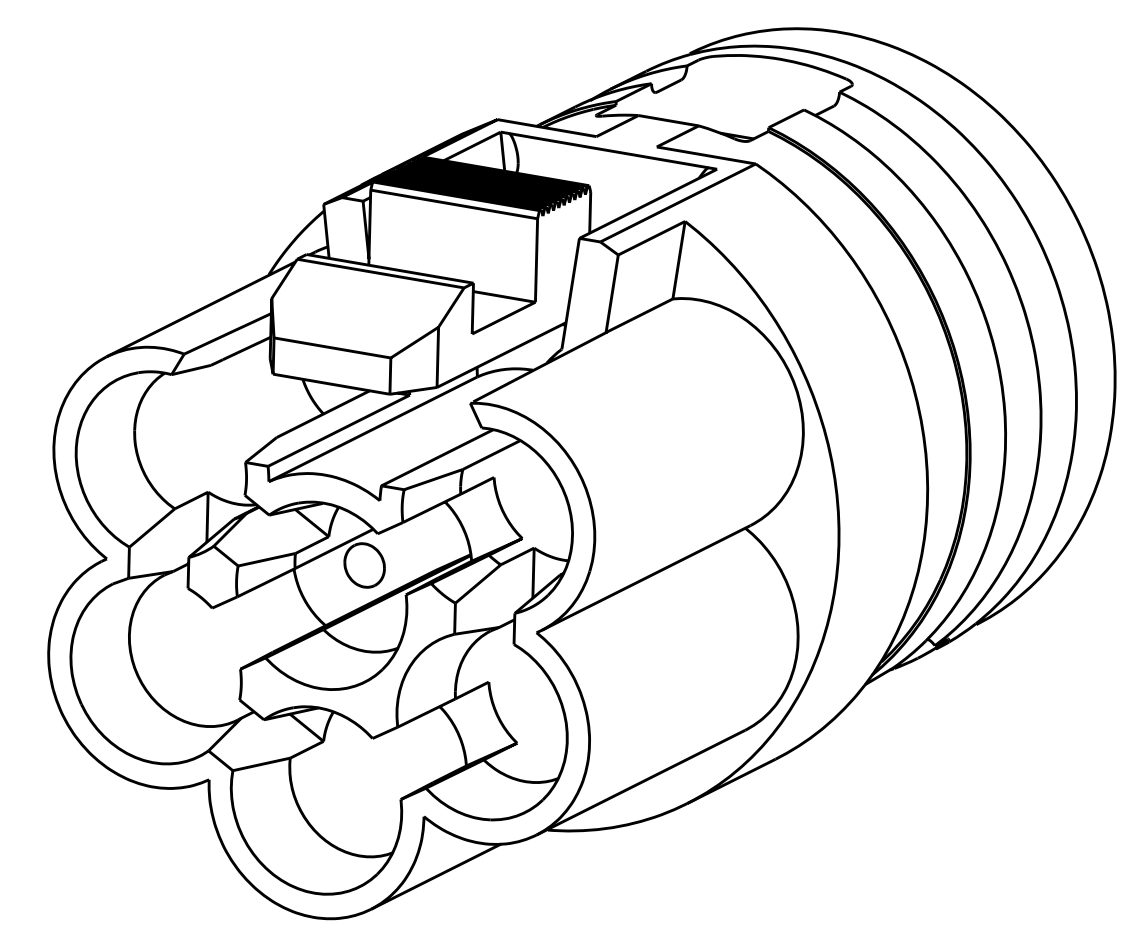
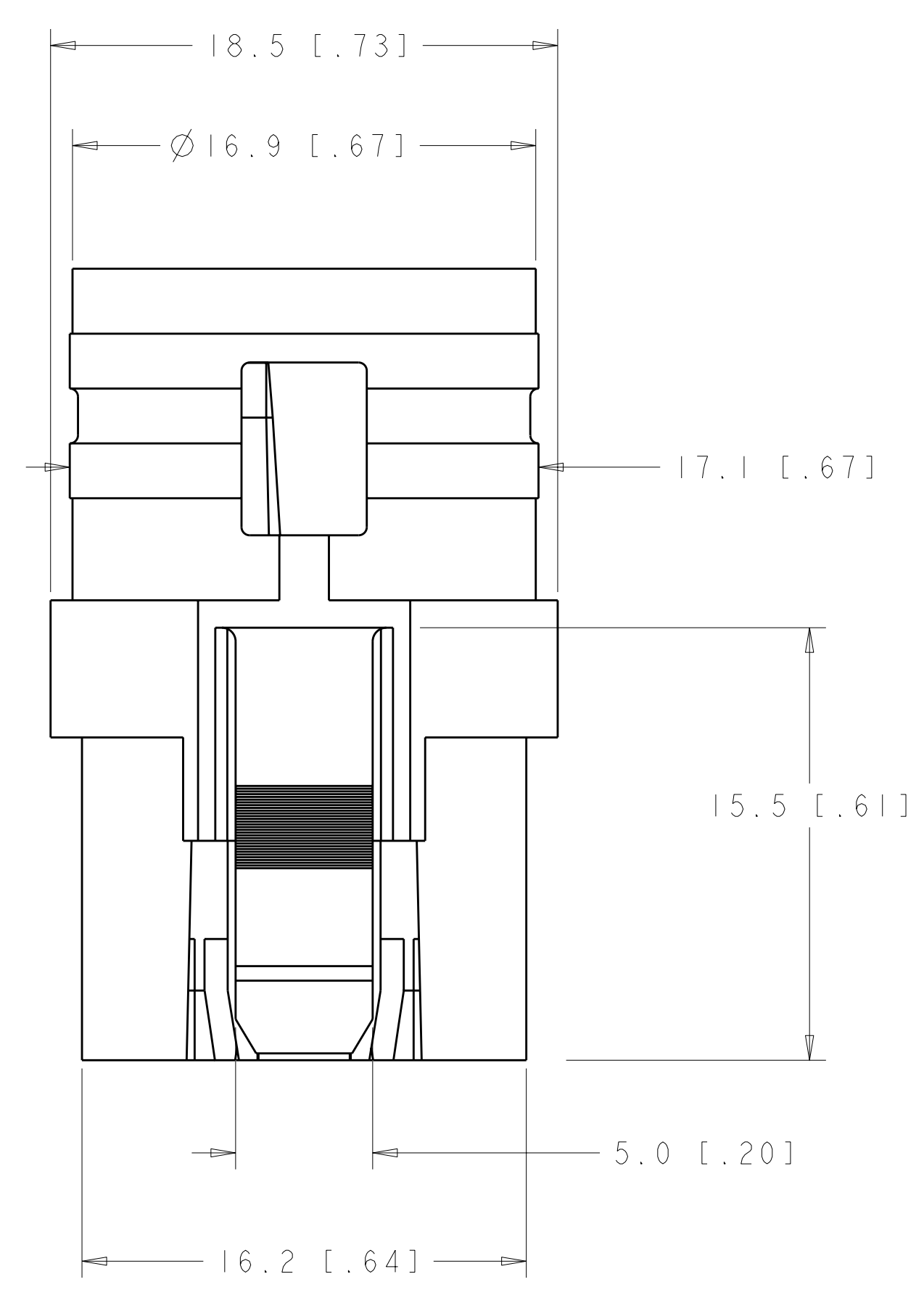
| LOC | DIST | REVISIONS | | | |
|-----|------|-------------|------|-----|------|
| P | LTB | DESCRIPTION | DATE | DWN | APVD |
| GP | 00 | SEE SHEET 1 | - | - | - |
| | | | | | |
| | | | | | |



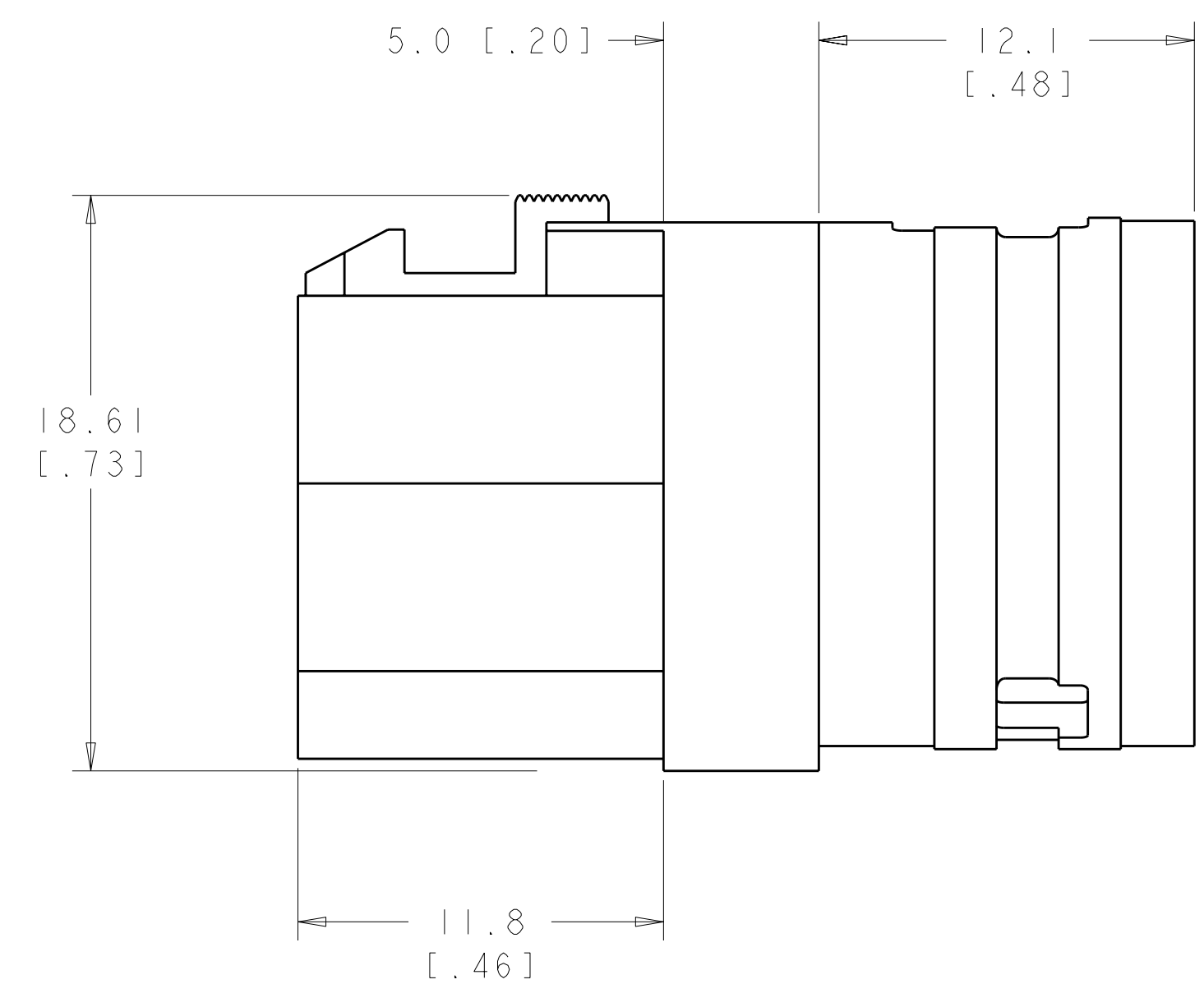
STRAIN RELIEF IS PART OF THE CABLE ASSEMBLY
 SHOWN FOR REFERENCE INFORMATION ONLY

| | | | |
|--|---|--|---|
| <small>THIS DRAWING IS UNPUBLISHED. RELEASED FOR PUBLICATION BY TYCO ELECTRONICS CORPORATION. ALL RIGHTS RESERVED. THIS DRAWING IS UNPUBLISHED. RELEASED FOR PUBLICATION BY TYCO ELECTRONICS CORPORATION. ALL RIGHTS RESERVED.</small> | | DWN: 08 JUL 2009 CHK: HAN/GRZYBOWSKI APVD: D ORRIS PRODUCT SPEC: CHAU/PERCHERAE APPLICATION SPEC: - WEIGHT: - CUSTOMER DRAWING | Tyco Electronics Harrisburg, PA 17105-3608 |
| DIMENSIONS: mm TOLERANCES UNLESS OTHERWISE SPECIFIED: 0 PLC ± 1 PLC ±0.5 2 PLC ±0.25 3 PLC ± 4 PLC ± ANGLES ±#2 FINISH: - | NAME: CABLE ASSEMBLY, COILED CORD PIN CONTACT, 6X No.20, DATA CONNECTOR PN: 902-0131-00100E SIZE: A 00779 C=1651610 SCALE: 3:4 SHEET: 3 OF 5 REV: H | RESTRICTED TO: - | Tyco Electronics logo |

| LOC | DIST | REVISIONS | | | |
|-----|------|-------------|------|-----|------|
| P | LTB | DESCRIPTION | DATE | DWN | APVD |
| GP | 00 | SEE SHEET 1 | - | - | - |
| | | | | | |
| | | | | | |



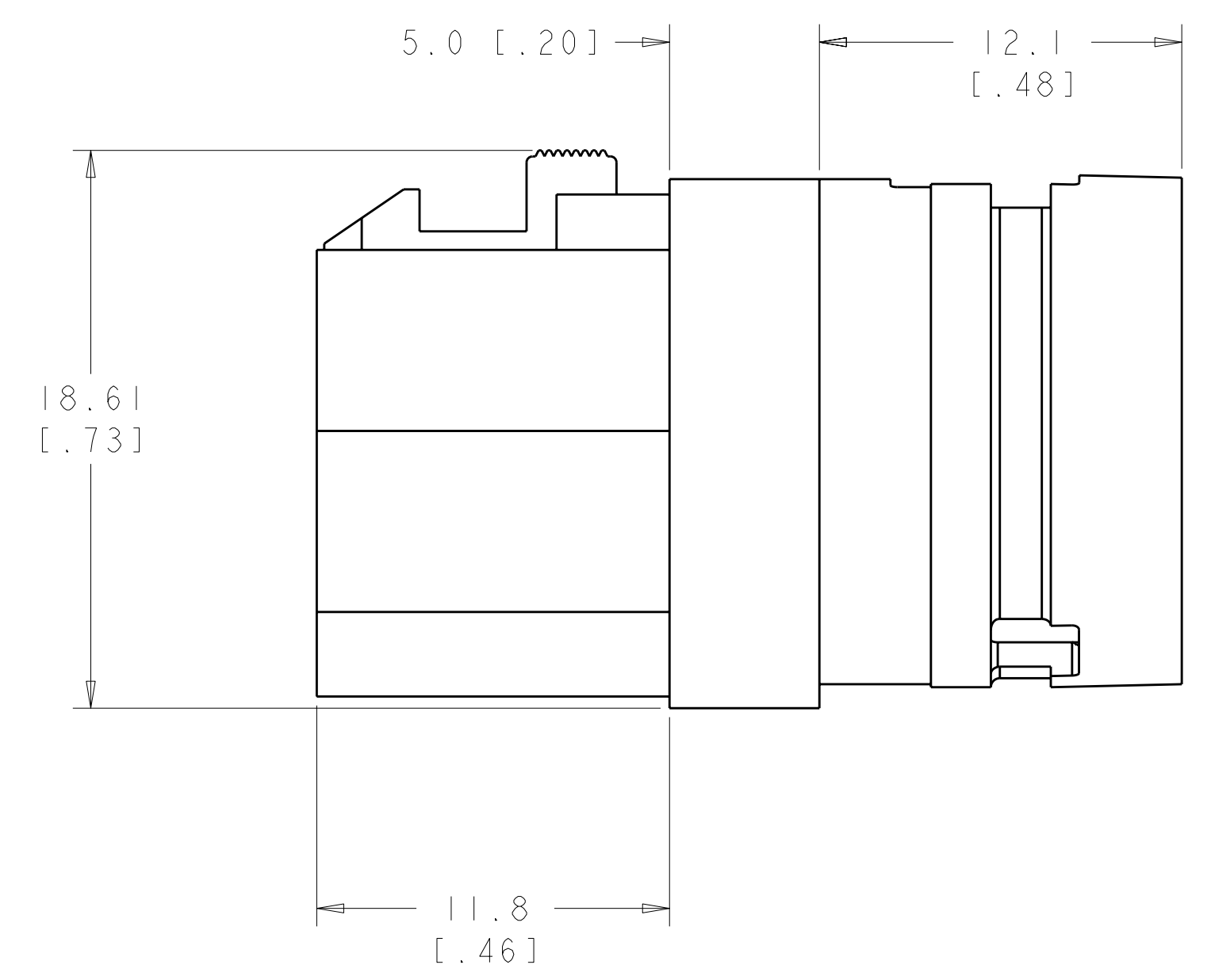
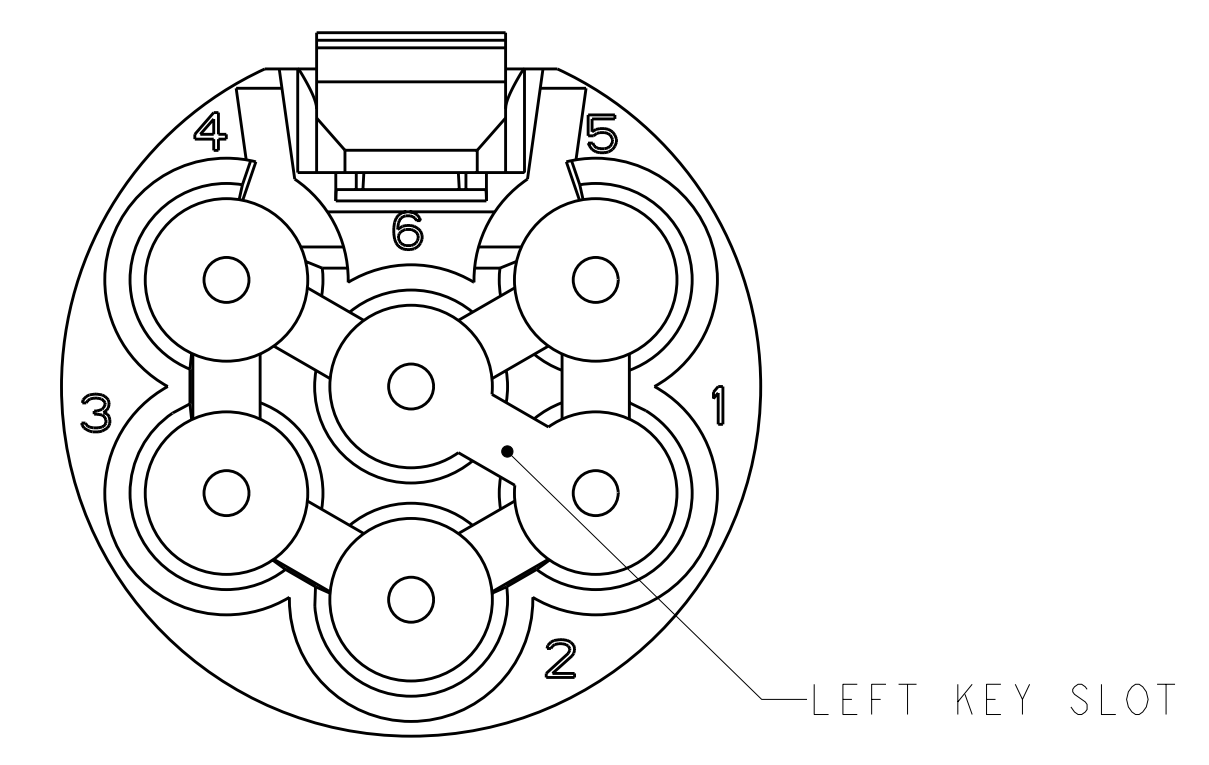
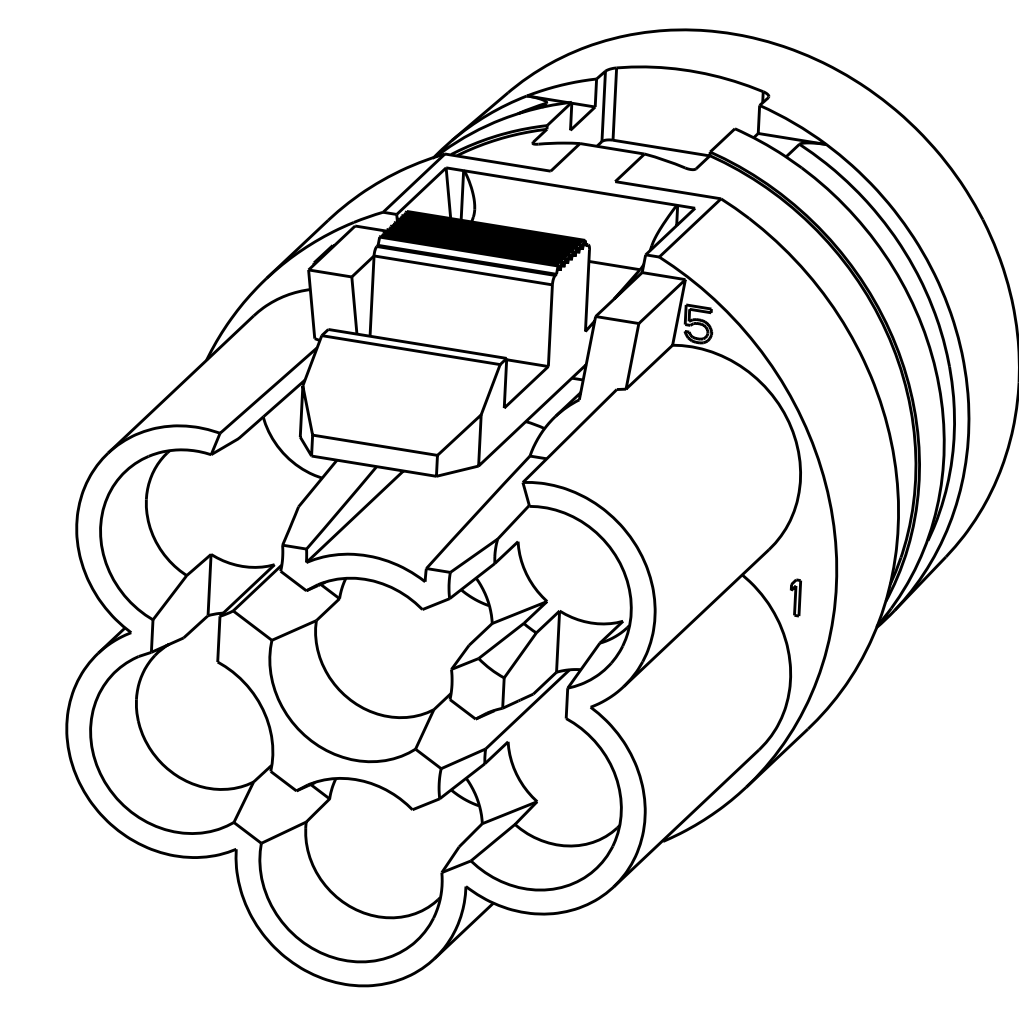
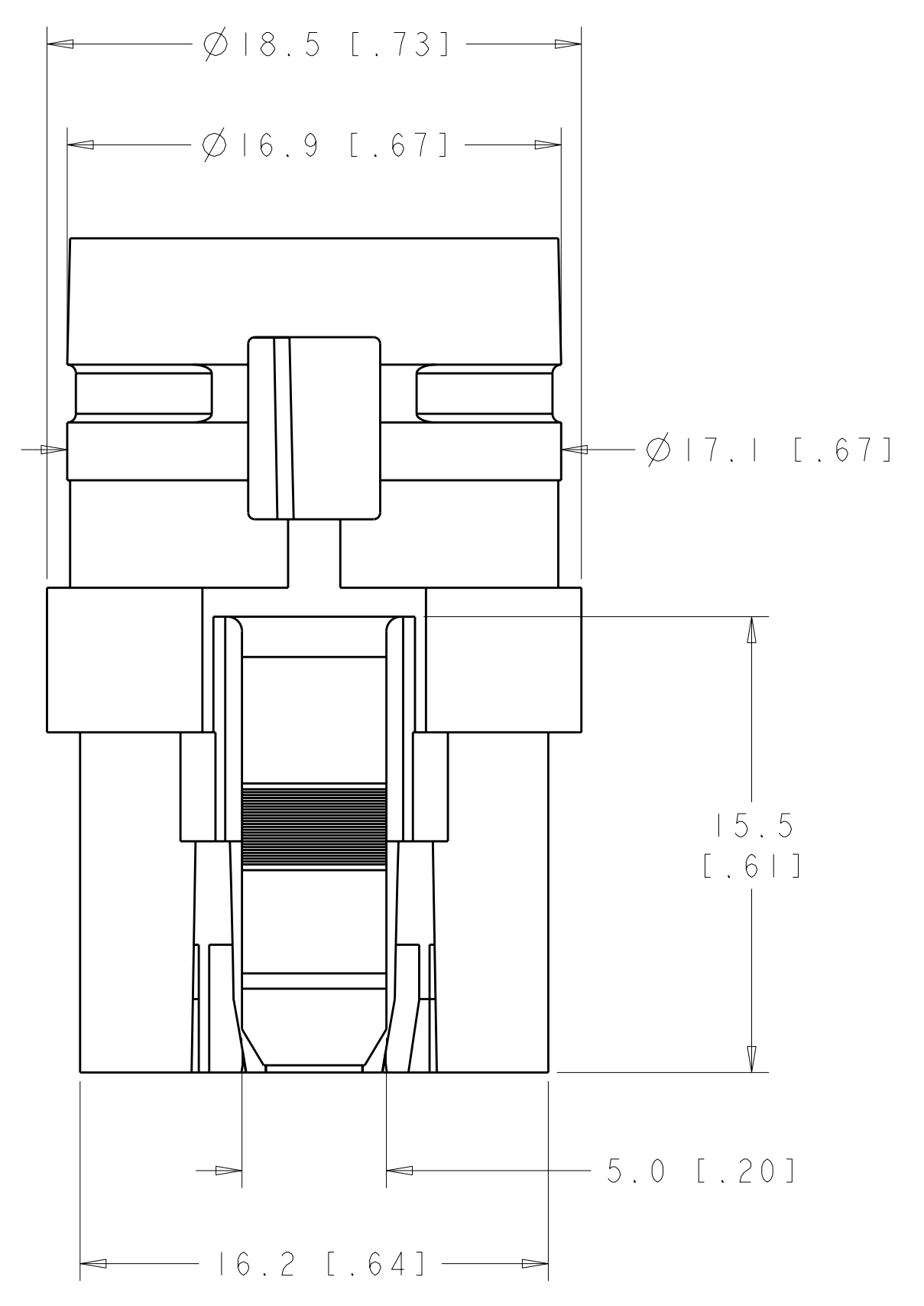
RIGHT KEY SLOT



PIN HOUSING, RIGHT KEY IS PART OF THE CABLE ASSEMBLY SHOWN FOR REFERENCE INFORMATION ONLY

| | | | |
|--|--|---|---|
| <small>THIS DRAWING IS UNPUBLISHED. RELEASED FOR PUBLICATION. ALL RIGHTS RESERVED. THIS DRAWING IS UNPUBLISHED. RELEASED FOR PUBLICATION. ALL RIGHTS RESERVED. THIS DRAWING IS UNPUBLISHED. RELEASED FOR PUBLICATION. ALL RIGHTS RESERVED.</small> | | DWN: 08 JUL 2009 CHK: HAN/GRZYBOWSKI APVD: 08 JUL 2009 CHK: D. ORRIS APVD: CHAU/PERCHERAE | Tyco Electronics Harrisburg, PA 17105-3608 |
| DIMENSIONS: mm | TOLERANCES UNLESS OTHERWISE SPECIFIED: 9 PLC ±.5 1 PLC ±0.5 2 PLC ±0.25 5 PLC ±.5 4 PLC ±.5 ANGLES ±.2 FINISH | NAME: CABLE ASSEMBLY, COILED CORD PRODUCT SPEC: PIN CONTACT, 6X No.20, DATA CONNECTOR APPLICATION SPEC: PN: 902-0131-00100E | SIZE: A CAGE CODE: 100779 DRAWING NO: C-1651610 RESTRICTED TO: |
| MATERIAL: - | FINISH: - | WEIGHT: - | CUSTOMER DRAWING |
| SCALE: 3:4 | | SHEET 4 OF 5 REV H | |

| LOC | DIST | REVISIONS | | | |
|-----|------|-------------|------|-----|------|
| P | LTB | DESCRIPTION | DATE | DWN | APVD |
| GP | 00 | SEE SHEET 1 | - | - | - |
| | | | | | |
| | | | | | |



PIN HOUSING, LEFT KEY IS PART OF THE CABLE ASSEMBLY
 SHOWN FOR REFERENCE INFORMATION ONLY

| | | | |
|--|--|---|---|
| <small>THIS DRAWING IS UNPUBLISHED. RELEASED FOR PUBLICATION BY TYCO ELECTRONICS CORPORATION. ALL RIGHTS RESERVED. THIS DRAWING IS UNPUBLISHED. RELEASED FOR PUBLICATION BY TYCO ELECTRONICS CORPORATION. ALL RIGHTS RESERVED.</small> | | DWN: 08 JUL 2009 CHK: HAN/GRZYBOWSKI APVD: D. ORRIS CHAU/PERCHERAE | Tyco Electronics Harrisburg, PA 17105-3608 |
| DIMENSIONS: mm | TOLERANCES UNLESS OTHERWISE SPECIFIED: 9 PLC ± 1 PLC ±0.5 2 PLC ±0.25 3 PLC ± 4 PLC ± ANGLES ± FINISH ±#2 | NAME: HAN/GRZYBOWSKI PRODUCT SPEC: APPLICATION SPEC: WEIGHT: CUSTOMER DRAWING | NAME: CABLE ASSEMBLY, COILED CORD PIN CONTACT, 6X No.20, DATA CONNECTOR PN: 902-0131-00100E SIZE: A 00779 C=1651610 SCALE: 3:4 SHEET: 5 OF 5 REV: H |