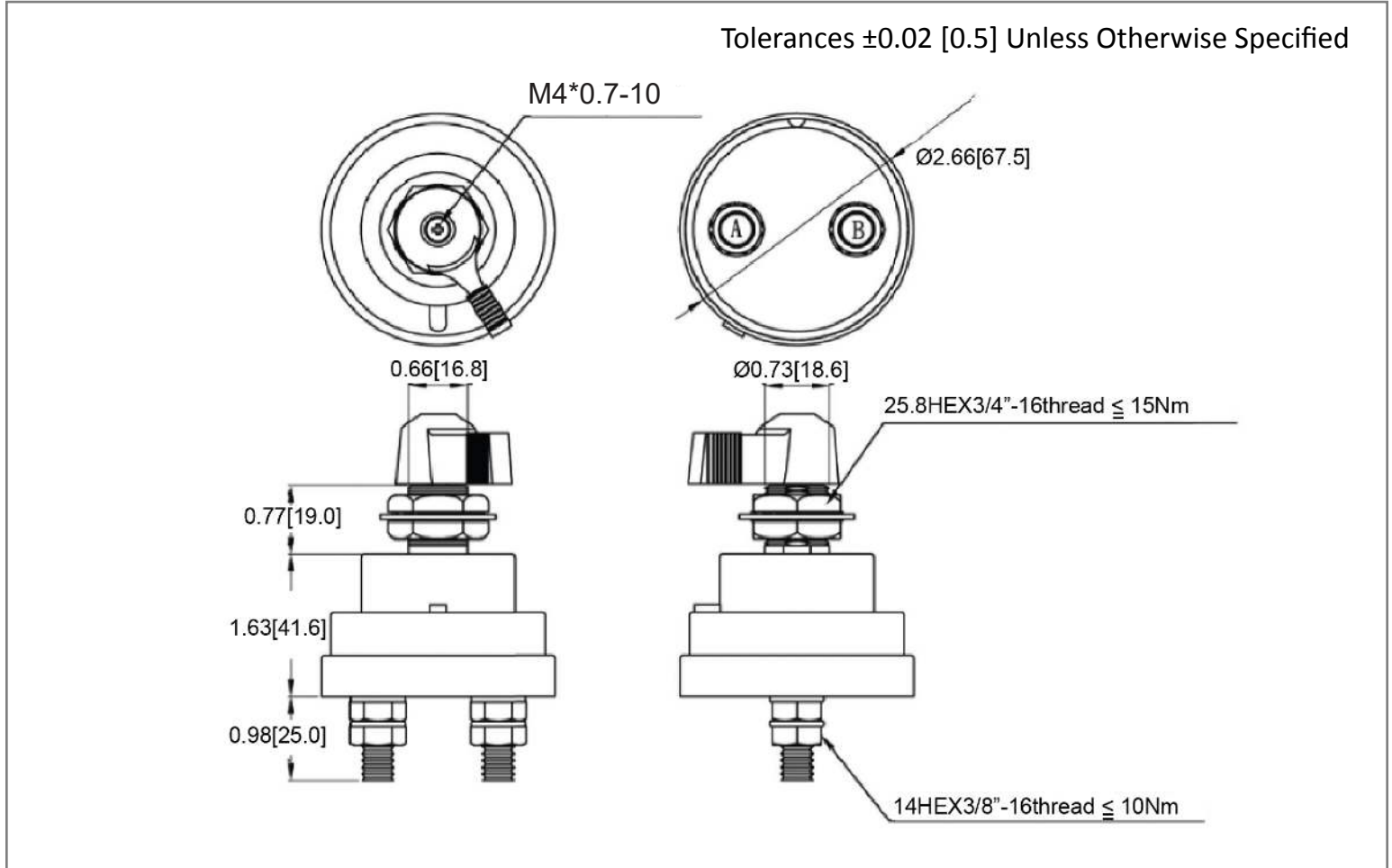
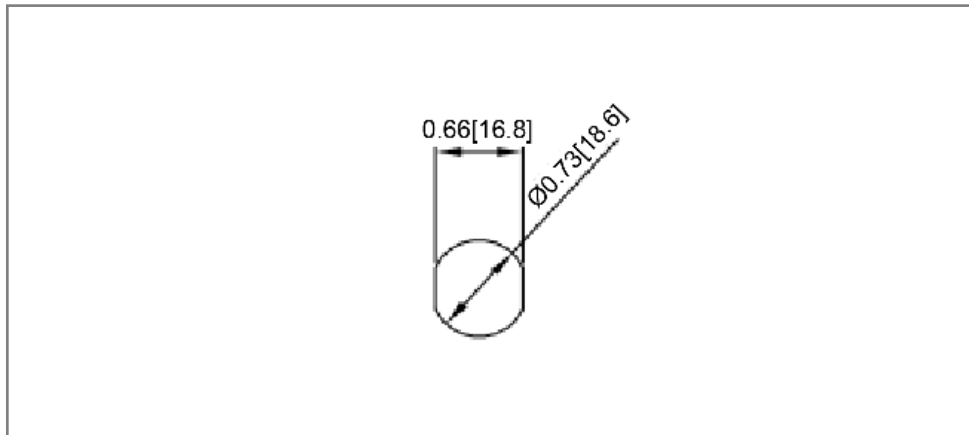


Mechanical Dimensions: Inches [mm]

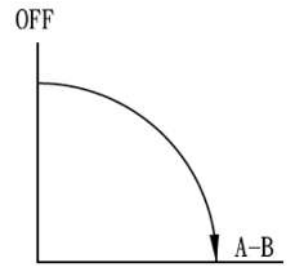


Mounting Hole



Circuit Diagram

SPST: Does not disconnect alternator or generator field circuit.



Electrical Specifications

| | |
|------------------------------|----------------------------|
| Continuous Rating | 180A 6-36VDC |
| Intermittent Rating | 1000A for 15secs intervals |
| Insulation Resistance | DC 500V 100M ohm Min |
| Dielectric Strength | AC 1000V 1 minute |
| Operation Temperature | -40°C~85°C |

| | |
|---|------|
| Zinc diecast construction | |
| Sealed with O-rings at base and mounting stem | |
| Copper, Silver plated terminals | |
| Ingress Protection | IP65 |

| Rev | Date of issue | Revision Notes | Designed | Approved |
|-----|---------------|--|----------|----------|
| C | 07-27-2023 | IP rating update and mounting hole dimension updated | RC | OF |