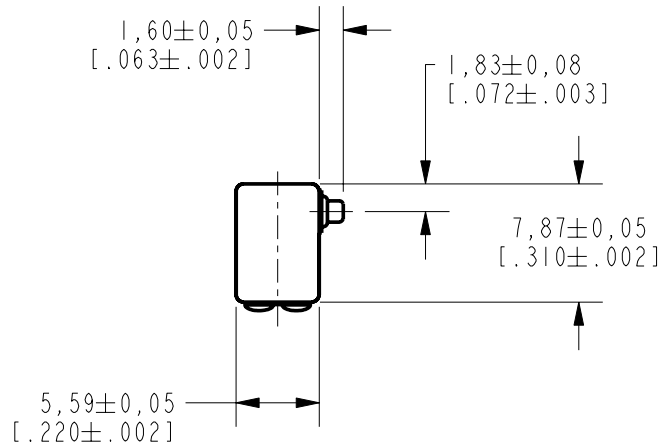
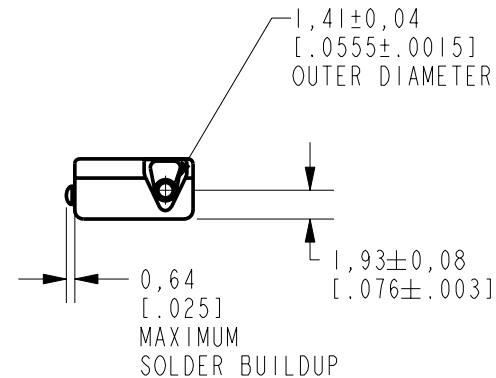
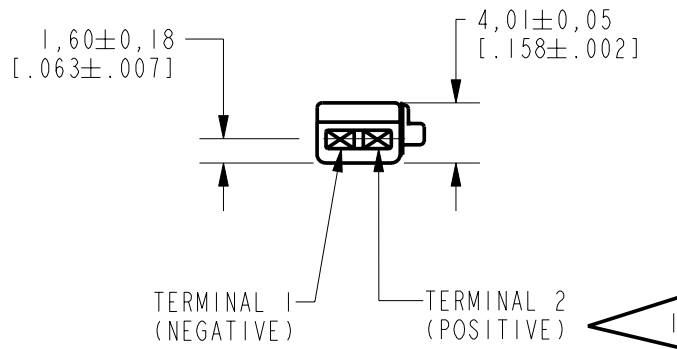


EF-26161-116
SHT 1.1



NOTE:

 A POSITIVE GOING VOLTAGE AT TERMINAL 2, RELATIVE TO TERMINAL 1, CAUSES A DECREASE IN PRESSURE AT THE SOUND OUTLET.



NOMINAL WEIGHT
.66 GRAM

DIMENSIONS IN MILLIMETERS [INCHES]

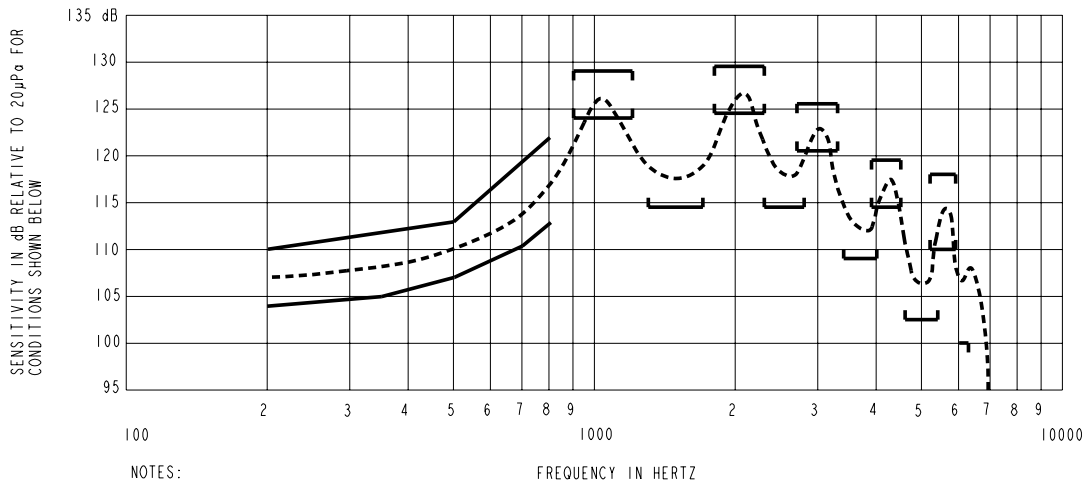
Revision	C.O. #	Implementation Date	RELEASE LEVEL	REVISION
			Released	A
A	C10103438	8-24-06		

KNOWLES ELECTRONICS
ITASCA, ILLINOIS U.S.A.

SCALE: 2:1		DR. BY: LSY	DATE: 8-24-06
DO NOT SCALE DRAWING			
TITLE: RECEIVER		EF-26161-116	
OUTLINE DRAWING		SHT 1.1	
APP. BY: GJP	DATE: 9-2-06	APP. BY: GJP	DATE: 9-2-06

NO DAMPING

EF-26161-116
SHEET 2.1



NOTES:

1. MEASUREMENTS MADE USING 8mm (.315") X 1mm (.039") ID + 28mm (1.10") X 1.5mm (.059") ID EAR HOOK SIMULATOR INTO 25mm (.984") OF 2mm (.079") ID TUBE + 18mm (.709") OF 3mm (.118") ID TUBE + 2cm³ CAVITY (AS IEC126). (T-2607 AND B & K DB0138).

2. SENSITIVITY

FREQUENCY	MIN.	MAX.
200	104.0	110.0
350	105.0	---
500	107.0	113.0
700	110.5	---
800	113.0	122.0
900-1200	124.0	129.0
1300-1700	114.5	---
1800-2300	124.5	129.5
2300-2800	114.5	---
2700-3300	120.5	125.5
3400-4000	109.0	---
3900-4500	114.5	119.5
4600-5400	102.5	---
5200-5900	110.0	118.0
<6300	100.0	---

- RESPONSE, IMPEDANCE, AND DISTORTION MEASUREMENTS MADE USING THE ELECTRICAL TEST CONDITIONS SHOWN BELOW.
- ELECTRICAL SOURCE IMPEDANCE MUST BE GREATER THAN 20 TIMES 1KHz IMPEDANCE FOR TEST CONDITIONS SHOWN BELOW.
- INDIVIDUAL SPECIFICATIONS.

PORT LOCATION	IMPEDANCE OHMS ±15%		DCR @20°C OHMS ±10%	DISTORTION		ELECTRICAL TEST CONDITIONS (CONSTANT CURRENT)	
	1KHz	500Hz		MAX. %	FREQ Hz	AC mA RMS	DC mA
2S	542	212	75	10	500	1.27	0.0

6. SUFFIX DESCRIPTION
CHECK FOR MAGNETIC RADIATION AS FOLLOWS
DRIVE MODULE WD261
FIXTURE: TK-2340
ORIENTATION: COVER DOWN
DRIVE: 1.27mA AC, 0 mA DC
METER RANGE 50 µV
MAX LIMIT: 80 ON METER (40 µV)

Revision	C.O. #	Implementation Date	RELEASE LEVEL	REVISION
A	C10103438	8-24-06	Released	A

WHEN TEST LIMITS ARE USED TO ESTABLISH INCOMING INSPECTION ACCEPTANCE/REJECTION CRITERIA, CORRELATION OF TEST EQUIPMENT WITH KNOWLES IS ALSO REQUIRED FOR ELIMINATION OF EQUIPMENT AND TEST METHOD VARIATION		DR. BY	DATE
		LSY	8-24-06
TITLE: RECEIVER		CK. BY	DATE
		GJP	9-2-06
PERFORMANCE SPECIFICATION		APP. BY	DATE
		GJP	9-2-06

KNOWLES ELECTRONICS
ITASCA, ILLINOIS U.S.A.

EF-26161-116
SHT 2.1