

SUMMARY

Wires

Low voltage 3



Image is for illustrative purpose only

Series 03
Termination type Female solder
IP rating 68 mated (mating interface)
AWG wire size 34.00 - 28.00
Cable Ø 0.00 - 0.00 mm
Status active

Download

[Request a quote](#)

[Catalog](#)

TECHNICAL DETAILS

Mechanics

Shell Style/Model PVG*: Free socket with cable collet
Keying 1 key (alpha=0; Plug: male contacts; Receptacle: female contacts)
Housing Material Brass (chrome plated [SAE AMS 2460]) shell and collet nut, nickel plated [SAE AMS QQ N 290] brass latch sleeve and mid pieces
Weight 11.79 g

Performance

Configuration 03.303 : 3 Low Voltage
Insulator
Rated Current

Specifications

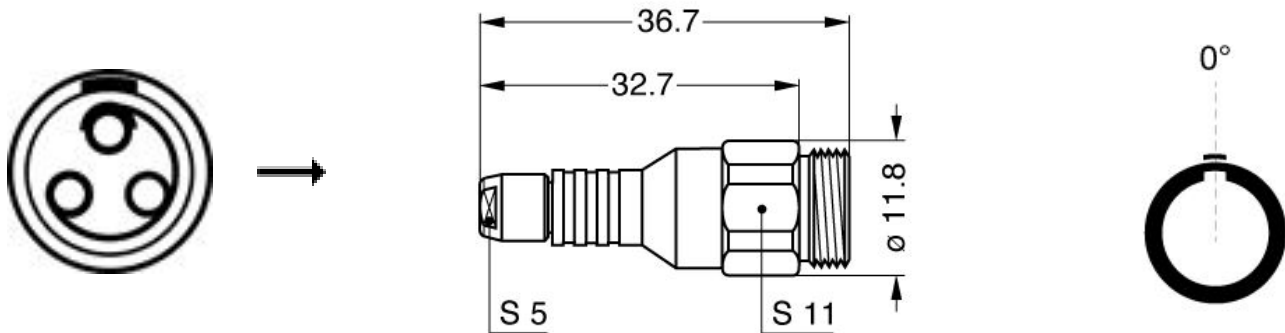
Contact Type: Solder
Contact Dia.: 0.5 mm (0.02in)
Bucket Dia.: 0.4 mm (0.016in)
Max. Solid Conductor: 0.09 mm² (AWG 28)
Max. Stranded Conductor: 0.05 mm² (AWG 30)
R (max): 8.7 mOhm

Others

LEMO products and services are provided "as is". LEMO makes no warranties or representations with regard to LEMO product & services or use of them, express, implied or statutory, including for accuracy, completeness, or security. The user is fully responsible for his products and applications using LEMO components.

Temp (min / max): -20°C / +200°C
 Humidity (max): <=95% [at 60 deg C /140 F]
 Climatical Category: 20/200/21
 Shielding (min): 100 dB (10 MHz)
 Shielding (min): 80 dB (1 GHz)
 Salt Spray Corrosion: >1000 hr
 Pressure: 60 bars (120 bars with LEMO cable assembly)

DRAWINGS



Dimensions

	A	L	M	S1	S2
mm.	11.8	36.7	32.7	11	5
in.	0,46	1,44	1,29	0,43	0,20

RECOMMENDED BY LEMO

Tools

LEMO products and services are provided "as is". LEMO makes no warranties or representations with regard to LEMO product & services or use of them, express, implied or statutory, including for accuracy, completeness, or security. The user is fully responsible for his products and applications using LEMO components.