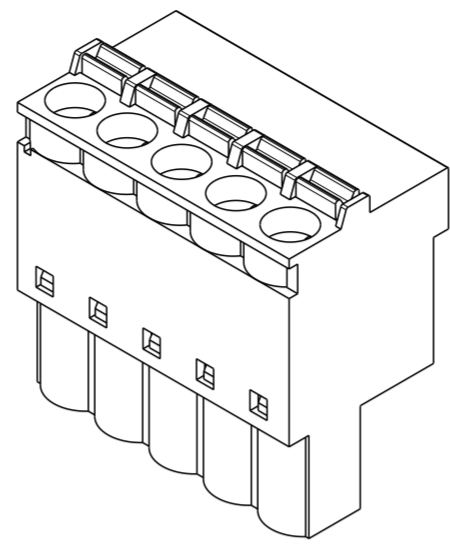
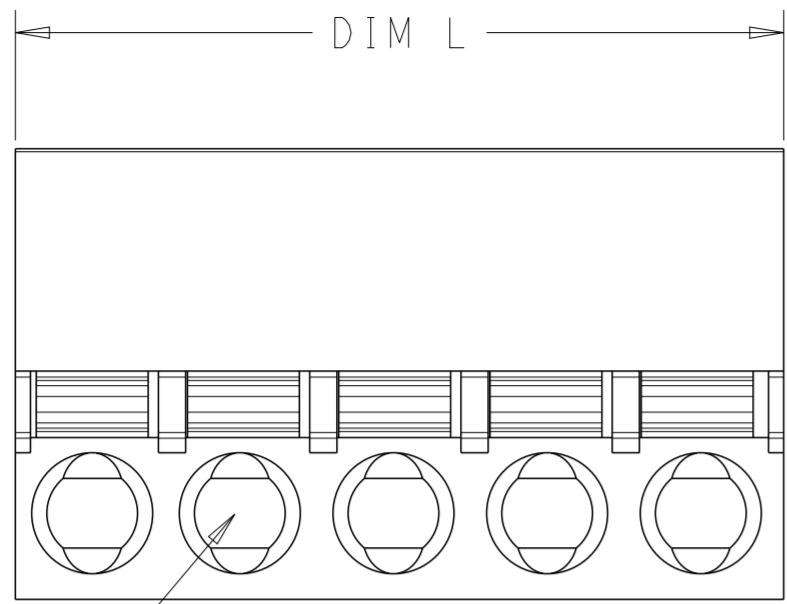
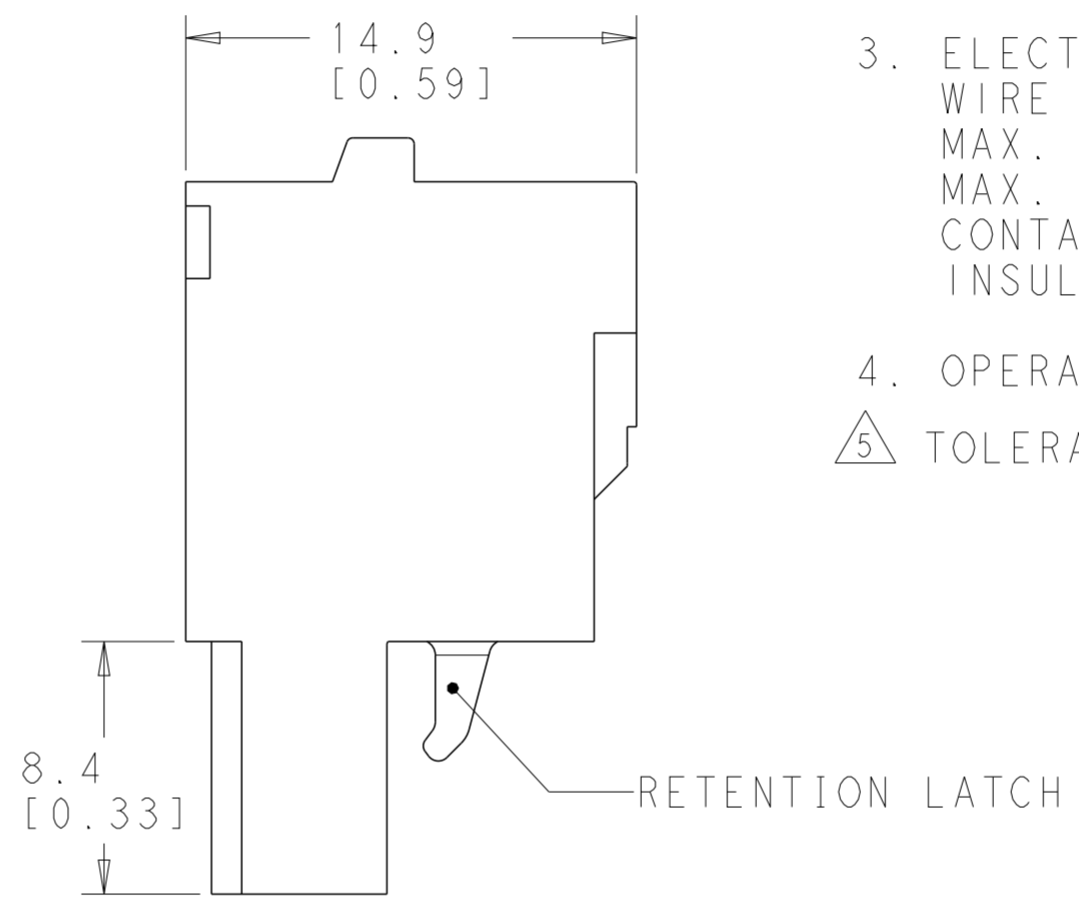
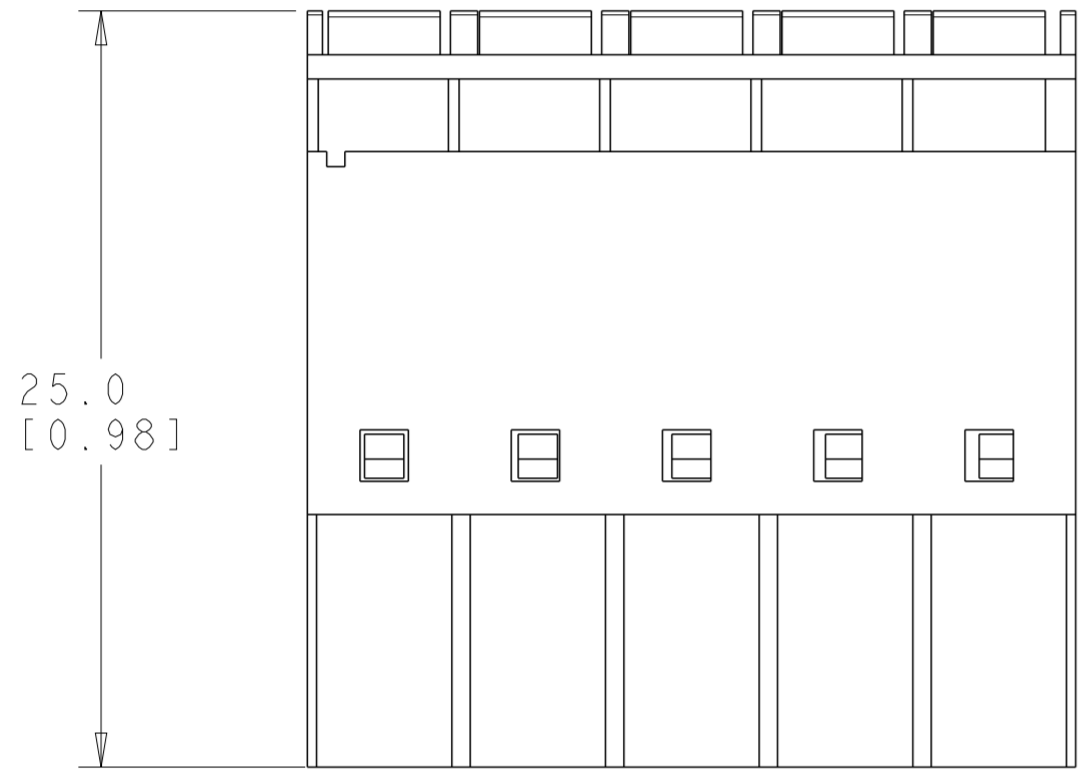


THIS DRAWING IS UNPUBLISHED. RELEASED FOR PUBLICATION 20
 © COPYRIGHT 20 BY - ALL RIGHTS RESERVED.

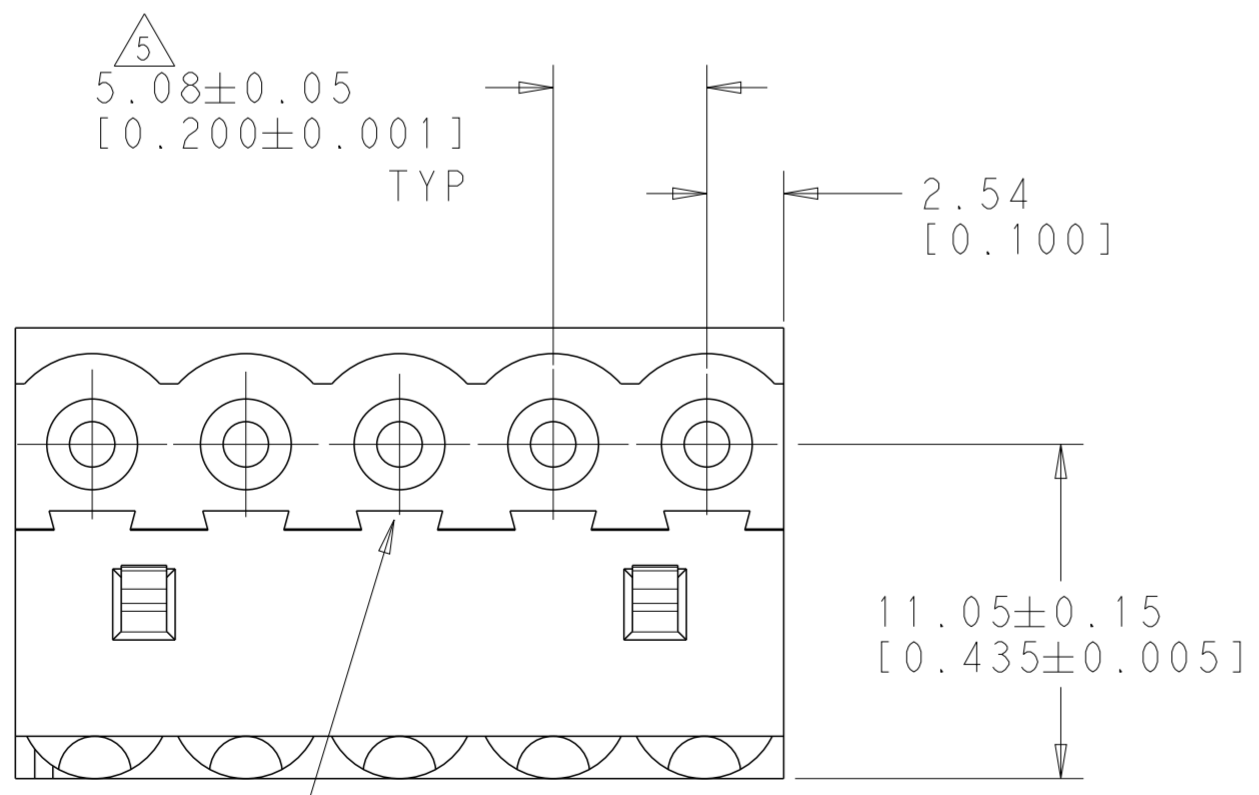
LOC		DIST		REVISIONS			
P	LTR	DESCRIPTION	DATE	DWN	APVD		
A		PARTS RELEASED FOR PRODUCTION	10JAN2019	RK	PS		
B		SHADE CHANGE IN ORANGE PUSH BUTTON COLOR	09MAY2023	SP	PS		



- NOTES:
- MATERIALS & FINISH
 HOUSING : PA66, UL94 V0, COLOR -GREEN
 PUSH BUTTON : PA66, COLOR - ORANGE.
 CONTACT : COPPER ALLOY, TIN PLATED
 SPRING : STEEL
 - MECHANICAL
 MAX. INSERTION FORCE PER POLE : 3.0 N
 MIN. WITHDRAWAL FORCE PER POLE : 1.5 N
 WIRE STRIPPING LENGTH : 10.0 mm
 - ELECTRICAL
 WIRE RANGE : 14-30 AWG
 MAX. VOLTAGE : 300V
 MAX. CURRENT : 12A
 CONTACT RESISTANCE : <15 m Ohm
 INSULATION RESISTANCE : >1000 M Ohm (500V DC)
 - OPERATING TEMPERATURE RANGE : -40°C TO +105°C
- △ TOLERANCE NOT CUMULATIVE



18	91.44[3.600]	1-1986262-8
17	86.36[3.400]	1-1986262-7
16	81.28[3.200]	1-1986262-6
15	76.20[3.000]	1-1986262-5
14	71.12[2.800]	1-1986262-4
13	66.04[2.600]	1-1986262-3
12	60.96[2.400]	1-1986262-2
11	55.88[2.200]	1-1986262-1
10	50.80[2.000]	1-1986262-0
9	45.72[1.800]	1986262-9
8	40.64[1.600]	1986262-8
7	35.56[1.400]	1986262-7
6	30.48[1.200]	1986262-6
5	25.40[1.000]	1986262-5
4	20.32[0.800]	1986262-4
3	15.24[0.600]	1986262-3
2	10.16[0.400]	1986262-2
POS	DIM L ±0.40 [±.015]	PART NO



THIS DRAWING IS A CONTROLLED DOCUMENT.

DWN: KIRN, HOLA 11 JAN 2013
 CHK: BRUBAKER, MARK 11 JAN 2013
 APVD: BRUBAKER, MARK 11 JAN 2013

STE TE Connectivity

NAME: SPRING FEMALE PLUG, GREEN, 5.08 MM PITCH

SIZE: A2 CAGE CODE: 00779 DRAWING NO: C-1986262 RESTRICTED TO: -

MATERIAL: SEE NOTES DIMENSIONS: mm [INCHES] TOLERANCES UNLESS OTHERWISE SPECIFIED: 0 PLC ±0.3 1 PLC ±0.25 [0.012] 2 PLC ±0.25 [0.012] 3 PLC ±0.009 4 PLC ±0.009 ANGLES ±2° FINISH: SEE NOTES

PRODUCT SPEC: - APPLICATION SPEC: - WEIGHT: -

CUSTOMER DRAWING SCALE: 4:1 SHEET 1 OF 1 REV B