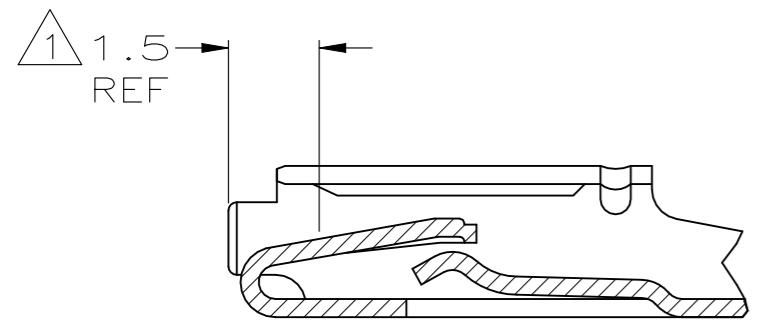
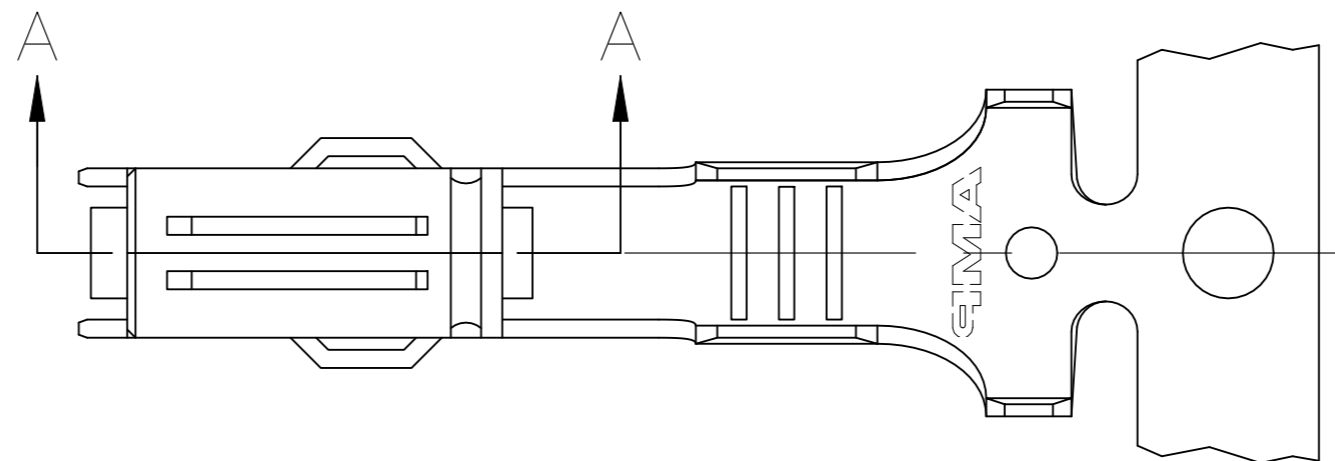
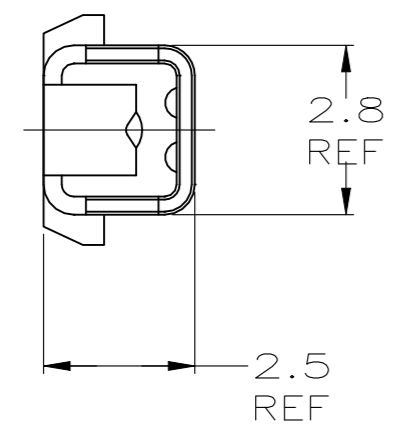
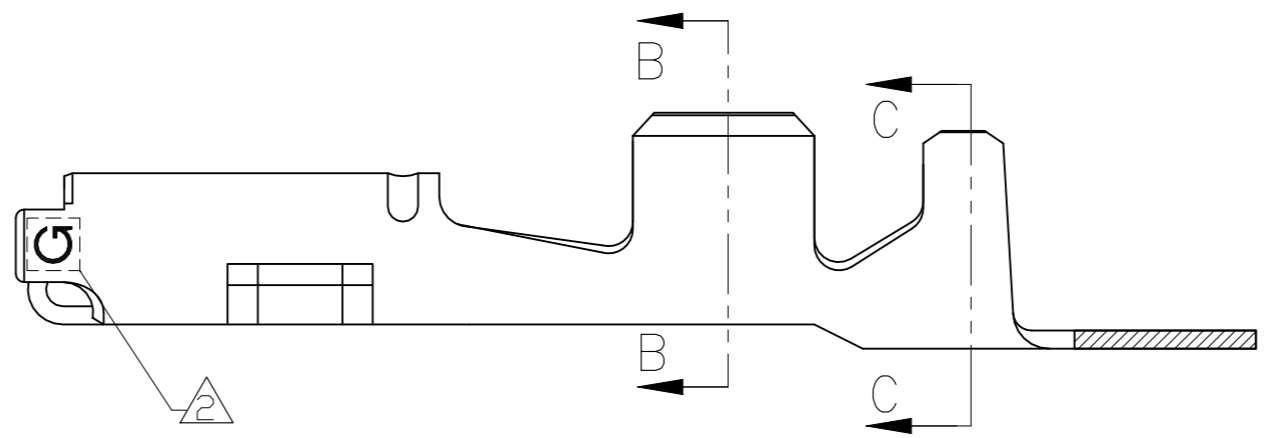


REVISIONS					
P	LTR	DESCRIPTION	DATE	DWN	APVD
	D	REVISED PER ECO-21-002133	15APR2021	SM	AH

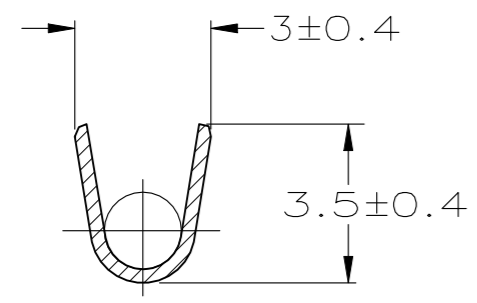
1 NYE FLUOROETHER GREASE  
 2 FOR GOLD PLATED PART ONLY - AT LEAST ONE "G" INDICATOR MUST BE VISIBLE IN THIS LOCATION ON EITHER SIDE INDICATING GOLD PLATED CONTACT



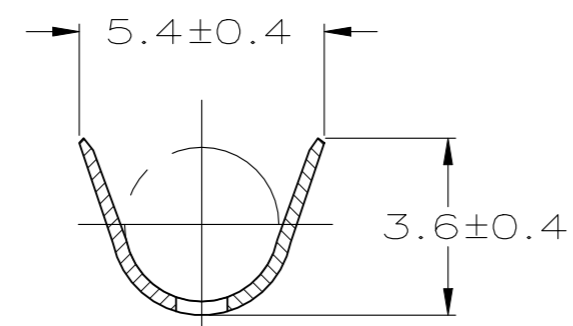
SECTION A-A  
SCALE 8:1



TIN	1.2 - 2.7 $\phi$	AVS 0.5 - 2.0mm <sup>2</sup> (#20 - #14 AWG)	184289-3
SELECT GOLD	1.2 - 2.7 $\phi$	AVS 0.5 - 2.0mm <sup>2</sup> (#20 - #14 AWG)	184289-1
FINISH	INSULATION DIAMETER	WIRE RANGE	PART NUMBER



SECTION B-B



SECTION C-C

THIS DRAWING IS A CONTROLLED DOCUMENT.

DWN K.WISE	04/14/97	TE Connectivity CONTACT, RECEPTACLE, .070			
CHK E.OSWANDEL	04/15/97				
APVD E.OSWANDEL	04/15/97				
PRODUCT SPEC					
APPLICATION SPEC		NAME			
MATERIAL PH BRZ (0.3 THK)	FINISH	SIZE	CAGE CODE	DRAWING NO	RESTRICTED TO
		0	A3 00779	C-184289	-
CUSTOMER DRAWING			SCALE	SHEET	REV
			8:1	1 OF 1	D