

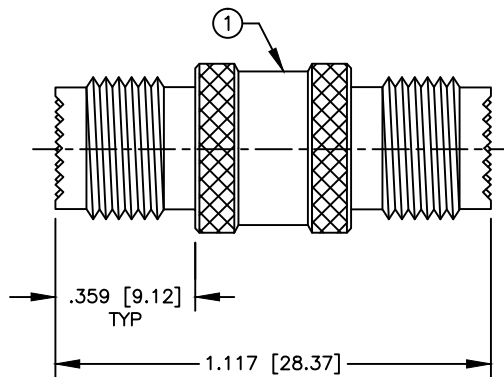
SPECIFICATION CONTROL DRAWING

THIS DRAWING CONTAINS INFORMATION PROPRIETARY TO RF INDUSTRIES, LTD. ANY UNAUTHORIZED USE OF THIS DRAWING IS EXPRESSLY PROHIBITED. ANY VIOLATION IS PUNISHABLE UNDER U.S. COPYRIGHT LAWS.

REV	DESCRIPTION	DWN	DATE	APPROVED
E	CREATE BODY SECTION DRAWING	KMM	2/21/96	R. RICE
F	CHG DIM ON DIE ITEM #3 / ADD DIMS TO CONTACT ITEM #2	CZS	3/4/98	R. RICE
G	CONTACT NOW PHOS BRONZE	CZS	9/9/99	R. RICE
H	CHANGE CONTACT MATERIAL	CZS	1/26/00	J. D. McR.

ALL DIMENSIONS ARE REFERENCE ONLY

000000



SPECIFICATIONS:

IMPEDANCE: 50 OHMS
 WORKING VOLTAGE: 335 VRMS @ SEA LEVEL
 FREQUENCY RANGE: 0-2.5 GHz

DIMENSIONS ARE IN INCHES
 AND [MILLIMETERS]

UNLESS OTHERWISE NOTED
 TOLERANCES ARE:
 DECIMALS DIAMETER

RFconnectors

DIVISION OF RF INDUSTRIES, LTD.

7610 MIRAMAR RD
 SAN DIEGO, CA 92126
 (858) 549-6340
 (858) 549-6345 FAX

RFU-629

MINI UHF FEMALE TO MINI UHF FEMALE BARREL ADAPTER

4	PRESS FIT WASHER	1	BRASS	NICKEL	DRAWN C. ZUNIGA	1/26/00			
3	DIELECTRIC	2	PTFE	NONE	CHECKED				
2	CONTACT	1	BRASS	GOLD	ORJ DRAWN C. JONES	1/23/92	SIZE A	CABLE GROUP N/A	
1	BODY	1	BRASS	NICKEL			DWG NO. 8075	REV H	
ITEM	DESCRIPTION	QTY	MATERIAL	FINISH	APPROVALS	DATE	SCALE: 2:1	CAD FILE 13ARC B	SHEET 1 OF 1