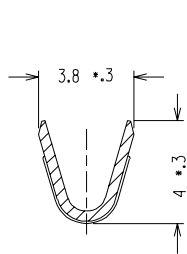
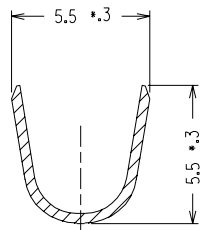


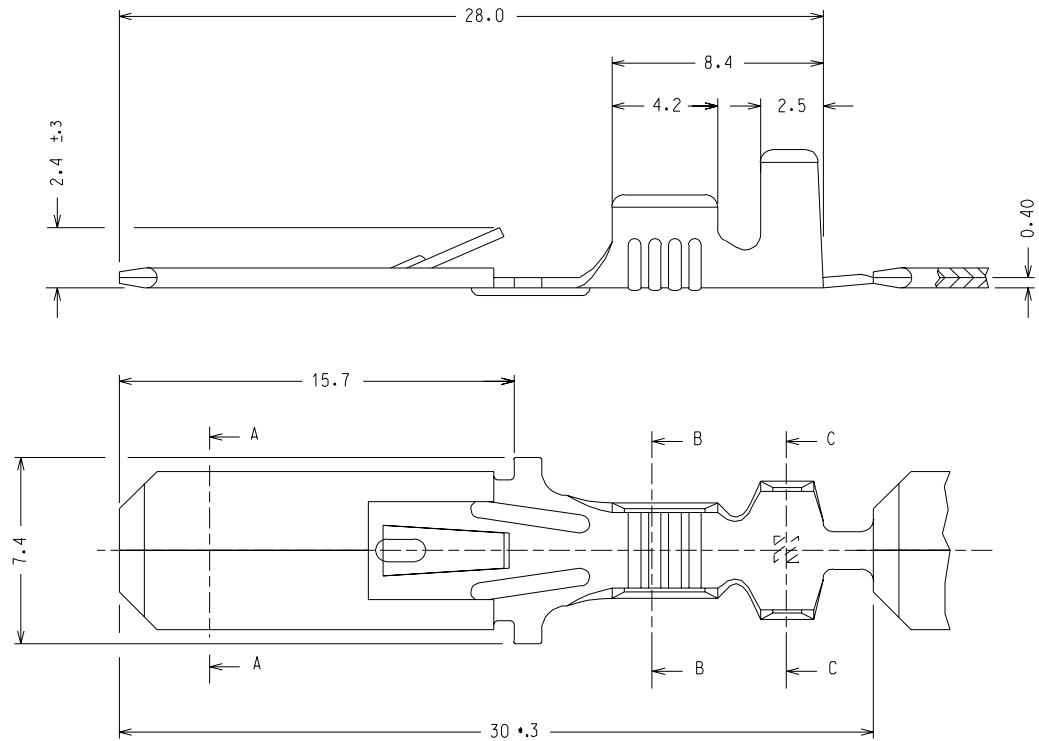
SECTION A - A



SECTION B - B



SECTION C - C



CODICE P/N	MATERIALE MATERIAL	FINITURA PLATING
94030-4080	OTTONE	GREGGIO/ PLAIN
94030-4081	BRASS	STAGNATO/ TIN
94030-4082	BRONZO FOSF.	GREGGIO/ PLAIN
94030-4083	PHOSPH. BRONZE	STAGNATO/ TIN

A I ECN Z3-169 25-11-93 C.F. Aggiunto nervatura su dentino	A ECN Z0-004 C.F. 10 - 01 - 90	LTR REVISIONS	DIMENSIONS SHOWN (METRIC) INCH		DRWG BY Gottardo	REVISIONS		REVISE ONLY ON CAD SYSTEM		SH.	REV.
			UNLESS OTHERWISE SPECIFIED TOLERANCES ANGULAR ± 2°			CHK'D BY		CADCAM FILENAME			
								THIS DRAWING CONTAINS INFORMATION THAT IS PROPRIETARY TO MOLEX INC AND SHOULD NOT BE USED WITHOUT WRITTEN PERMISSION			
								TITLE			
								TERMINALE MASCHIO DA 6.3 x 0.8			
								MALE TERMINAL 6.3 x 0.8			
								SEZ. RAME/ WIRE RANGE: 1.0-2.5 mm <sup>2</sup> — ISOLANTE/INS. RANGE: Ø 2.7-4.3 mm			
								APP'D BY			
								Previato			
								SCALE			
								5 : 1			
								DESIGN DIMENSION (PRIMARY)			
								<input checked="" type="checkbox"/> (MM) <input type="checkbox"/> (IN)			
								EQUIVALENT DIMENSION (SECONDARY)			
								<input type="checkbox"/> (MM) <input type="checkbox"/> (IN)			
								PART NO.			
								VEDI TABELLA SEE CHART			
								DWG NO.			
								94030-408X SD			
								SHEET NO. DATE			
								1 / 1 09-01-90			
								MOLEX MOLEX INCORPORATED			
								SIZE			
								B			