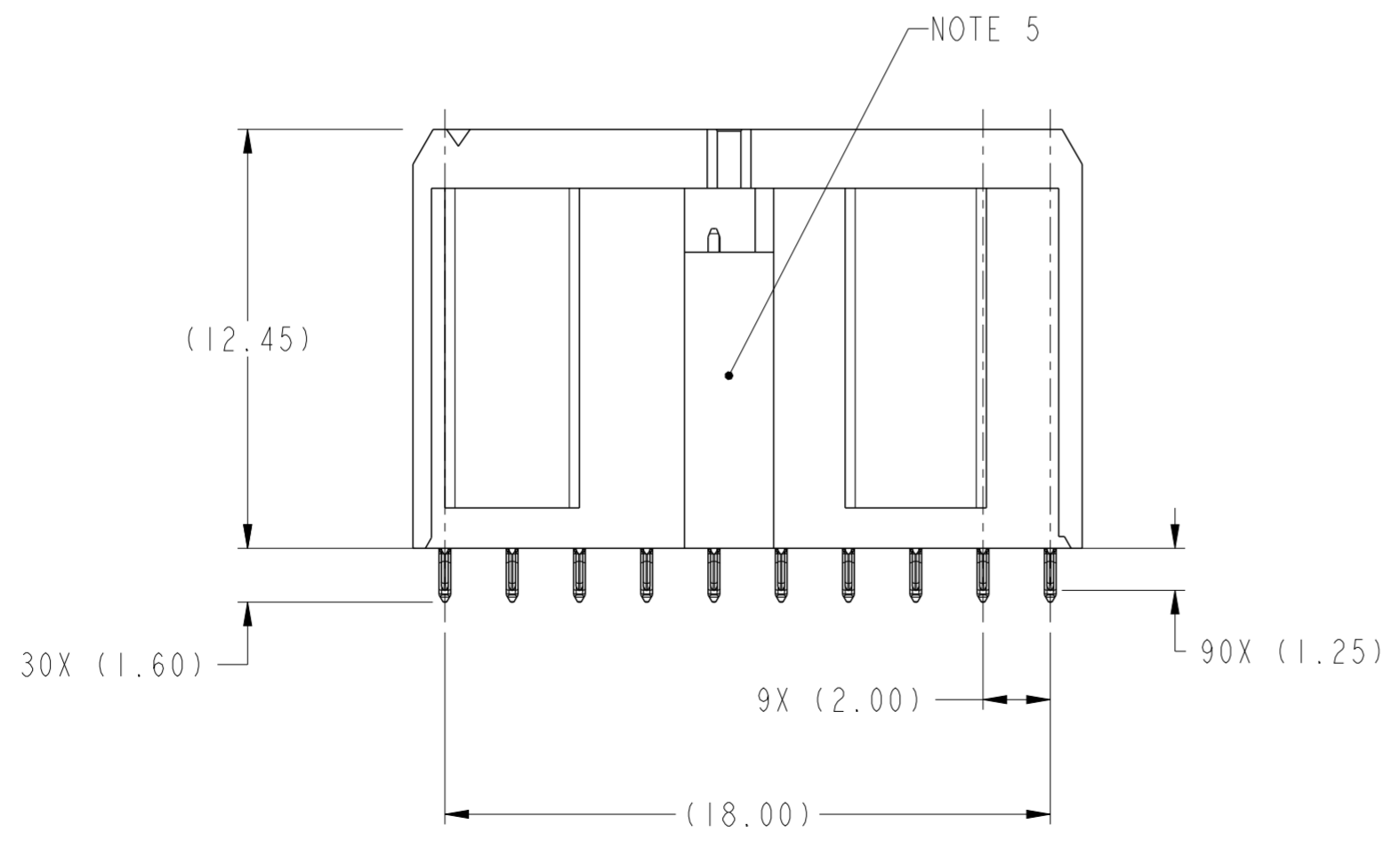
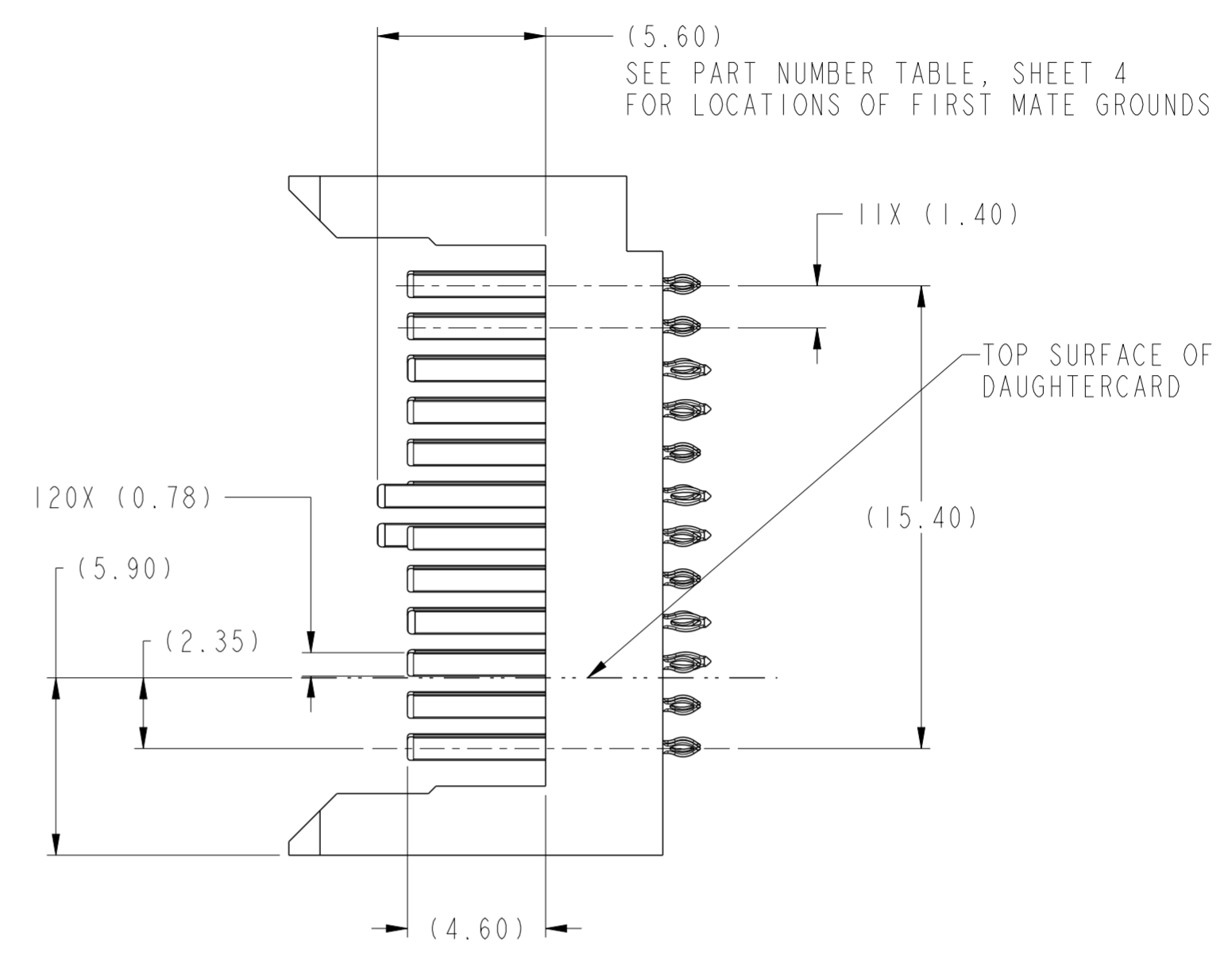
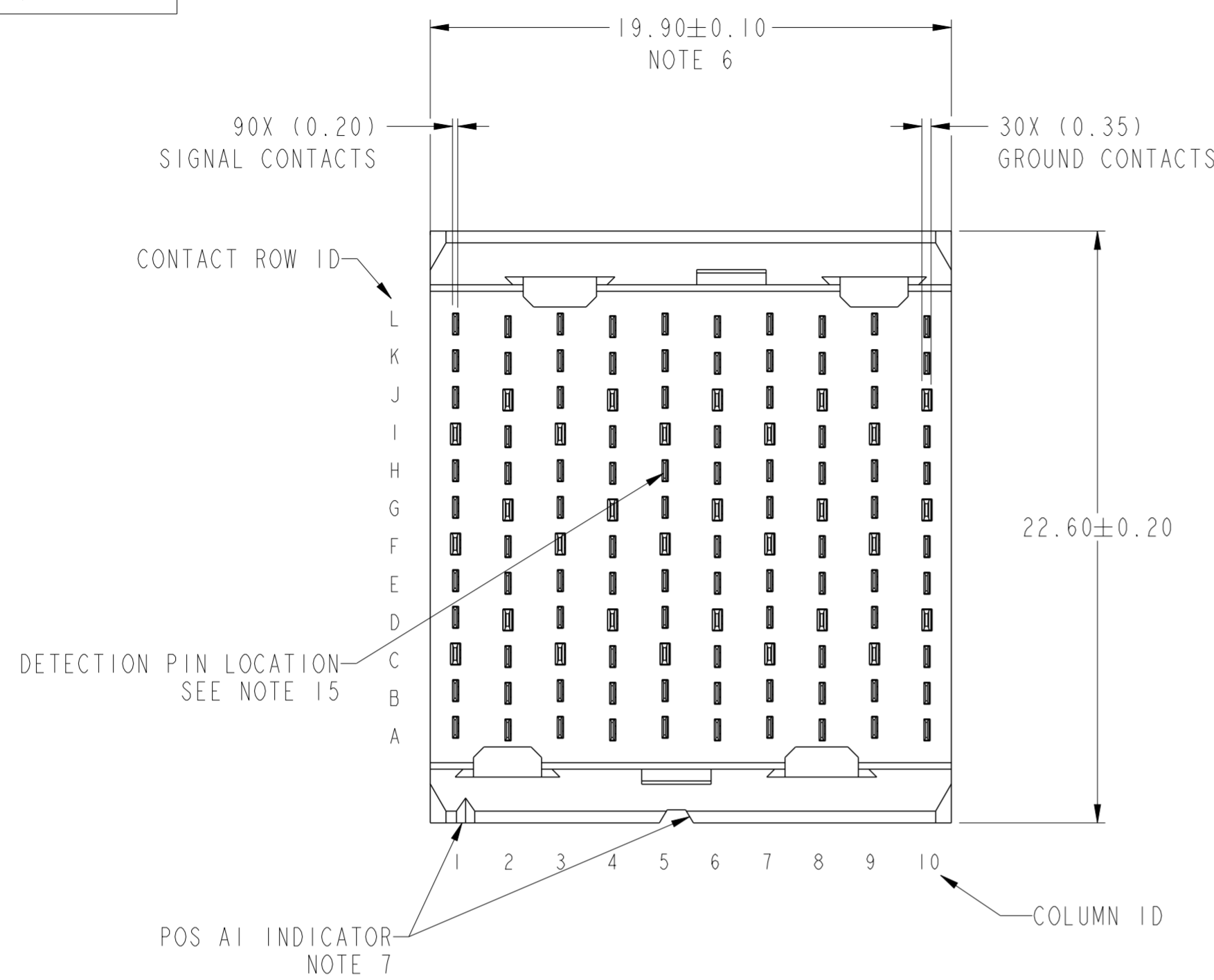


Product number
SEE TABLE, SHT 4



spec ref	-	dr	Sandar Soe	2012/1/15	projection	MM	size	A2	scale	5:1
tolerance std	ASME Y14.5	eng	Terry Luo	2020/09/08	chr	-	ecn no	ELX-DG-38252-1	rel level	Released
surface	-	appr	Heaven Cen	2020/09/17	product family	AIRMAX VS	cat. no.	10123359	rev	D
ASME Y14.5	TOLERANCES UNLESS OTHERWISE SPECIFIED	linear	0.X	±0.3	angular	0°	Product - Customer Drw		sheet 1 of 4	

PDS: Rev :D

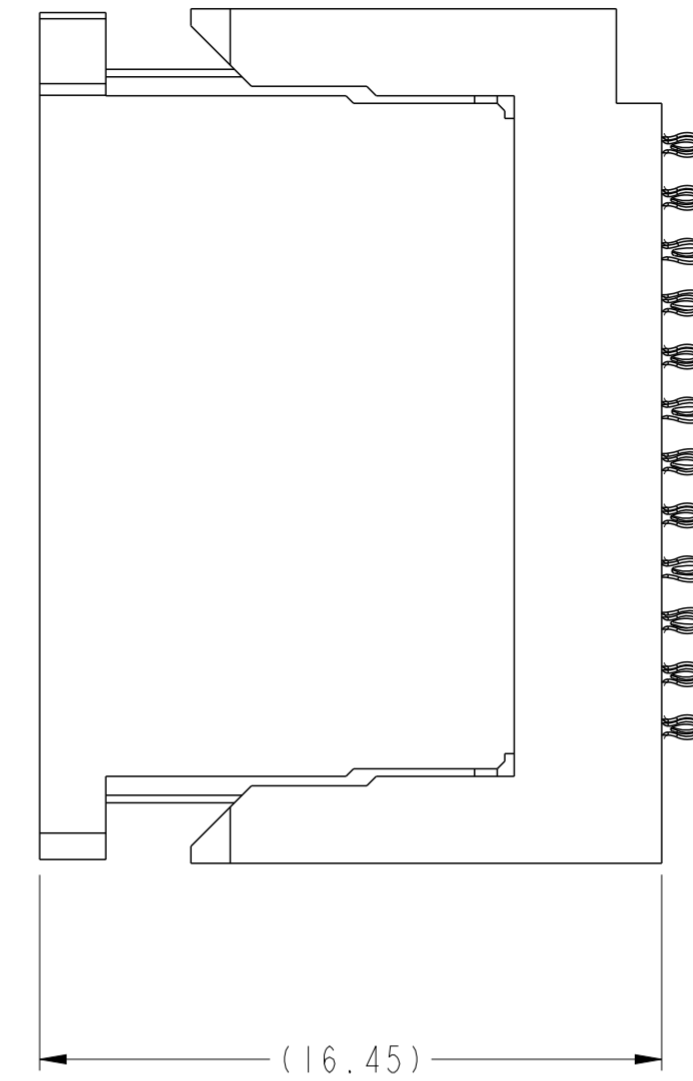
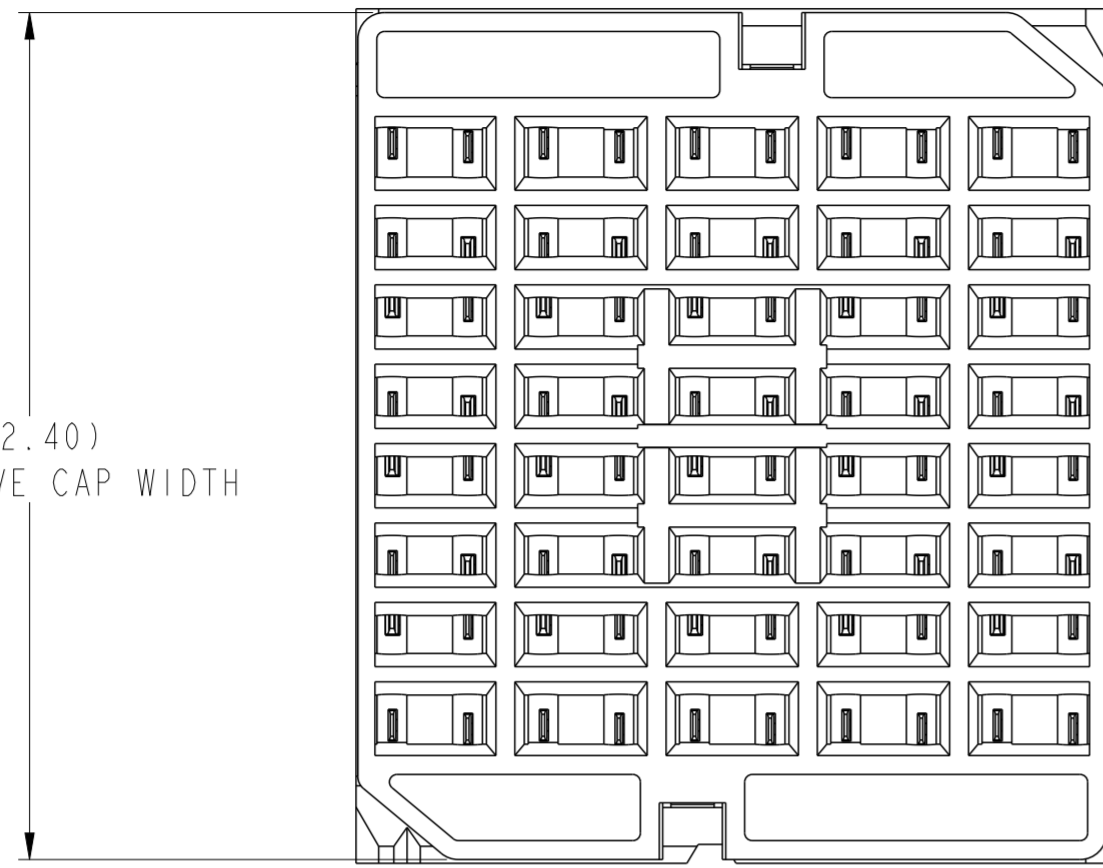
STATUS:Released

Printed: Sep 18, 2020

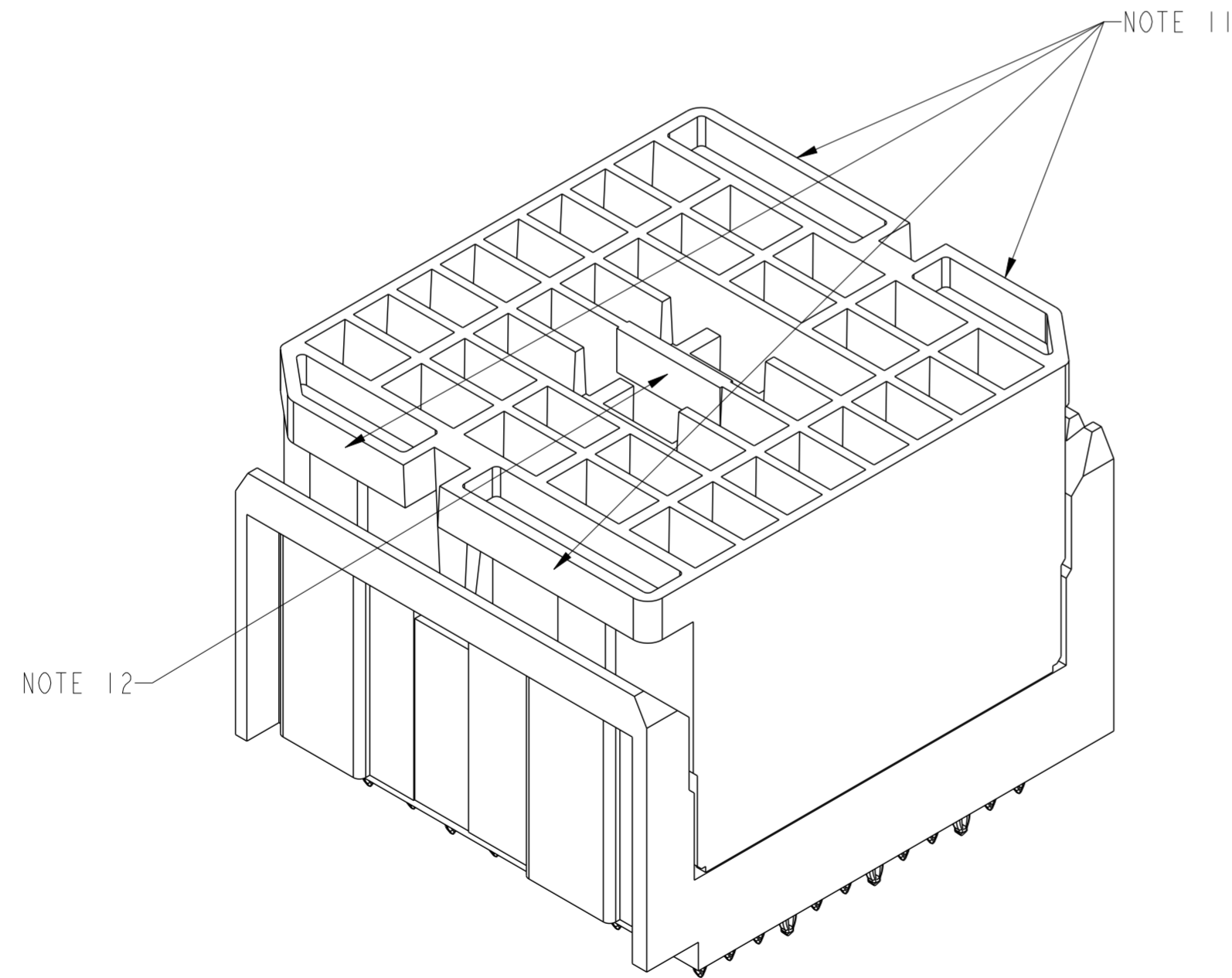
Amphenol FCI

© 2016 AFCI

(22.40)
PROTECTIVE CAP WIDTH



VIEWS SHOWN WITH
PROTECTIVE COVER INSTALLED
10123359-10ILF & 11ILF



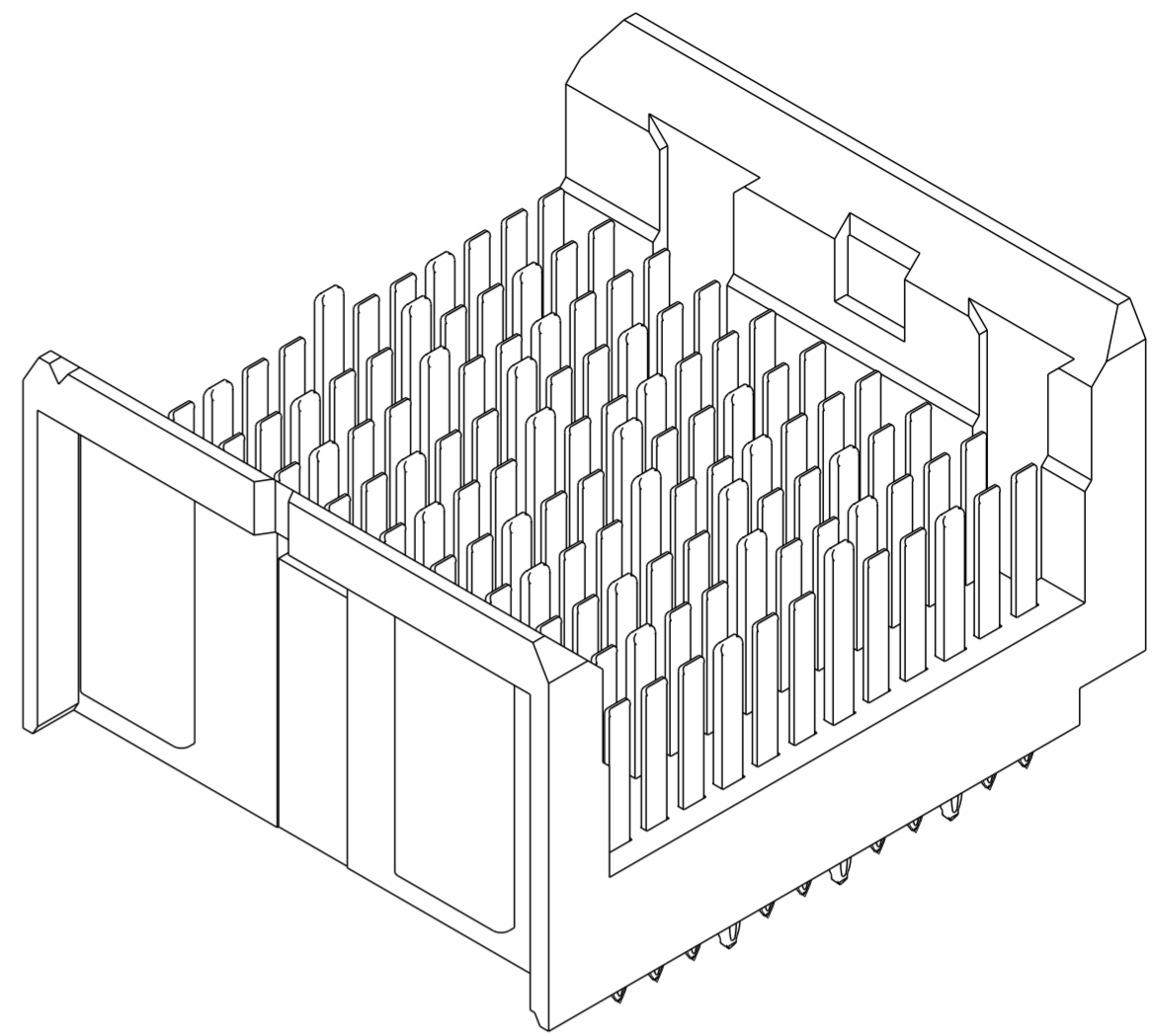
spec ref	-	dr	Sandar Soe	2012/11/15	projection	MM	size	A2	scale	5:1		
tolerance std	ASME Y14.5	eng	Terry Luo	2020/09/08			ecn no	ELX-DG-38252-1				
TOLERANCES UNLESS OTHERWISE SPECIFIED		chr	-	appr			Heaven Cen	2020/09/17	product family	AIRMAX VS	rel level	Released
surface	-	linear	0.X	±0.3					title	AIRMAX VSE VERTICAL HEADER		rev
ASME Y14.5	✓	angular	0°	±2°			4 PAIR 120 POS 2MM 10 COL SMALL PRESS FIT, GXT	cat. no.	10123359	Product - Customer Drw	sheet 2 of 4	

PDS: Rev :D

STATUS:Released

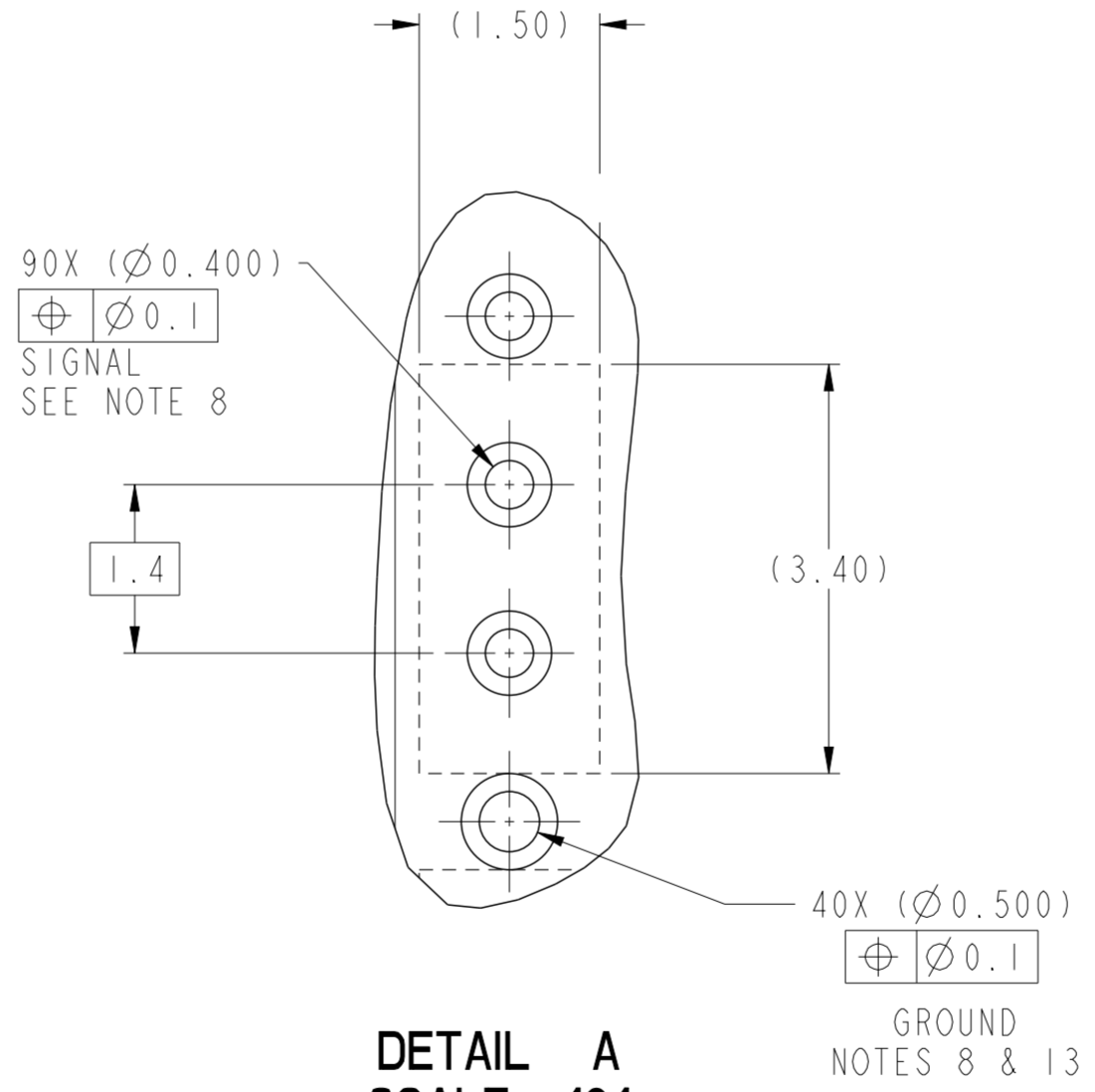
Printed: Sep 18, 2020

PART NUMBER	PRESS-FIT TAIL PLATING TYPE	PROTECTIVE COVER	DETECTION PIN	LONG GROUND PIN LOCATIONS (5.6MM)	REMARKS
10123359-101LF	TIN OVER NICKEL (LEAD FREE)	YES	NO	F1, F3, F5, F7, F9, G2, G4, G6, G8, G10	2-SIDED PLATING
10123359-111LF		YES	YES		



- NOTES:
- CONNECTOR MATERIALS:
HOUSING: HIGH TEMP THERMOPLASTIC, BLACK, UL94V-0
CONTACT: COPPER ALLOY
 - CONTACT PLATING:
SEPARABLE INTERFACE: PERFORMANCE-BASED PLATING, QUALIFIED TO MEET THE REQUIREMENTS OF FCI PRODUCT SPECIFICATION GS-12-XXX INCLUDING TELCORDIA GR-1217-CORE (NOVEMBER 1995) CENTRAL OFFICE TEST SEQUENCE
PRESS-FIT TAILS: SEE TABLE
 - PRODUCT SPECIFICATION: GS-12-239.
 - APPLICATION SPECIFICATION: GS-20-035.
 - PRODUCT MARKING, (PROTOTYPE, PART NUMBER & LOT CODE), ON THIS SURFACE.
 - THE MINIMUM CENTERLINE SPACING BETWEEN ADJACENT MODULES IS 20.0 mm.
 - CONNECTOR OUTLINE WITH HOUSING POS A1 INDICATOR MAY BE SCREEN PRINTED ONTO CUSTOMER PCB TO BE USED AS A GUIDE FOR MANUAL CONNECTOR PLACEMENT.
 - REFER TO CUSTOMER DRAWING 10104444 FOR INFORMATION ON PCB HOLE DIAMETERS AND PLATING OPTIONS.
 - THIS PRODUCT MEETS EUROPEAN UNION DIRECTIVES AND OTHER COUNTRY REGULATIONS AS DESCRIBED IN GS-22-008.
 - PACKAGING MEETS GS-14-920 LEAD FREE LABELING SPECIFICATION.
 - FOR REMOVAL OF THE PROTECTIVE CAP BY HAND GRIP USING THESE SURFACES.
 - FOR REMOVAL OF THE PROTECTIVE CAP WITH PLIERS GRIP USING THIS FEATURE.
 - GROUND VIAS IN POSITIONS C, F, I, & M FOR ODD COLUMNS AND POSITIONS D, G, J, & N FOR EVEN COLUMNS REQUIRE (Ø0.50) FINISHED HOLES. ALL OTHER VIAS REQUIRE (Ø0.40) FINISHED HOLES.
 - THE OUTER VIAS IN COLUMN M ARE OPTIONAL. IF ADDED THESE HOLES PROVIDE GROUND SYMMETRY THROUGH THE PCB. NO CONNECTOR PINS WILL BE PRESSED INTO THESE HOLES.
 - MATING PIN H5 IS 0.5mm LESS WIPE NOMINAL THAN THE SHORTEST PIN.

10123359-101LF & 111LF WITHOUT PROTECTIVE COVER



Amphenol FCI

© 2016 AFCI

spec ref	-	dr	Sandar Soe	2012/11/15	projection	MM	size	A2	scale	5:1
tolerance std	ASME Y14.5	eng	Terry Luo	2020/09/08			ecn no	ELX-DG-38252-1		
TOLERANCES UNLESS OTHERWISE SPECIFIED		chr	-	appr			Heaven Cen	2020/09/17	product family	AIRMAX VS
surface	-	linear	0.X	±0.3			AIRMAX VSE VERTICAL HEADER 4 PAIR 120 POS 2MM 10 COL SMALL PRESS FIT, GXT		cat. no.	-
		angular	0°	±2°					Product - Customer Drw	sheet 4 of 4

PDS: Rev :D

STATUS:Released

Printed: Sep 18, 2020