

HANDLE SHANKS

Glass-fibre reinforced polyamide based (PA) technopolymer.

TUBE

Polyvinylchloride (PVC), black colour.

IP PROTECTION

IP 65 protection class, according to EN 60529 table (see page A-18).

FEATURES AND APPLICATIONS

RH-FG16 handle perfectly combines ergonomics, functionality and safety. In the handle a button (change-over contact) and two leds (red and green) are integrated, indicating the locked and unlocked state. By pressing the button, the operator requires access to the protected area through external logic (PLC). This area is unlocked/locked through a solenoid located inside the protected zone and connected by a cable to the logic (PLC).

SPECIAL EXECUTIONS ON REQUEST

- Tubular handle with safety button and reset button.
- Tubular handle with safety button and built-in emergency push button with or without reset button.

ACCESSORIES ON REQUEST

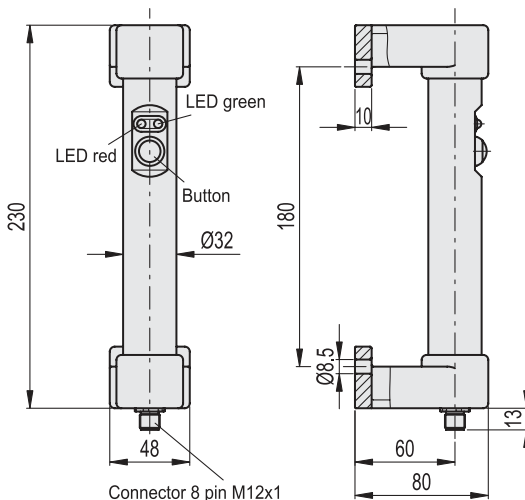
- Locking/unlocking solenoids.
- RHFZ-KS.G08.10: cable with 8 pole M12x1 connector length 10 m.



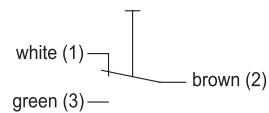
Two leds (red and green) that indicate the locked and unlocked statuses.

Electrical features

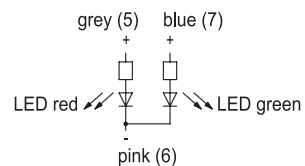
Led light voltage	24 Vdc
Maximum commutable voltage	24 V AC/DC / max 28 V AC/DC / max 2 A



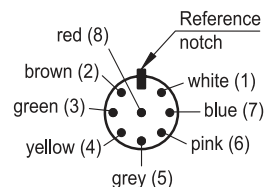
SWITCH



LEDS



CONTACT WIRING CABLE



Code	
RHFG16-01S.180.84	315

Tubular handle with safety button and emergency push button.

In case of need, the operator can stop the machine by pressing the emergency button. The disengagement of the latter can be made through a simple rotation. The emergency button is in compliance with EN 418.

Tubular handle with safety button, reset button and emergency push button.

Tubular handle with safety button and reset button.



- 1
- 2
- 3
- 4
- 5
- 6
- 7
- 8
- 9
- 10
- 11
- 12
- 13
- 14
- 15
- 16
- 17
- 18