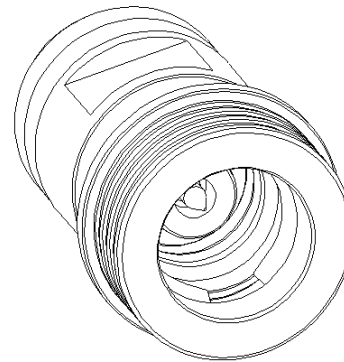
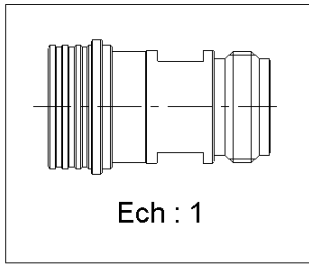
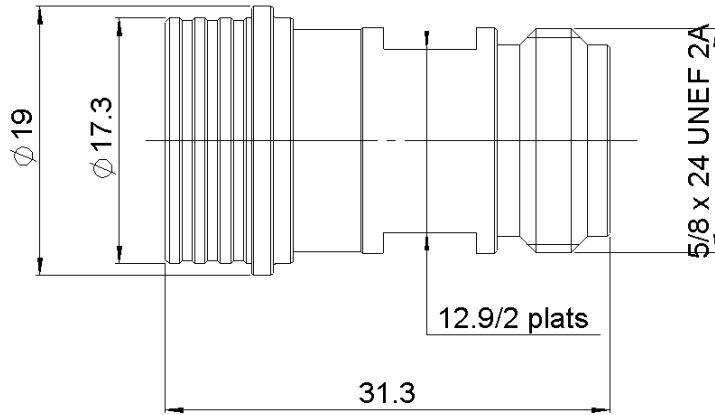


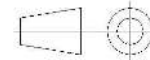
**QN MALE**  
**N FEMALE ADAPTER**

**R191.759.000**

Série : ADAPT



All dimensions are in mm.



COMPONENTS	MATERIALS	PLATING (µm)
BODY	BRASS	BBR OVER SILVER
CENTER CONTACT	BERYLLIUM COPPER	SILVER PASSIVATED OVER COPPER
OUTER CONTACT	BERYLLIUM COPPER	NPGR
INSULATOR	PTFE	
GASKET	EPDM	
OTHERS PARTS	BRASS	BBR
-	-	-
-	-	-

Issue : 1308 E

In the effort to improve our products, we reserve the rights to make changes judged to be necessary.  
 This document contains proprietary information and such information shall not be disclosed to any third party for any purpose whatsoever or used for manufacturing purposes without prior written agreement from RADIALL



**QN MALE**

**R191.759.000**

**N FEMALE ADAPTER**

Série : ADAPT

**PACKAGING**

Standard	Unit	Other
<b>1</b>	-	<b>Contact us</b>

**SPECIFICATION**

**ELECTRICAL CHARACTERISTICS**

Impedance	<b>50</b>	$\Omega$
Frequency	<b>0-6*</b>	GHz
VSWR	<b>1.05 + 0.0250</b>	x F(GHz) Maxi
Insertion loss	<b>0.048</b>	$\sqrt{F}$ (GHz) dB Maxi
RF leakage	- ( <b>**90</b> )	- F(GHz)) dB Maxi
Voltage rating	<b>1400</b>	Veff Maxi
Dielectric withstanding voltage	<b>2500</b>	Veff mini
Insulation resistance	<b>5000</b>	M $\Omega$ mini

**ENVIRONMENTAL**

Operating	<b>-55/+125</b>	$^{\circ}$ C
Hermetic seal	<b>NA</b>	Atm.cm3/s
Panel leakage	<b>NA</b>	

**MECHANICAL CHARACTERISTICS**

Center contact retention		
Axial force – Mating end	<b>27</b>	N mini
Axial force – Opposite end	<b>27</b>	N mini
Torque	<b>NA</b>	N.cm mini

Recommended torque		
Mating	<b>QN</b>	<b>0</b> N.cm
	<b>N</b>	<b>0</b> N.cm
		<b>0</b> N.cm
Panel nut	<b>NA</b>	N.cm

Mating life	<b>100</b>	Cycles mini
Weight	<b>30.6200</b>	g

**OTHER CHARACTERISTICS**

- \* Usable 0-11GHz
- \*\*RF Leakage:-80dB min 3<F<6
- \*\*\*PIM3 : -112dbm (2 x 20W at 1.8GHz)

**Issue : 1308 E**

In the effort to improve our products, we reserve the rights to make changes judged to be necessary.  
 This document contains proprietary information and such information shall not be disclosed to any third party for any purpose whatsoever or used for manufacturing purposes without prior written agreement from RADIALL

