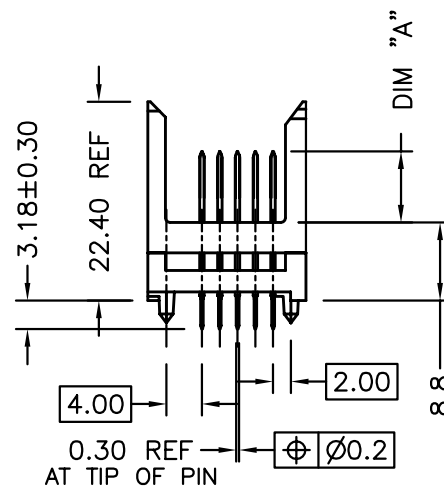
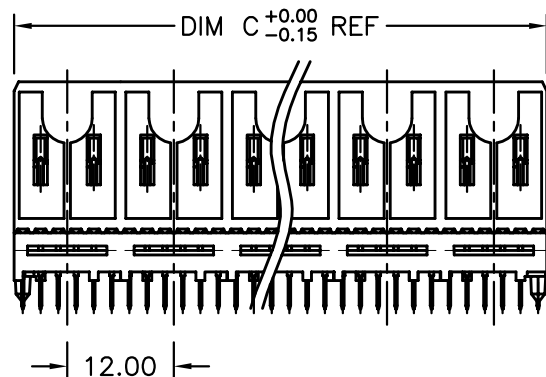
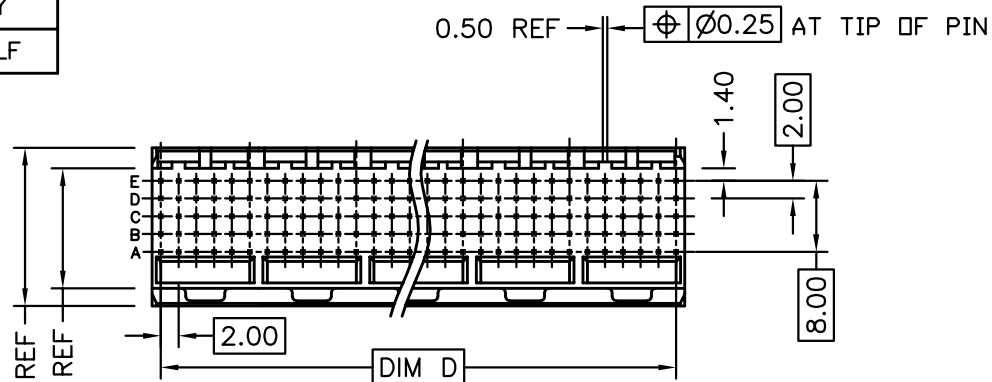
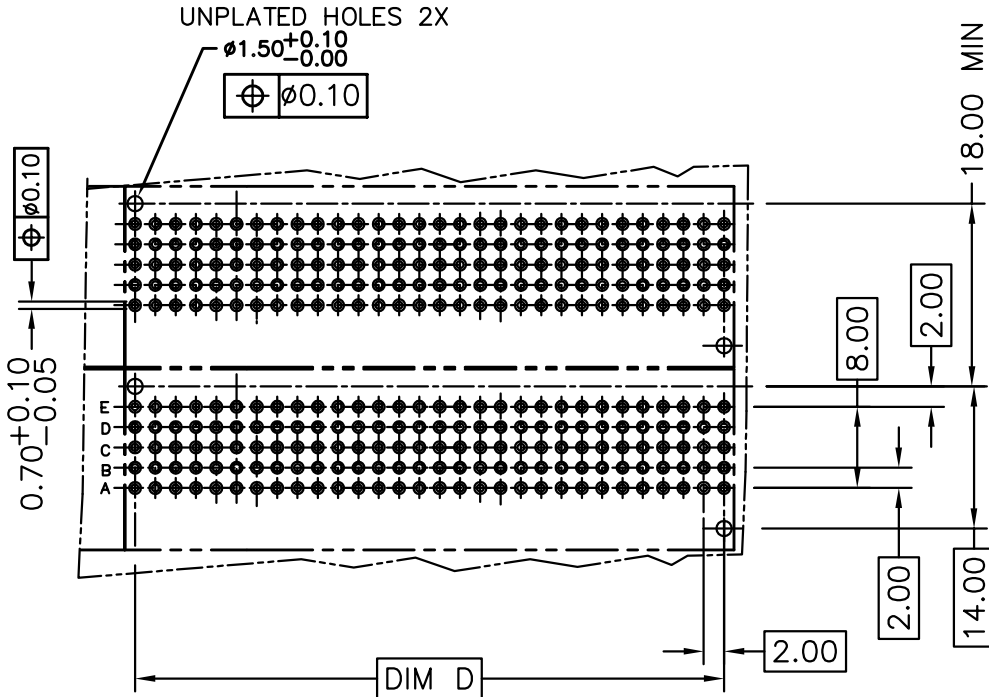


PRODUCT NUMBER
84859-XXXX
84859-XXXXLF



mat'l. code SEE NOTES				surface ASME Y14.5		tolerance ASME Y14.5		projection 		product family METRAL	
ltr	ecn no	dr	date	tolerances unless otherwise specified				MM		title	
D	V21617	CGD	10/10/02	angles		.X ±.3	MM		METRAL SIGNAL HEADER 5 ROW STB WITH SPACER		
E	V03-0564	TAB	5/20/03	linear		.XX ±.13	MM				
F	V03-0816	TAB	6/18/03	0° ±2'		.XXX ±.051	scale 1:1		dwg no		
G	V03-1120	LP	10/16/03	dr	M. FETROW	11/12/98			sheet 1 of 3		
H	V05-0892	JRV	9/13/05	engr	D. McCLUNE	11/12/98			84859		size A4
J	V06-0609	DCH	2006-06-22	chr	D. McCLUNE	11/12/98			type		
				app	D. McCLUNE	11/12/98			CUSTOMER Drawing		
sheet index	revision sheet	J	J	J							
		1	2	3							

PRODUCT NUMBER
84859-XXXX
84859-XXXXLF



RECOMMENDED HOLE PATTERN
COMPONENT SIDE
SEE PRINT 58531 FOR
ADDITIONAL PCB INFORMATION

NOTES:

- ① BODY MATERIAL: LIQUID CRYSTAL POLYMER, 30% GLASS. FLAME RETARDANT ACC. UL 94-V0
- ② PIN MATERIAL: PHOSPHOR BRONZE.
3. PLATING SOLDERTAILS: 2-8 μ m SnPb 85-97
84859-XXXX IS SnPb
84859-XXXXLF IS Sn (LEAD FREE)
4. PRODUCT MARKING: PART NUMBER & BATCH I.D.
5. THE PRODUCTS WHERE THE PART NUMBER ENDS IN 'LF' MEET THE EUROPEAN DIRECTIVES AND OTHER COUNTRY REGULATIONS AS DESCRIBED IN GS-22-008.
ALL PRODUCTS WILL WITHSTAND EXPOSURE TO 260°C FOR 60 SECONDS IN A CONVECTION, INFRA-RED OR VAPOR PHASE REFLOW OVEN.
- 6 FOR LEAD FREE PART NUMBERS, ADD 'LF' SUFFIX.
EXAMPLE: 84859-X001LF

PLATING IN CONTACT AREA		
PLATING CODE	THICKNESS	UNDERPLATING
-1YYY	0.8 μ m Au	1.3 μ m Ni MIN.
-9YYY	0.8 μ m GXT	1.3 μ m Ni MIN.
-1YYYYLF	0.8 μ m Au	1.3 μ m Ni MIN.
-9YYYYLF	0.8 μ m GXT	1.3 μ m Ni MIN.

mat'l. code SEE NOTES		surface ASME Y14.5	tolerance ASME Y14.5	projection 	product family METRAL
ltr	ecn no	dr	date	tolerances unless otherwise specified	title
j				angles .X \pm 3	METRAL SIGNAL HEADER 5 ROW STB WITH SPACER
				0' \pm 2'	
				vertical .XX \pm 13	scale 1:1
				horizontal .XXX \pm 051	dwg no
				dr M. FETROW 11/12/98	sheet 2 of - size
				engr D. McCLUNE 11/12/98	84859 A4
				chr D. McCLUNE 11/12/98	type
				app D. McCLUNE 11/12/98	CUSTOMER Drawing
sheet index	revision sheet				

PRODUCT NO	DIM "C"	DIM "D"	ROW	1	2	3	4	5	6	7	8	9	10	11	12	13	14	15	16	17	18	19	20	21	22	23	24	25	26	27	28	29	30
84859-X001	59.95	58.00	E	01	01	01	01	01	01	01	01	01	01	01	01	01	01	01	01	01	01	01	01	01	01	01	01	01	01	01	01	01	01
			D	02	02	02	02	02	02	02	02	02	02	02	02	02	02	02	02	02	02	02	02	02	02	02	02	02	02	02	02	02	02
C			03	03	03	03	03	03	03	03	03	03	03	03	03	03	03	03	03	03	03	03	03	03	03	03	03	03	03	03	03	03	
B			04	04	04	04	04	04	04	04	04	04	04	04	04	04	04	04	04	04	04	04	04	04	04	04	04	04	04	04	04	04	
A			05	05	05	05	05	05	05	05	05	05	05	05	05	05	05	05	05	05	05	05	05	05	05	05	05	05	05	05	05	05	

PRODUCT NO	DIM "C"	DIM "D"	ROW	1	2	3	4	5	6	7	8	9	10	11	12	13	14	15	16	17	18
84859-X002	35.95	34.00	E	05	05	05	05	05	05	05	05	05	05	05	05	05	05	05	05	05	05
			D	05	05	05	05	05	05	05	05	05	05	05	05	05	05	05	05	05	05
C			05	05	05	05	05	05	05	05	05	05	05	05	05	05	05	05	05	05	
B			05	05	05	05	05	05	05	05	05	05	05	05	05	05	05	05	05	05	
A			05	05	05	05	05	05	05	05	05	05	05	05	05	05	05	05	05	05	

CODE	DIM "A"
01	5.00
02	5.75
03	6.50
04	7.25
05	8.00

mat'l. code SEE NOTES		surface ASME Y14.5		tolerance ASME Y14.5		projection 		product family METRAL	
ltr	ecn no	dr	date	tolerances unless otherwise specified		title METRAL SIGNAL HEADER 5 ROW STB WITH SPACER		dwg no 84859	
j				angles	.X ±.3	MM		sheet 3 of - size A4	
				0° ±2'	.XX ±.13	scale 1:1		type CUSTOMER Drawing	
				dr	M. FETROW 11/12/98				
				engr	D. McCLUNE 11/12/98				
				chr	D. McCLUNE 11/12/98				
				appd	D. McCLUNE 11/12/98				
sheet index	revision sheet								