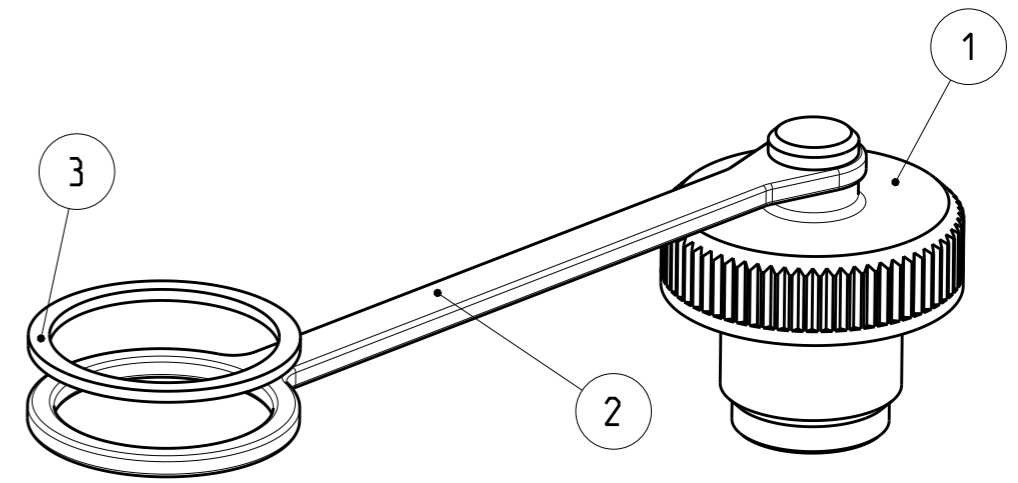
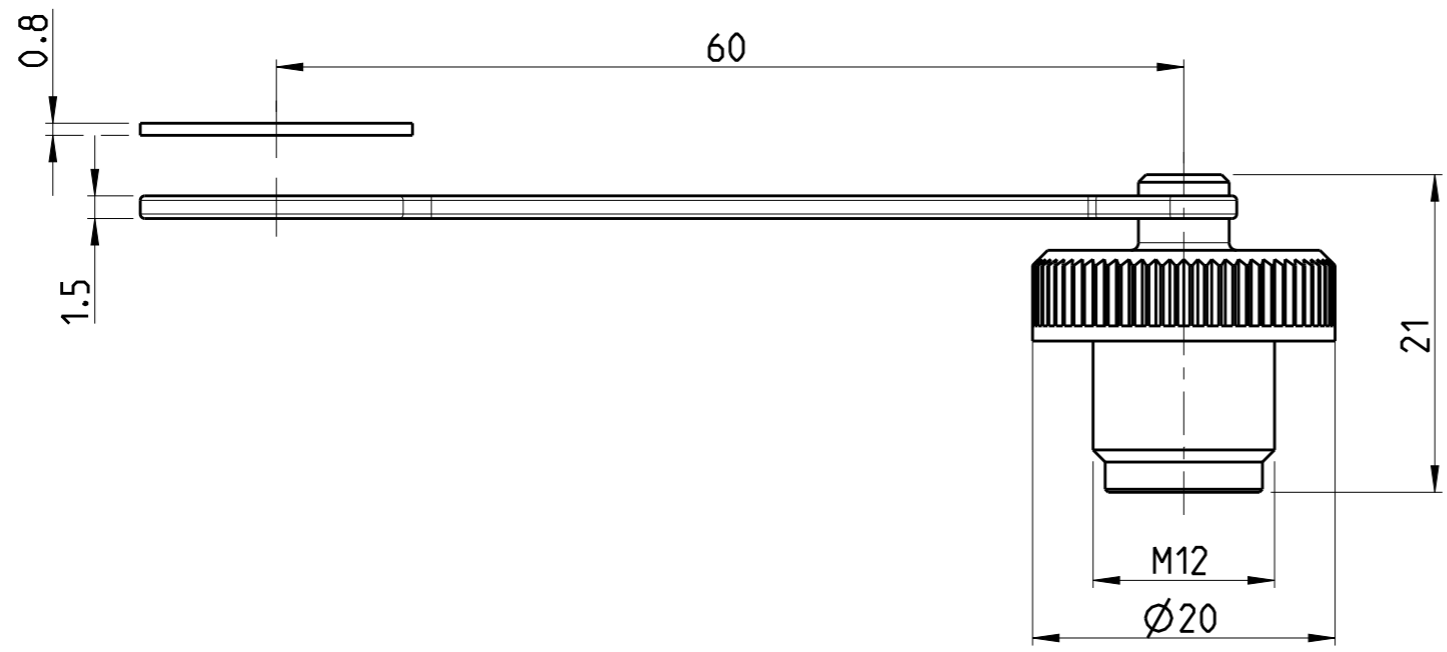


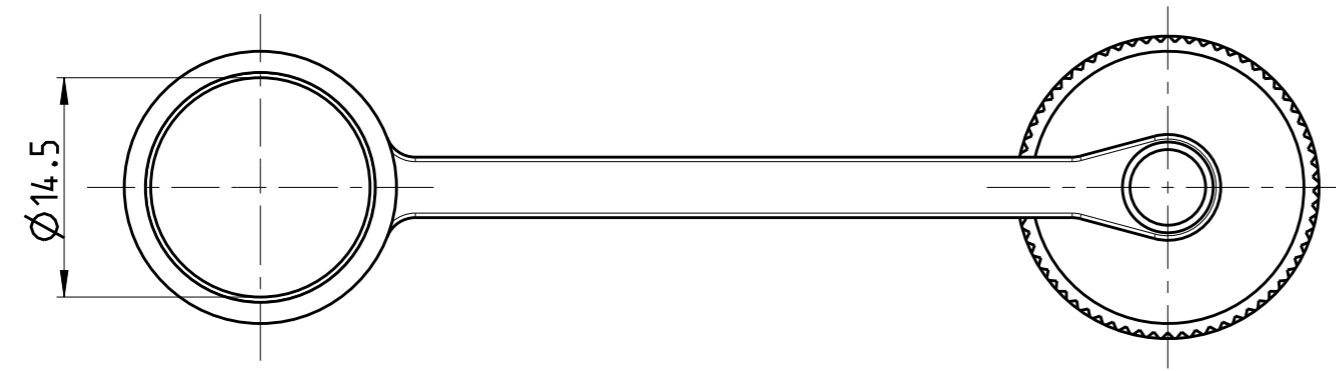
THIS DRAWING IS UNPUBLISHED. RELEASED FOR PUBLICATION 20
 © COPYRIGHT 20 BY - ALL RIGHTS RESERVED.

REVISIONS					
P	LTR	DESCRIPTION	DATE	DWN	APVD
	A	NEW RELEASE	19NOV2014	TJ	PS



2823065-1 AS SHOWN

- NOTES:
 1. QUALIFIES PROTECTION: IP 67
 2. ALL DIMENSIONS FOR REFERENCE ONLY UNLESS OTHERWISE TOLERANCES SPECIFIED.



PA 66	WASHER	3
PUR	SLEEVE	2
PA 66	PROTECTIVE CAP	1
MATERIAL	DESCRIPTION	ITEM NO

THIS DRAWING IS A CONTROLLED DOCUMENT.		DWN CHIRASHREE 17OCT2014														
DIMENSIONS: mm		CHK MOHAMMED THAJUDEEN 17OCT2014														
TOLERANCES UNLESS OTHERWISE SPECIFIED:		APVD PRASHANTH S 17OCT2014	NAME M12 PROTECTION CAP FOR FEMALE SOCKET, IP 67, FRONT FASTENED													
<table border="1"> <tr><td>0 PLC</td><td>±</td></tr> <tr><td>1 PLC</td><td>±</td></tr> <tr><td>2 PLC</td><td>±</td></tr> <tr><td>3 PLC</td><td>±</td></tr> <tr><td>4 PLC</td><td>±</td></tr> <tr><td>ANGLES</td><td>±</td></tr> </table>		0 PLC	±	1 PLC	±	2 PLC	±	3 PLC	±	4 PLC	±	ANGLES	±	PRODUCT SPEC -	SIZE A3	
0 PLC	±															
1 PLC	±															
2 PLC	±															
3 PLC	±															
4 PLC	±															
ANGLES	±															
MATERIAL NA		APPLICATION SPEC -	CAGE CODE -	DRAWING NO C-2823065												
FINISH -		WEIGHT -	RESTRICTED TO -													
		Customer Drawing	SCALE 2:1	SHEET 1 OF 1												
			REV A													