

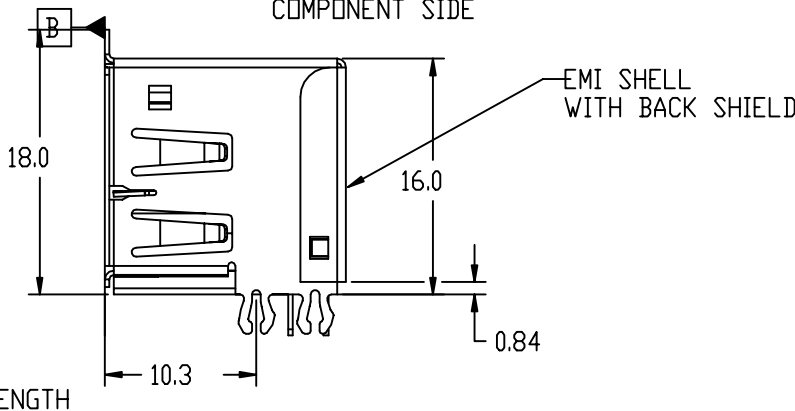
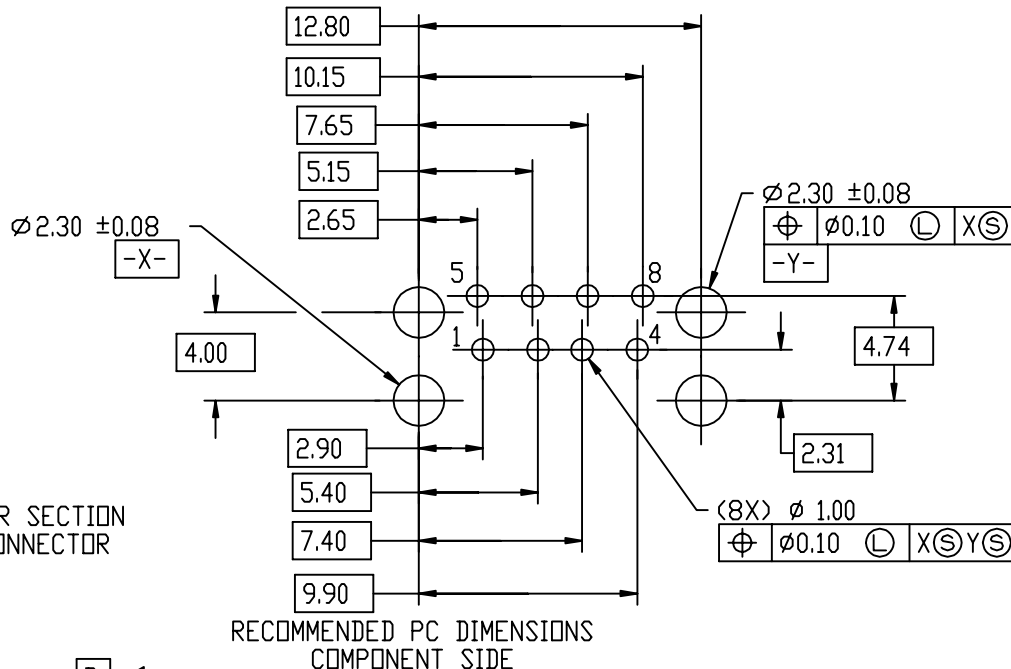
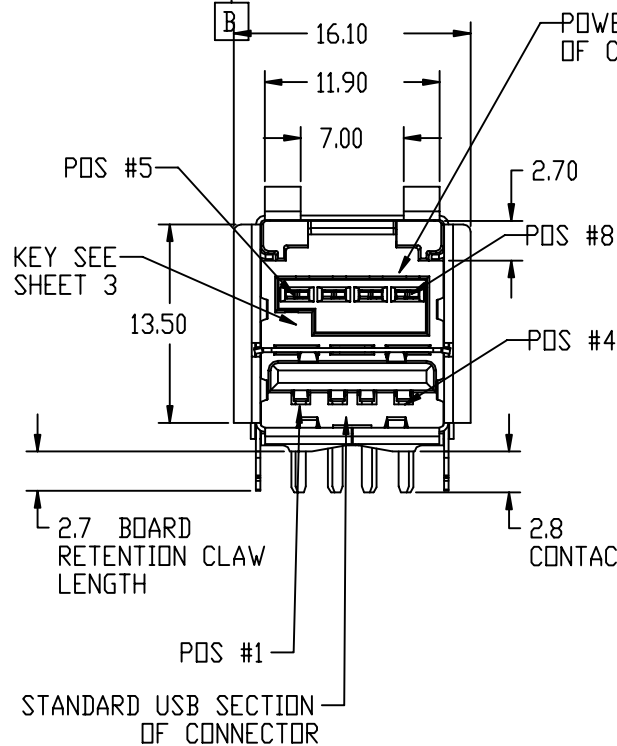
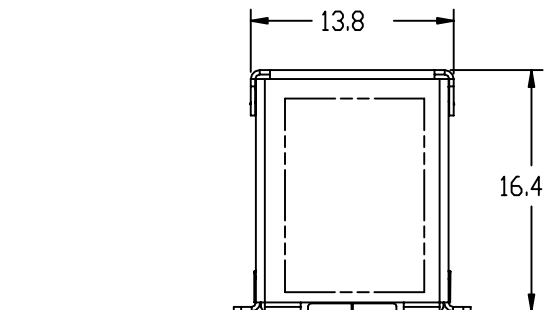
Tous droits strictement réservés. Reproduction ou communication a des tiers interdite sous quelque forme que ce soit sans autorisation écrite du propriétaire de c FCI. Droits de reproduction FCI.



All rights strictly reserved. Reproduction or issue to third parties in any form whatever is not permitted without written authority from the proprietor. Property of FCI. Copyright FCI.

PRODUCT NUMBER  
SEE TABLE

SEE SHEET 3 FOR KEYING OPTIONS



mat'l code		-		tolerances unless otherwise specified		CUSTOMER		FCI		www.fciconnect.com	
lir	ecn no.	dr	date	linear	0.X ± 0.3	COPY		projection		title	
F	N04-0098	PH	11/09/04		0.XX ± 0.20	MM		A		USB+POWER RECEPTACLE ASSEMBLY	
G	V04-1160	PH	12/07/04		.XXX ±0.100	scale		3:1		product family	
H	N08-0091	Bobby S	5/13/08	angles	0° ±2°	A		A		USB	
J	N08-0122	Bobby S	6/10/08	dr	R.RINEHART 9/22/00	code		213		size	
				enrg	R.MACMULLIN 9/22/00	sheet		55917		1 of 4	
				chr	R.MACMULLIN 9/22/00	sheet					
				appd	R.MACMULLIN 9/22/00	sheet					
sheet	revision					cage code		22526		4	
index	sheet										

Pro/E

PDM: Rev:J

STATUS: Released

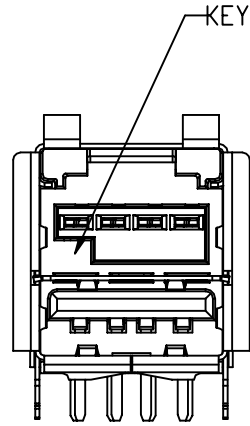
Printed: Jul 28, 2010

Tous droits strictement réservés. Reproduction ou communication a des tiers interdite sous quelque forme que ce soit sans autorisation écrite du propriétaire de c FCI. Droits de reproduction FCI.

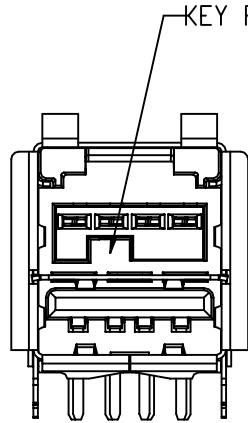


All rights strictly reserved. Reproduction or issue to third parties in any form whatever is not permitted without written authority from the proprietor. Property of FCI. Copyright FCI.

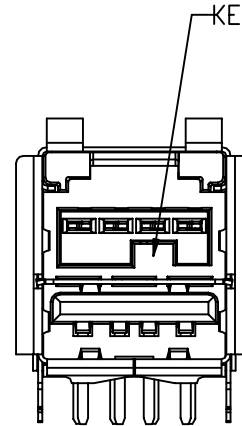
PRODUCT NUMBER  
SEE TABLE



55917-10X  
KEY POSITION 1



55917-20X  
KEY POSITION 2



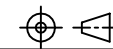
55917-30X  
KEY POSITION 3

ABOVE ASSEMBLIES ARE SHOWN ONLY FOR KEY INFORMATION, FOR ASSEMBLY INFORMATION AND DIMENSIONS SEE PREVIOUS SHEETS

nat'l code				-		tolerances unless otherwise specified		CUSTOMER		FCI	
lir	ecm no.	dr	date	linear	0.X ± 0.3	CDPY		www.fciconnect.com			
J				angles	0.XX ± 0.20	projection		title		USB+POWER RECEPTACLE ASSEMBLY	
				dr	.XXX ± 0.100	MM		product family		USB code	
				engr	0° ± 2°	scale		size		213	
				chr	R.RINEHART 9/22/00	3:1		A		55917	
				appd	R.MACMULLIN 9/22/00					sheet	
sheet		revision								2	
index		sheet									



www.fciconnect.com



MM

scale 3:1

product family USB code

size 55917 sheet 213

A

1 | 2

3

4

A

B

A

B

1 | 2

Pro/E

3

cage code 22526

4

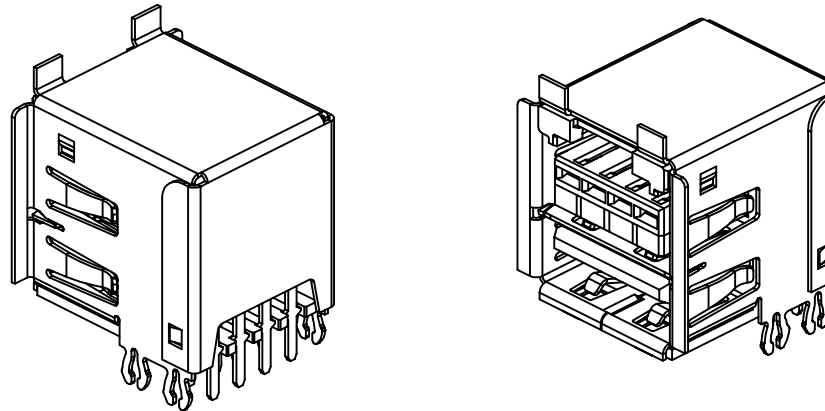
PDM: Rev:J

STATUS Released

Printed: Jul 28, 2010

NOTES:

1. MATERIAL:  
HOUSINGS: HIGH TEMP ENGINEERING PLASTIC UL 94V-0  
SHIELDS: HIGH STRENGTH COPPER ALLOY, PLATING: TIN/LEAD OR TIN OVER NICKEL  
TERMINALS: HIGH STRENGTH COPPER ALLOY, PLATING: NICKEL UNDERPLATING  
CONTACT AREA; 30 GXT MIN  
TAIL AREA; TIN/LEAD OR MATTE TIN
2. DIMENSIONS AND TOLERANCES ARE IN ACCORDANCE WITH) ASME Y14.5M, 1994.
3. USB SECTION CONFORMS TO USB 2.0 SPECIFICATION.
4. MATING SEQUENCE WHEN MATED WITH USB+POWER PLUG  
PRODUCT NUMBER 74233-XXX
5. CURRENT RATING IS 1.5 AMP PER CONTACT FOR THE STANDARD USB SECTION AND 3 OR 5 AMPS PER CONTACT FOR THE POWER SECTION WITH ALL CONTACTS POWER (SEE PART NUMBER TABLE), SEE GS-12-130 FOR PRODUCT TEST AND PERFORMANCE INFORMATION.
6. P/N'S WITH SUFFIX "LF" ARE LEAD FREE P/N'S
7. FOR LEAD FREE P/N, THE PRODUCT MEET EUROPEAN UNION DIRECTIVES AND OTHER COUNTRY REGULATION AS DESCRIBED IN GS-22-008
8. THE HOUSING WILL WITHSTAND EXPOSURE TO 260°C PEAK TEMPERATURE FOR 40 SECONDS IN A CONVECTION, INFRARED OR VAPOR PHASE REFLOW OVEN.
9. THIS PRODUCT IS MADE UNDER LICENSE OF IBM U.S. PATENT NO. 6334793



Tous droits strictement réservés. Reproduction ou communication a des tiers interdite sans quelque forme que ce soit sans autorisation écrite du propriétaire de c FCI. Droits de reproduction FCI.



All rights strictly reserved. Reproduction or issue to third parties in any form whatever is not permitted without written authority from the proprietor. Property of FCI. Copyright FCI.

CONTACT NUMBER	PRODUCT DASH NUMBER 55917-			MATING SEQ.
	-10X/50XLF	-20X/60XLF	-30X/70XLF	
1	VCC	VCC	VCC	2
2	- DATA	- DATA	- DATA	3
3	+ DATA	+ DATA	+ DATA	3
4	GROUND	GROUND	GROUND	2
5	12V GROUND	24V GROUND	5V GROUND	2
6	12V	24V	5V	3
7	12V	24V	5V	3
8	12V GROUND	24V GROUND	5V GROUND	2
SHELL	SHIELD	SHIELD	SHIELD	1

mat'l code				-		tolerances unless otherwise specified		CUSTOMER		FCI	
lir	ecm no.	dr	date	linear	0.X ± 0.3	COPY		www.fciconnect.com			
J					0.XX ± 0.20	projection		title		USB+POWER RECEPTACLE ASSEMBLY	
					.XXX ± 0.100	MM		product family		USB code	
				angles	0° ± 2°	scale		size		213	
				dr	R.RINEHART 9/22/00	1:1		A		55917	
				engr	R.MACMULLIN 9/22/00					sheet	
				chr	R.MACMULLIN 9/22/00					3	
				appd	R.MACMULLIN 9/22/00						
sheet	revision										
index	sheet										

Tous droits strictement réservés. Reproduction ou communication à des tiers interdite sous quelque forme que ce soit sans autorisation écrite du propriétaire de c FCI. Droits de reproduction FCI.



All rights strictly reserved. Reproduction or issue to third parties in any form whatever is not permitted without written authority from the proprietor. Property of FCI. Copyright FCI.

PRODUCT NUMBER	DESCRIPTION	VOLTAGE	HOUSING COLOR	CURRENT RATING	REMARK
55917-100	RECPT. ASS'Y. KEY POSITION 1	12V	BLACK	3 AMPS	NON LEAD FREE PART,NOT AVAILABLE
55917-500LF	RECPT. ASS'Y. KEY POSITION 1	12V	BLACK	3 AMPS	LEAD FREE PART, SUBSTITUTE OF 55917-100
55917-800LF	RECPT. ASS'Y. KEY POSITION 1	12V	BLACK	5 AMPS	LEAD FREE PART, SUBSTITUTE OF 55917-500LF
55917-101	RECPT. ASS'Y. KEY POSITION 1	12V	TEAL	3 AMPS	NON LEAD FREE PART,NOT AVAILABLE
55917-501LF	RECPT. ASS'Y. KEY POSITION 1	12V	TEAL	3 AMPS	LEAD FREE PART, SUBSTITUTE OF 55917-101
55917-801LF	RECPT. ASS'Y. KEY POSITION 1	12V	TEAL	5 AMPS	LEAD FREE PART, SUBSTITUTE OF 55917-501LF
55917-200	RECPT. ASS'Y. KEY POSITION 2	24V	BLACK	3 AMPS	NON LEAD FREE PART,NOT AVAILABLE
55917-600LF	RECPT. ASS'Y. KEY POSITION 2	24V	BLACK	3 AMPS	LEAD FREE PART, SUBSTITUTE OF 55917-200
55917-000LF	RECPT. ASS'Y. KEY POSITION 2	24V	BLACK	5 AMPS	LEAD FREE PART, SUBSTITUTE OF 55917-600LF
55917-201	RECPT. ASS'Y. KEY POSITION 2	24V	RED	3 AMPS	NON LEAD FREE PART,NOT AVAILABLE
55917-601LF	RECPT. ASS'Y. KEY POSITION 2	24V	RED	3 AMPS	LEAD FREE PART, SUBSTITUTE OF 55917-201
55917-001LF	RECPT. ASS'Y. KEY POSITION 2	24V	RED	5 AMPS	LEAD FREE PART, SUBSTITUTE OF 55917-601LF
55917-300	RECPT. ASS'Y. KEY POSITION 3	5V	NATURAL	3 AMPS	NON LEAD FREE PART,NOT AVAILABLE
55917-700LF	RECPT. ASS'Y. KEY POSITION 3	5V	NATURAL	3 AMPS	LEAD FREE PART, SUBSTITUTE OF 55917-300
55917-900LF	RECPT. ASS'Y. KEY POSITION 3	5V	NATURAL	5 AMPS	LEAD FREE PART, SUBSTITUTE OF 55917-700LF

nat'l code		-		tolerances unless otherwise specified		CUSTOMER		FCI		www.fciconnect.com	
lir	ecn no.	dr	date	linear	0.X ± 0.3	COPY		projection		title	
J					0.XX ± 0.20	MM				USB+POWER RECEPTACLE ASSEMBLY	
				angles	.XXX ±0.100	scale		product family		code	
				dr	0° ±2°	1:1		USB		213	
				engr	R.RINEHART 9/22/00			size		sheet	
				chr	R.MACMULLIN 9/22/00			55917		4	
				appd	R.MACMULLIN 9/22/00			A			
sheet	revision										
index	sheet										

cage code 22526

Pro/E

PDM: Rev:J

STATUS: Released

Printed: Jul 28, 2010