



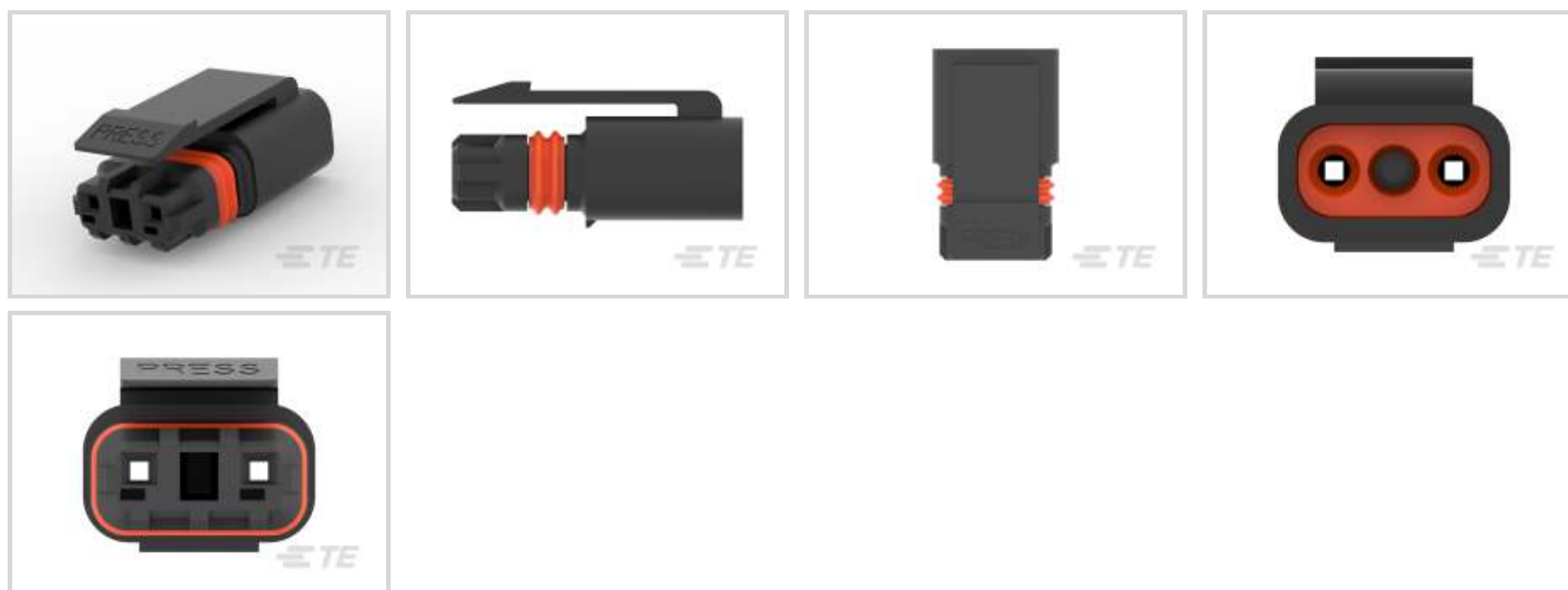
SlimSeal | SlimSeal Miniature Connectors

TE Internal #: 2-2834074-2

Ballast Connectors, Connector, Crimp, Wire-to-Wire, 2 Position, 2.5 mm Centerline, Sealable, Wire & Cable, SlimSeal Miniature Connectors

[View on TE.com >](#)

Connectors > Lighting Connectors > Ballast Connectors > SlimSeal Miniature Plugs



Lighting Product Type: **Connector**

Termination Method to Wire & Cable: **Crimp**

Connector System: **Wire-to-Wire**

Number of Positions: **2**

Centerline (Pitch): **2.5 mm**

[All SlimSeal Miniature Plugs \(6\)](#)

Features

Product Type Features

Lighting Product Type	Connector
Connector System	Wire-to-Wire
Sealable	Yes
Connector & Contact Terminates To	Wire & Cable

Configuration Features

Number of Rows	1
Number of Positions	2

Electrical Characteristics

Operating Voltage (Max)	400 VAC
-------------------------	---------

Contact Features

Contact Current Rating (Max)	5 A
------------------------------	-----

Termination Features



Termination Method to Wire & Cable	Crimp
------------------------------------	-------

Mechanical Attachment

Mating Alignment	With
------------------	------

Housing Features

Centerline (Pitch)	2.5 mm
--------------------	--------

Dimensions

Wire Size	18 – 22 AWG
-----------	-------------

Usage Conditions

Operating Temperature Range	-40 – 105 °C[-40 – 221 °F]
-----------------------------	----------------------------

Industry Standards

Approved Standards	UL 1977
UL Flammability Rating	UL 94V-0

Product Compliance

[For compliance documentation, visit the product page on TE.com>](#)

EU RoHS Directive 2011/65/EU	Compliant
EU ELV Directive 2000/53/EC	Compliant
China RoHS 2 Directive MIIT Order No 32, 2016	No Restricted Materials Above Threshold
EU REACH Regulation (EC) No. 1907/2006	Current ECHA Candidate List: JUNE 2023 (235) Candidate List Declared Against: JAN 2023 (233) Does not contain REACH SVHC
Halogen Content	Low Halogen - Br, Cl, F, I < 900 ppm per homogenous material. Also BFR/CFR/PVC Free
Solder Process Capability	Not applicable for solder process capability

Product Compliance Disclaimer

This information is provided based on reasonable inquiry of our suppliers and represents our current actual knowledge based on the information they provided. This information is subject to change. The part numbers that TE has identified as EU RoHS compliant have a maximum concentration of 0.1% by weight in homogenous materials for lead, hexavalent chromium, mercury, PBB, PBDE, DBP, BBP, DEHP, DIBP, and 0.01% for cadmium, or qualify for an exemption to these limits as defined in the Annexes of Directive 2011/65/EU (RoHS2). Finished electrical and electronic equipment products will be CE marked as required by Directive 2011/65/EU. Components may not be CE marked. Additionally, the part numbers that TE has identified as EU ELV compliant have a maximum concentration of 0.1% by weight in homogenous materials for lead, hexavalent chromium, and mercury, and 0.01% for cadmium, or qualify for an exemption to these limits as defined in the Annexes of Directive 2000/53/EC (ELV). Regarding the REACH Regulation, the information TE provides on SVHC in articles for this part number is based on the latest European Chemicals Agency (ECHA) 'Guidance on requirements for substances in articles' posted at this URL: <https://echa.europa.eu/guidance-documents/guidance-on-reach>

Compatible Parts



TE Part # 2-2834075-2
2P REC, MINIATURE WATERPROOF CONN.BLACK



TE Part # 1-2834067-2
SOCKET CONTACT, MINIATURE WATERPROOF CONN



TE Part # 1-2834067-3
SOCKET CONTACT, MINIATURE WATERPROOF CONN

Also in the Series | SlimSeal Miniature Connectors



Ballast Connectors(40)

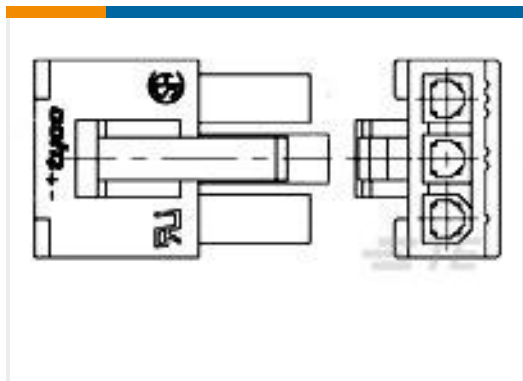
Customers Also Bought



TE Part #2-2834074-3
SlimSeal Miniature Plugs



TE Part #2-2834075-2
SlimSeal Miniature Receptacles



TE Part #1586027-5
5P SR RCPT VAL-U-LOK V0



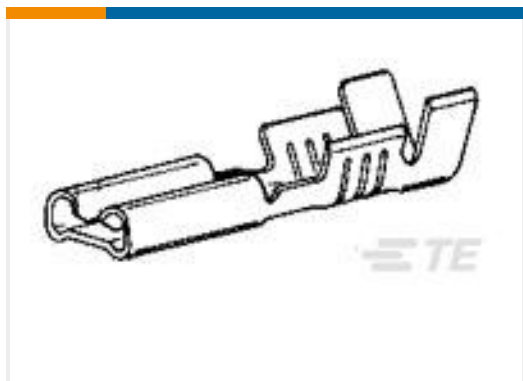
TE Part #1-2834067-2
SOCKET CONTACT, MINIATURE WATERPROOF CONN



TE Part #1-2834068-2
PIN CONTACT, MINIATURE WATERPROOF CONN



TE Part #2-2834067-2
SOCKET CONTACT, MINIATURE WATERPROOF CONN



TE Part #160666-5
110 FASTON, REC., 26-22 AWG, TPBR

Documents

Product Drawings

2P PLUG, MINIATURE WATERPROOF CONN, BLACK

English



CAD Files

3D PDF

3D

Customer View Model

[ENG_CVM_CVM_2-2834074-2_B.2d_dxf.zip](#)

English

Customer View Model

[ENG_CVM_CVM_2-2834074-2_B.3d_igs.zip](#)

English

Customer View Model

[ENG_CVM_CVM_2-2834074-2_B.3d_stp.zip](#)

English

By downloading the CAD file I accept and agree to the [Terms and Conditions](#) of use.

Datasheets & Catalog Pages

SlimSeal Connector Miniature Series

English

SlimSeal Connector Miniature Series

SlimSeal MiniSeal connector flyer (Chinese)

Product Specifications

Application Specification

English

Instruction Sheets

Instruction Sheet (non U.S.)

English

Agency Approvals

UL Report

English