



MADE IN THE USA
PATENTED

Product Description:

- Face Mask Dispenser - Universal Boxed - Shield
- Holds one box face shields
- Keyholes for wall mounting
- Quartz Beige ABS Plastic

Primary Area for Product Usage:

- Anywhere face masks are needed

Dispenses:

- Box(es) no larger than 9.50"W x 8.50"H x 4.50"D (24.1 cm x 21.6 cm x 11.4 cm)
- Box(es) no smaller than 7.25"W x 8.00"H x 3.00"D (18.4 cm x 20.3 cm x 7.6 cm)

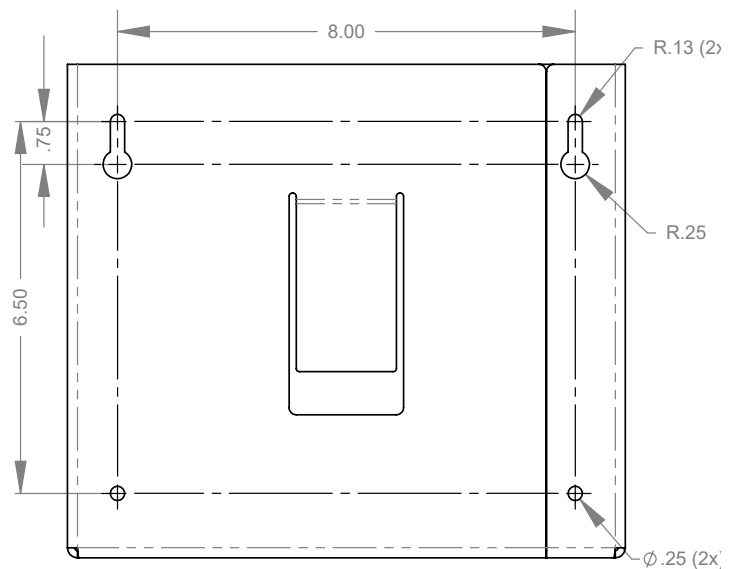
Package Specifications:

- Package Quantity: 6 per case
- 18"L x 16"W x 10"H (45.7 cm x 40.6 cm x 25.4 cm)
- 9.0 lbs (4.1 kg) - approximated

Product Specifications (overall external dimensions):

- 9.75"W x 8.63"H x 4.75"D (24.8 cm x 21.9 cm x 12.1 cm)
- 1.0 lbs (0.5 kg) - approximated

Mounting Specifications:



Related Products (each sold separately):

- FM100-0212: Face Mask Dispenser - Universal - Earloop/Tie (shown below)
- FM300-0212: Face Mask Dispenser - Universal - Cone

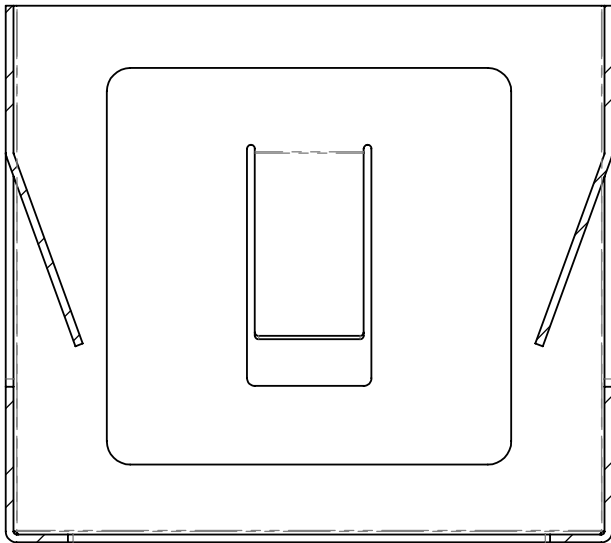




Installation

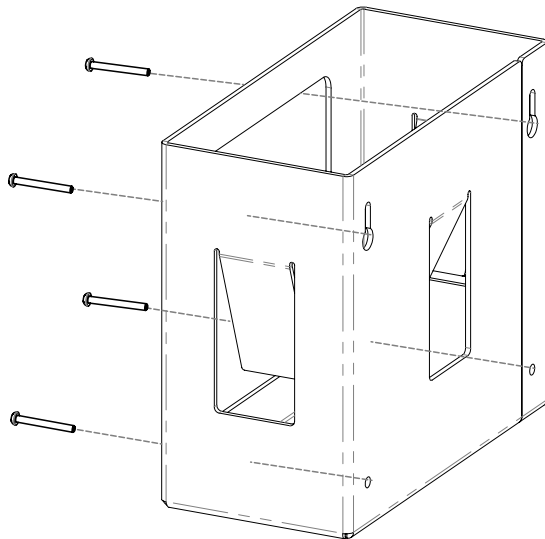
Always mount dispensers securely *prior* to loading with product.

- Side and back flexible tabs hold boxes securely even as supply diminishes.



1

- Mount securely to a wall with screws approved and supplied by building maintenance.



2

Parts included:

- Dispenser

Tools Required:

- No tools required to assemble dispenser

Care and Construction

ABS Plastic

Material Characteristics

Designed for Long-Term, Heavy-Duty Applications

The combination of copolymers (Acrylonitrile, Butadiene, and Styrene) gives ABS an excellent combination of strength, rigidity, and toughness. The fauxwood finish is ARVINYL laminate created from a semi-rigid film.

ABS is chemical and stress-crack resistant. It is tough, dimensionally stable, and will hold up to long-term use. To ensure product longevity, fauxwood products should not be mounted in very hot or cold areas.

Care and Cleaning

Use mild soap and water to clean. Petroleum-based oils, solvents, and paints should not be used.

Standard hospital cleaning supplies are approved for use on our ABS plastic products.