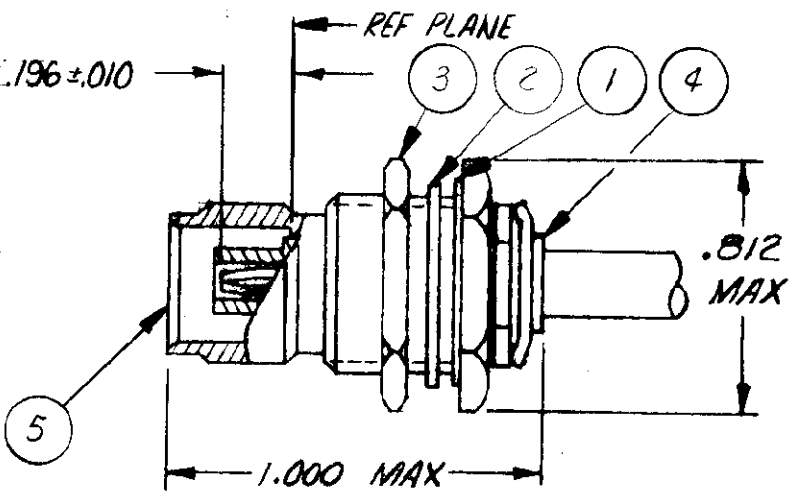
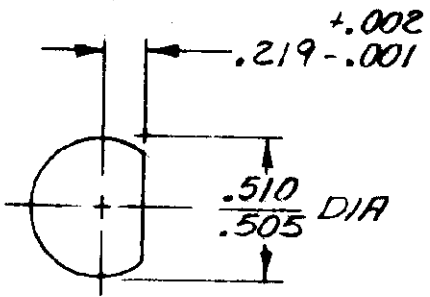


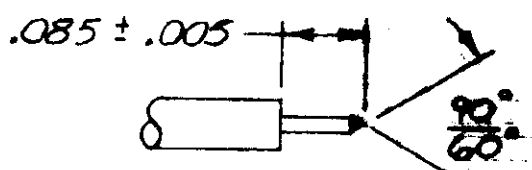
REVISIONS					
P	F	LTR	DESCRIPTION	DATE	BY
1		B	REVISED PER FC 0220-0213-94	11/28/54	11/28/54



1. FOR USE WITH RG-402/U  
.141 SEMI-RIGID CABLE
2. .250 MAX PANEL THK
3. USE INSTRUCTION SHEET 670



SUGGESTED PANEL CUTOUT



RECOMMENDED STRIP LENGTH

ITEM	QTY	DESCRIPTION	PART NO
5	1	JACK ASSY	228503-1
4	1	ADAPTOR ASSY	228946-1
3	1	JAM NUT	1-329631-2
2	1	LOCKWASHER	1-329632-2
1	1	GASKET	329633

THIS DRAWING IS UNPUBLISHED. RELEASED FOR PUBLICATION  
 BY AMP INCORPORATED, HARRISBURG, PA. ALL INTERNATIONAL RIGHTS  
 RESERVED. AMP PRODUCTS MAY BE COVERED BY U.S. AND FOREIGN PATENTS AND/OR PENDING APPLIC.

UNLESS OTHERWISE SPECIFIED, DIMENSIONS ARE IN INCHES.  
 TOLERANCES ON DIMENSIONS:  
 FRACTIONS DECIMALS  
 ±.005 ±.005 ±.005

MATERIAL \_\_\_\_\_  
 FINISH \_\_\_\_\_

CONTRACT NO \_\_\_\_\_  
 DR *T. Smith* 9/20/52  
 DES *R. L. Vanturel* 8-26-52  
 APPD *R. H. ...*  
 APPD *T. Smith* 8/2/52  
 DSGN APPD \_\_\_\_\_  
 OTHER APPD \_\_\_\_\_

**AMP** | AMP INCORPORATED  
 Harrisburg, Pa. 17105

NAME *CONNECTOR, COAXIAL, RF JACK, REAR MOUNTED, SERIES TNC*

SIZE <b>A</b>	FSCM NO <b>00779</b>	DRAWING NO <b>228502-1</b>
SCALE <i>NTS</i>	SHEET _____	