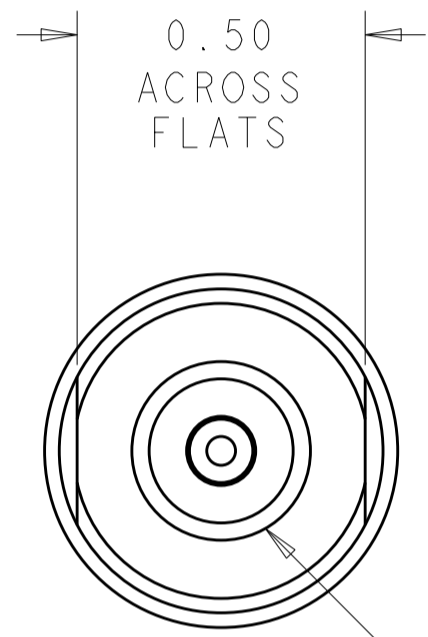


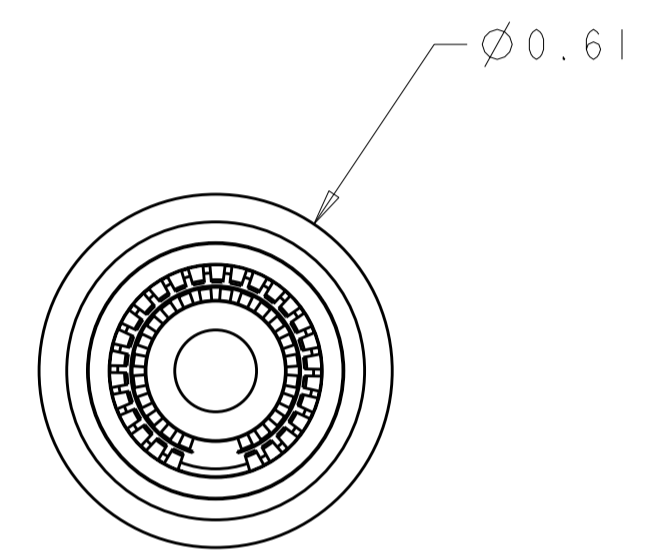
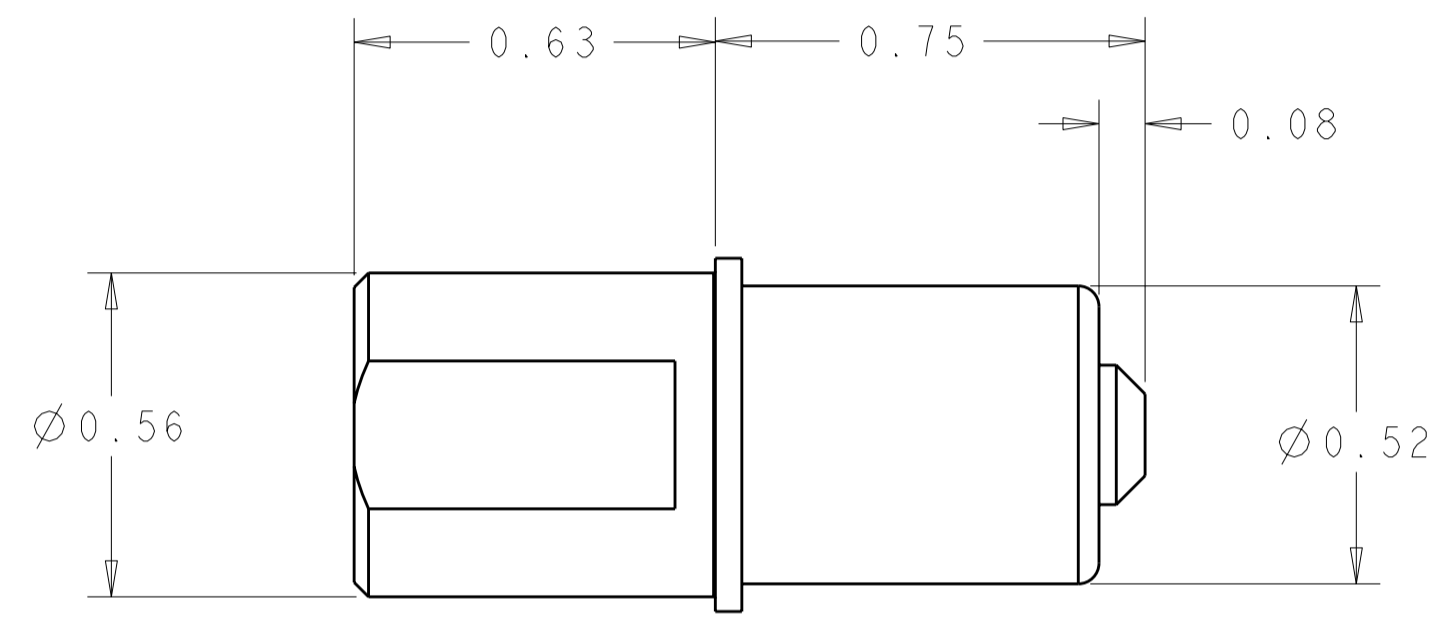
THIS DRAWING IS UNPUBLISHED. RELEASED FOR PUBLICATION 20  
 © COPYRIGHT 20 BY TYCO ELECTRONICS CORPORATION. ALL RIGHTS RESERVED.

LOC		DIST		REVISIONS			
P	LTR	DESCRIPTION	DATE	DWN	APVD		
	A	NEW RELEASE	20OCT2008	CR	DO		



0.50  
ACROSS  
FLATS

1/4 - 20 UNC-2B  
INT THD



Ø 0.61

- PART NUMBER CHANGES AND/OR DESIGN CHANGES AFFECTING INTERCHANGEABILITY REQUIRE PRIOR TYCO ELECTRONICS APPROVAL AND AUTHORIZATION BY REVISION TO THIS DRAWING
- ITEMS PROVIDED TO THIS SPECIFICATION TO BE PERMANENTLY IDENTIFIED PER THE FOLLOWING IDENTIFIER LABEL

TYCO ELECTRONICS P/N      DATE CODE (e.g. 0106)

XXXXXXXX-X      YEAR WEEK  
 XXXX

3 MATERIALS:  
 CONTACT: COPPER ALLOY  
 CROWN BANDS: COPPER ALLOY

4 FINISHES:  
 CONTACT: SILVER PLATE: .000200/.000300 THK OVER  
 ELECTROLESS NICKEL PLATE: .000040 MIN THK  
 CROWN BANDS: GOLD: .000040 MIN THK OVER  
 NICKEL: .000040 THK

AS SHOWN	6648419-1
DESCRIPTION	PART NO.

<small>THIS DRAWING IS A CONTROLLED DOCUMENT FOR TYCO ELECTRONICS CORPORATION. IT IS SUBJECT TO CHANGE AND THE CONTROLLING ENGINEERING ORGANIZATION SHOULD BE CONTACTED FOR THE LATEST REVISION.</small>		DWN C. ROHLER 200CT2008	Tyco Electronics Harrisburg, PA 17105-3608	
DIMENSIONS: INCHES		CHK D. ORRIS 200CT2008	NAME CONTACT, SOCKET, SIZE #0 DOUBLE CROWN, FEMALE THD STYLE DRAWERS	
TOLERANCES UNLESS OTHERWISE SPECIFIED: 0 PLC ± 1 PLC ±.01 2 PLC ±.005 3 PLC ±.005 4 PLC ±.005 ANGLES ±.5 FINISH		APVD M. PERCHERKE 200CT2008	RESTRICTED TO	
MATERIAL	3	PRODUCT SPEC	SIZE	CAGE CODE
		APPLICATION SPEC	A200779	C=6648419
		WEIGHT	SCALE	SHEET
		CUSTOMER DRAWING	3:1	OF 1
				REV A