

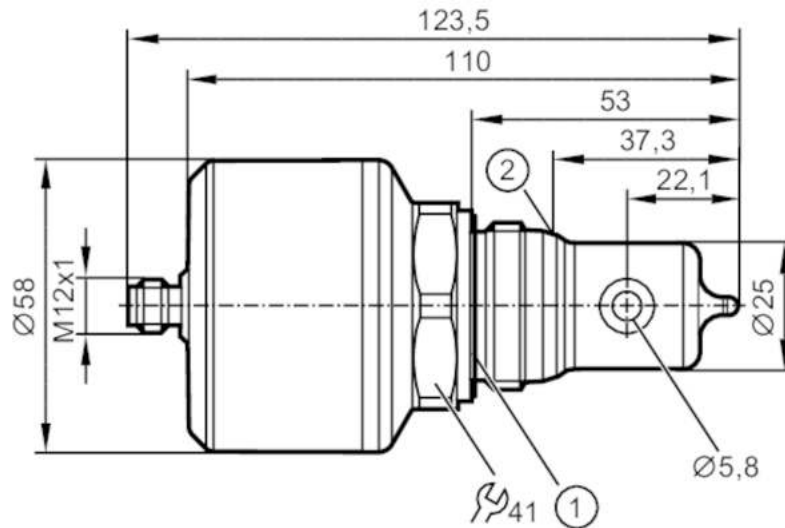
# LDL200



## Inductive conductivity sensor

IND CONDUCTIVITY HYG ASF-V

Digital meets analogue: integrating modern IO-Link sensors the analogue way. The EIO104 allows you to realise two analogue signals from intelligent IO-Link sensors with several process values.



- 1 Sealing
- 2 sealing edge



EC 1935/2004 EHEDG Certified FCM FDA IO-Link UK CA

### Product characteristics

Number of inputs and outputs	Number of analogue outputs: 1
Process connection	G 1 external thread Aseptoflex Vario

### Application

Special feature	Gold-plated contacts
Media	conductive liquids
Note on media	water
	milk
	CIP liquids
Cannot be used for	See the operating instructions, chapter "Function and features".
Medium temperature [°C]	-25...100; (< 1 h: 150)
Pressure rating [bar]	16
Vacuum resistance [mbar]	-1000

### Electrical data

Operating voltage [V]	18...30 DC
Current consumption [mA]	< 100
Protection class	III
Reverse polarity protection	yes
Power-on delay time [s]	2
Measuring principle	induktiv

### Inputs / outputs

Number of inputs and outputs	Number of analogue outputs: 1
------------------------------	-------------------------------

# LDL200



## Inductive conductivity sensor

IND CONDUCTIVITY HYG ASF-V

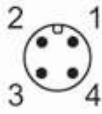
Outputs		
Total number of outputs	1	
Output signal	analogue signal; IO-Link	
Output function	analogue output; scalable; selectable conductivity / temperature	
Number of analogue outputs	1	
Analogue current output [mA]	4...20	
Max. load [ $\Omega$ ]	500	
Measuring/setting range		
Conductivity measurement		
Measuring range [ $\mu\text{S}/\text{cm}$ ]	100...1000000	
Temperature measurement		
Measuring range [ $^{\circ}\text{C}$ ]	-25...150	
Accuracy / deviations		
Conductivity measurement		
Accuracy (in the measuring range)	2 % MW $\pm$ 25 $\mu\text{S}/\text{cm}$	
Resolution [ $\mu\text{S}/\text{cm}$ ]	1 (0...10000)	
	10 (10000...100000)	
	100 (100000...1000000)	
Drift [%/K]	0,1 %/K MW $\pm$ 25 $\mu\text{S}/\text{cm}$	
Repeatability	1 % MW $\pm$ 25 $\mu\text{S}/\text{cm}$	
Long-term stability	0,5 % MW $\pm$ 25 $\mu\text{S}/\text{cm}$	
Temperature measurement		
Accuracy [K]	20...50 $^{\circ}\text{C}$ : $< \pm 0,2$ K; -25...150 $^{\circ}\text{C}$ : $< \pm 1,5$ K	
Repeatability [K]	0,2	
Resolution [K]	0.1	
Response times		
Conductivity measurement		
Response time [s]	$< 2$ ; (T09; Damping = 0)	
Temperature measurement		
Response time [s]	$< 40$ ; (T09)	
Interfaces		
Communication interface	IO-Link	
Transmission type	COM2 (38,4 kBaud)	
IO-Link revision	1.1	
SDCI standard	IEC 61131-9	
Profiles	Measuring Sensor, Identification and Diagnosis	
SIO mode	no	
Required master port type	A	
Process data analogue	1	
Min. process cycle time [ms]	5.6	
Supported DeviceIDs	Type of operation	DeviceID
	Default	922

# LDL200



## Inductive conductivity sensor

IND CONDUCTIVITY HYG ASF-V

Operating conditions		
Ambient temperature	[°C]	-40...60
Storage temperature	[°C]	-40...85
Protection		IP 68; IP 69K; (7 days / 3 m water depth / 0.3 bar: IP 68)
Tests / approvals		
EMC	DIN EN 61000-6-2	
	DIN EN 61000-6-3	
Shock resistance	DIN EN 60068-2-27	50 g (11 ms)
Vibration resistance	DIN EN 60068-2-6	20 g (10...2000 Hz)
MTTF	[years]	129
Mechanical data		
Weight	[g]	692.6
Materials		stainless steel (1.4404 / 316L); PEEK; PEI; FKM
Materials (wetted parts)		PEEK
Process connection		G 1 external thread Aseptoflex Vario
Remarks		
Remarks		MW = measured value
Notes		Digital meets analogue: integrating modern IO-Link sensors the analogue way. The EIO104 allows you to realise two analogue signals from intelligent IO-Link sensors with several process values.
Pack quantity		1 pcs.
Electrical connection		
Connector: 1 x M12 (EN 61067-2-101); coding: A; Contacts: gold-plated		
		

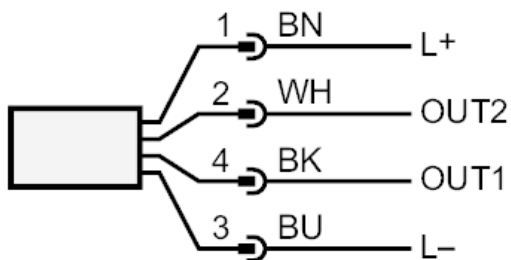
# LDL200



## Inductive conductivity sensor

IND CONDUCTIVITY HYG ASF-V

### Connection



OUT1  
OUT2

IO-Link  
analogue output  
colours to DIN EN 60947-5-2  
Core colours :

BK = black  
BN = brown  
BU = blue  
WH = white