

## MAX15062

# 60V, 300mA, Ultra-Small, High-Efficiency, Synchronous Step-Down DC-DC Converters

### General Description

The MAX15062 high-efficiency, high-voltage, synchronous step-down DC-DC converter with integrated MOSFETs operates over a 4.5V to 60V input voltage range. The converter delivers output current up to 300mA at 3.3V (MAX15062A), 5V (MAX15062B), and adjustable output voltages (MAX15062C). The device operates over the -40°C to +125°C temperature range and is available in a compact 8-pin (2mm x 2mm) TDFN package. Simulation models are available.

The device employs a peak-current-mode control architecture with a MODE pin that can be used to operate the device in pulse-width modulation (PWM) or pulse-frequency modulation (PFM) control schemes. PWM operation provides constant frequency operation at all loads and is useful in applications sensitive to variable switching frequency. PFM operation disables negative inductor current and additionally skips pulses at light loads for high efficiency. The low-resistance on-chip MOSFETs ensure high efficiency at full load and simplify the PCB layout.

To reduce input inrush current, the device offers an internal soft-start. The device also incorporates an EN/UVLO pin that allows the user to turn on the part at the desired input-voltage level. An open-drain RESET pin can be used for output-voltage monitoring.

### Applications

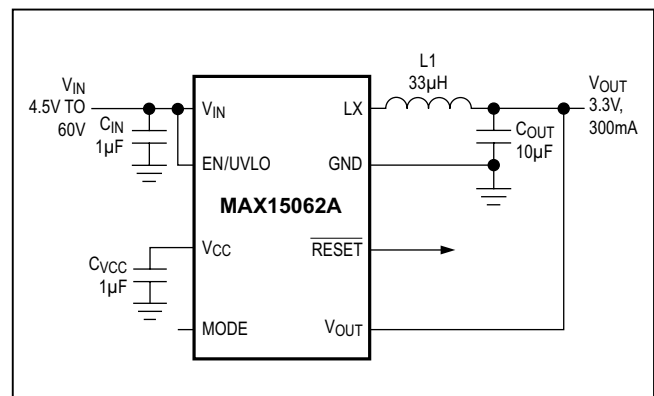
- Process Control
- Industrial Sensors
- 4–20mA Current Loops
- HVAC and Building Control
- High-Voltage LDO Replacement
- General-Purpose Point-of-Load

**Ordering Information** appears at end of data sheet.

### Benefits and Features

- Eliminates External Components and Reduces Total Cost
  - No Schottky—Synchronous Operation for High Efficiency and Reduced Cost
  - Internal Compensation
  - Internal Feedback Divider for Fixed 3.3V, 5V Output Voltages
  - Internal Soft-Start
  - All-Ceramic Capacitors, Ultra-Compact Layout
- Reduces Number of DC-DC Regulators to Stock
  - Wide 4.5V to 60V Input Voltage Range
  - Fixed 3.3V and 5V Output Voltage Options
  - Adjustable 0.9V to 0.89 x V<sub>IN</sub> Output Voltage Option
  - Delivers Up to 300mA Load Current
  - Configurable Between PFM and Forced-PWM Modes
- Reduces Power Dissipation
  - Peak Efficiency = 92%
  - PFM Feature for High Light-Load Efficiency
  - Shutdown Current = 2.2μA (typ)
- Operates Reliably in Adverse Industrial Environments
  - Hiccup-Mode Current Limit and Autoretry Startup
  - Built-In Output Voltage Monitoring with Open-Drain RESET Pin
  - Programmable EN/UVLO Threshold
  - Monotonic Startup into Prebiased Output
  - Overtemperature Protection
  - High Industrial -40°C to +125°C Ambient Operating Temperature Range/-40°C to +150°C Junction Temperature Range

### Typical Operating Circuit



**Absolute Maximum Ratings**

|   |                                 |   |
|---|---------------------------------|---|
| V <sub>IN</sub> to GND.....                               | -0.3V to 70V                    | Continuous Power Dissipation (T <sub>A</sub> = +70°C) |
| EN/UVLO to GND.....                                       | -0.3V to 70V                    | 8-Pin TDFN (derate 6.2mW/NC above +70°C).....         |
| LX to GND.....  | -0.3V to V <sub>IN</sub> + 0.3V | 496mW   |
| V <sub>CC</sub> , FB/V <sub>OUT</sub> , RESET to GND..... | -0.3V to 6V                     | Junction Temperature.....                             |
| MODE to GND.....  | -0.3V to V <sub>CC</sub> + 0.3V | +150°C  |
| LX total RMS Current.....                                 | ±800mA                          | Storage Temperature Range.....                        |
| Output Short-Circuit Duration.....                        | Continuous                      | -65°C to +150°C                                       |
|   |                                 | Soldering Temperature (reflow).....                   |
|   |                                 | +260°C  |
|   |                                 | Lead Temperature (soldering, 10s).....                |
|   |                                 | +300°C  |

Stresses beyond those listed under "Absolute Maximum Ratings" may cause permanent damage to the device. These are stress ratings only, and functional operation of the device at these or any other conditions beyond those indicated in the operational sections of the specifications is not implied. Exposure to absolute maximum rating conditions for extended periods may affect device reliability. Junction temperature greater than +125°C degrades operating lifetimes.

**Package Thermal Characteristics(Note 1)**

TDFN

|  |          |
|--|----------|
| Junction-to-Ambient Thermal Resistance (θ <sub>JA</sub> )..... | +162°C/W |
| Junction-to-Case Thermal Resistance (θ <sub>JC</sub> ).....    | +20°C/W  |

**Note 1:** Package thermal resistances were obtained using the method described in JEDEC specification JESD51-7, using a four-layer board. For detailed information on package thermal considerations, refer to [www.maximintegrated.com/thermal-tutorial](http://www.maximintegrated.com/thermal-tutorial).

**Electrical Characteristics**

(V<sub>IN</sub> = 24V, V<sub>GND</sub> = 0V, C<sub>IN</sub> = C<sub>VCC</sub> = 1µF, V<sub>EN/UVLO</sub> = 1.5V, LX = MODE = RESET = unconnected; T<sub>A</sub> = -40°C to +125°C, unless otherwise noted. Typical values are at T<sub>A</sub> = +25°C. All voltages are referenced to GND, unless otherwise noted.) (Note 2)

| PARAMETER                            | SYMBOL                 | CONDITIONS  | MIN  | TYP   | MAX  | UNITS |
|--------------------------------------|------------------------|---|------|-------|------|-------|
| <b>INPUT SUPPLY (V<sub>IN</sub>)</b> |                        |   |      |       |      |       |
| Input Voltage Range                  | V <sub>IN</sub>        |   | 4.5  |       | 60   | V     |
| Input Shutdown Current               | I <sub>IN-SH</sub>     | V <sub>EN/UVLO</sub> = 0V, shutdown mode                                    |      | 2.2   | 4    | µA    |
| Input Supply Current                 | I <sub>Q-PFM</sub>     | MODE = unconnected,<br>FB/V <sub>OUT</sub> = 1.03 x FB/V <sub>OUT-REG</sub> |      | 95    | 160  | µA    |
|                                      | I <sub>Q-PWM</sub>     | Normal switching mode, V <sub>IN</sub> = 24V                                |      | 2.5   | 4    | mA    |
| <b>ENABLE/UVLO (EN/UVLO)</b>         |                        |   |      |       |      |       |
| EN/UVLO Threshold                    | V <sub>ENR</sub>       | V <sub>EN/UVLO</sub> rising   | 1.19 | 1.215 | 1.24 | V     |
|                                      | V <sub>ENF</sub>       | V <sub>EN/UVLO</sub> falling  | 1.06 | 1.09  | 1.15 |       |
|                                      | V <sub>EN-TRUESD</sub> | V <sub>EN/UVLO</sub> falling, true shutdown                                 |      | 0.75  |      |       |
| EN/UVLO Input Leakage Current        | I <sub>EN/UVLO</sub>   | V <sub>EN/UVLO</sub> = 60V, T <sub>A</sub> = +25°C                          | -100 |       | +100 | nA    |
| <b>LDO (V<sub>CC</sub>)</b>          |                        |   |      |       |      |       |
| V <sub>CC</sub> Output Voltage Range | V <sub>CC</sub>        | 6V < V <sub>IN</sub> < 60V, 0mA < I <sub>VCC</sub> < 10mA                   | 4.75 | 5     | 5.25 | V     |
| V <sub>CC</sub> Current Limit        | I <sub>VCC-MAX</sub>   | V <sub>CC</sub> = 4.3V, V <sub>IN</sub> = 12V                               | 13   | 30    | 50   | mA    |
| V <sub>CC</sub> Dropout              | V <sub>CC-DO</sub>     | V <sub>IN</sub> = 4.5V, I <sub>VCC</sub> = 5mA                              |      | 0.15  | 0.3  | V     |
| V <sub>CC</sub> UVLO                 | V <sub>CC-UVR</sub>    | V <sub>CC</sub> rising  | 4.05 | 4.18  | 4.3  | V     |
|                                      | V <sub>CC-UVF</sub>    | V <sub>CC</sub> falling   | 3.7  | 3.8   | 3.95 |       |

**Electrical Characteristics (continued)**

( $V_{IN} = 24V$ ,  $V_{GND} = 0V$ ,  $C_{IN} = C_{VCC} = 1\mu F$ ,  $V_{EN/UVLO} = 1.5V$ ,  $LX = MODE = \overline{RESET} = \text{unconnected}$ ;  $T_A = -40^\circ C$  to  $+125^\circ C$ , unless otherwise noted. Typical values are at  $T_A = +25^\circ C$ . All voltages are referenced to GND, unless otherwise noted.) (Note 2)

| PARAMETER   | SYMBOL              | CONDITIONS  | MIN                        | TYP   | MAX   | UNITS    |
|---|---------------------|---|----------------------------|-------|-------|----------|
| <b>POWER MOSFETS</b>                                  |                     |   |                            |       |       |          |
| High-Side pMOS On-Resistance                          | $R_{DS-ONH}$        | $I_{LX} = 0.3A$<br>(sourcing)   | $T_A = +25^\circ C$        | 1.35  | 1.75  | $\Omega$ |
|   |                     |   | $T_A = T_J = +125^\circ C$ | 2.7   |       |          |
| Low-Side nMOS On-Resistance                           | $R_{DS-ONL}$        | $I_{LX} = 0.3A$<br>(sinking)  | $T_A = +25^\circ C$        | 0.45  | 0.55  | $\Omega$ |
|   |                     |   | $T_A = T_J = +125^\circ C$ | 0.9   |       |          |
| LX Leakage Current                                    | $I_{LX-LKG}$        | $V_{EN/UVLO} = 0V$ , $V_{IN} = 60V$ , $T_A = +25^\circ C$ ,<br>$V_{LX} = (V_{GND} + 1V)$ to $(V_{IN} - 1V)$ | -1                         |       | +1    | $\mu A$  |
| <b>SOFT-START (SS)</b>                                |                     |   |                            |       |       |          |
| Soft-Start Time                                       | $t_{SS}$            |   | 3.8                        | 4.1   | 4.4   | ms       |
| <b>FEEDBACK (FB)</b>                                  |                     |   |                            |       |       |          |
| FB Regulation Voltage                                 | $V_{FB-REG}$        | MODE = GND, MAX15062C   | 0.887                      | 0.9   | 0.913 | V        |
|   |                     | MODE = unconnected, MAX15062C   | 0.887                      | 0.915 | 0.936 |          |
| FB Leakage Current                                    | $I_{FB}$            | MAX15062C   | -100                       | -25   |       | nA       |
| <b>OUTPUT VOLTAGE (<math>V_{OUT}</math>)</b>          |                     |   |                            |       |       |          |
| $V_{OUT}$ Regulation Voltage                          | $V_{OUT-REG}$       | MODE = GND, MAX15062A   | 3.25                       | 3.3   | 3.35  | V        |
|   |                     | MODE = unconnected, MAX15062A   | 3.25                       | 3.35  | 3.42  |          |
|   |                     | MODE = GND, MAX15062B   | 4.93                       | 5     | 5.07  |          |
|   |                     | MODE = unconnected, MAX15062B   | 4.93                       | 5.08  | 5.18  |          |
| <b>CURRENT LIMIT</b>                                  |                     |   |                            |       |       |          |
| Peak Current-Limit Threshold                          | $I_{PEAK-LIMIT}$    |   | 0.49                       | 0.56  | 0.62  | A        |
| Runaway Current-Limit Threshold                       | $I_{RUNAWAY-LIMIT}$ |   | 0.58                       | 0.66  | 0.73  | A        |
| Negative Current-Limit Threshold                      | $I_{SINK-LIMIT}$    | MODE = GND  | 0.25                       | 0.3   | 0.35  | A        |
|   |                     |   |                            | 0.01  |       | mA       |
| PFM Current Level                                     | $I_{PFM}$           |   |                            | 0.13  |       | A        |
| <b>TIMING</b>   |                     |   |                            |       |       |          |
| Switching Frequency                                   | $f_{SW}$            |   | 465                        | 500   | 535   | kHz      |
| Events to Hiccup After Crossing Runaway Current Limit |                     |   |                            | 1     |       | Cycles   |
| FB/ $V_{OUT}$ Undervoltage Trip Level to Cause Hiccup |                     |   | 62.5                       | 64.5  | 66.5  | %        |
| Hiccup Timeout  |                     |   |                            | 131   |       | ms       |
| Minimum On-Time                                       | $t_{ON-MIN}$        |   |                            | 90    | 130   | ns       |
| Maximum Duty Cycle                                    | $D_{MAX}$           | $FB/V_{OUT} = 0.98 \times FB/V_{OUT-REG}$   | 89                         | 91.5  | 94    | %        |

**Electrical Characteristics (continued)**

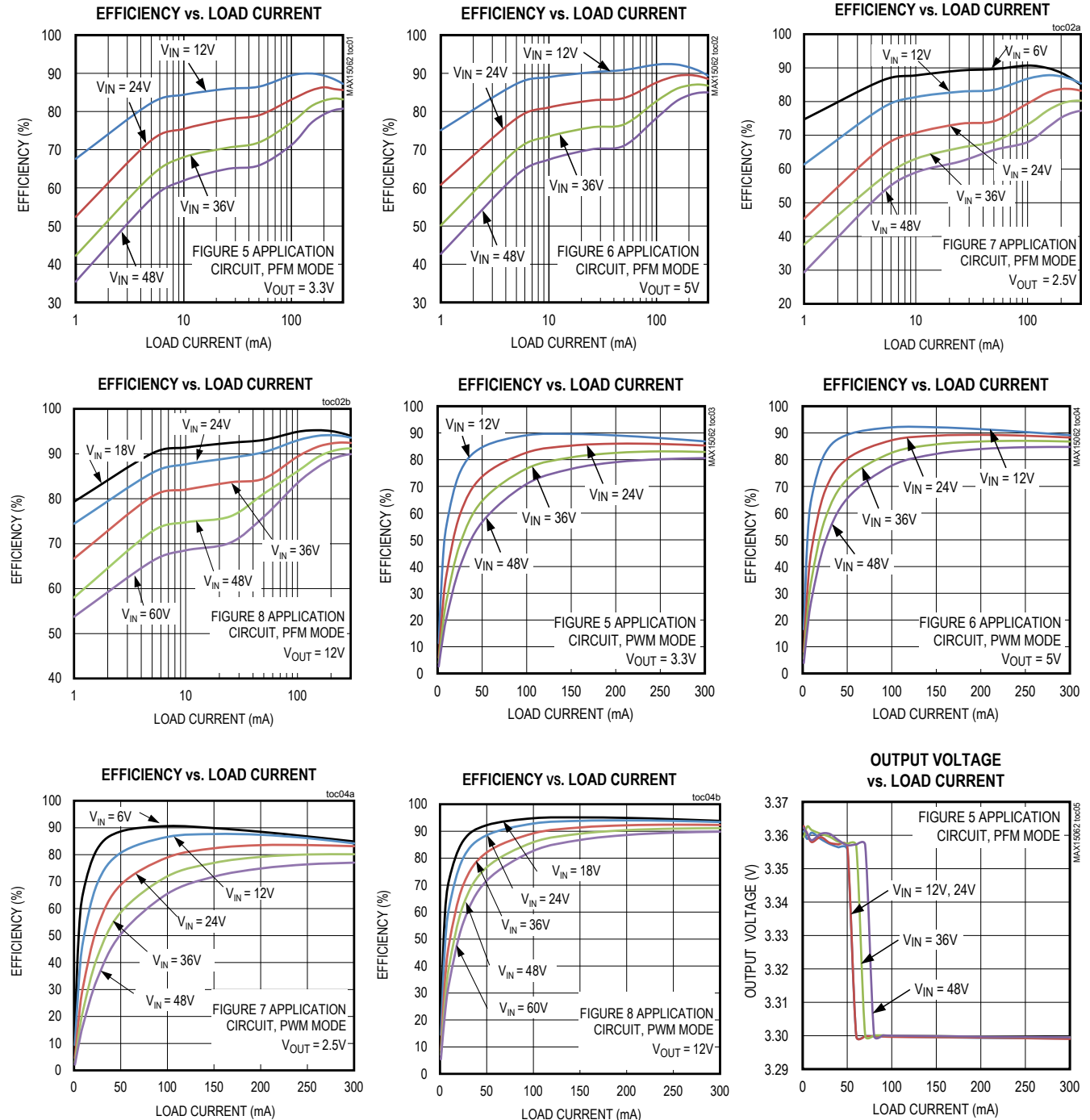
( $V_{IN} = 24V$ ,  $V_{GND} = 0V$ ,  $C_{IN} = C_{VCC} = 1\mu F$ ,  $V_{EN/UVLO} = 1.5V$ ,  $LX = MODE = \overline{RESET} =$  unconnected;  $T_A = -40^\circ C$  to  $+125^\circ C$ , unless otherwise noted. Typical values are at  $T_A = +25^\circ C$ . All voltages are referenced to GND, unless otherwise noted.) (Note 2)

| PARAMETER   | SYMBOL | CONDITIONS  | MIN  | TYP  | MAX  | UNITS      |
|---|--------|---|------|------|------|------------|
| LX Dead Time  |        |   |      | 5    |      | ns         |
| <b><math>\overline{RESET}</math></b>                                |        |   |      |      |      |            |
| FB/ $V_{OUT}$ Threshold for $\overline{RESET}$ Rising               |        | FB/ $V_{OUT}$ rising                                | 93.5 | 95.5 | 97.5 | %          |
| FB/ $V_{OUT}$ Threshold for $\overline{RESET}$ Falling              |        | FB/ $V_{OUT}$ falling                               | 90   | 92   | 94   | %          |
| $\overline{RESET}$ Delay After FB/ $V_{OUT}$ Reaches 95% Regulation |        |   |      | 2    |      | ms         |
| $\overline{RESET}$ Output Level Low                                 |        | $I_{\overline{RESET}} = 5mA$                        |      |      | 0.2  | V          |
| $\overline{RESET}$ Output Leakage Current                           |        | $V_{\overline{RESET}} = 5.5V$ , $T_A = +25^\circ C$ |      |      | 0.1  | $\mu A$    |
| <b>MODE</b>   |        |   |      |      |      |            |
| MODE Internal Pullup Resistor                                       |        |   |      | 500  |      | k $\Omega$ |
| <b>THERMAL SHUTDOWN</b>   |        |   |      |      |      |            |
| Thermal-Shutdown Threshold  |        | Temperature rising                                  |      | 166  |      | $^\circ C$ |
| Thermal-Shutdown Hysteresis   |        |   |      | 10   |      | $^\circ C$ |

**Note 2:** All the limits are 100% tested at  $T_A = +25^\circ C$ . Limits over temperature are guaranteed by design.

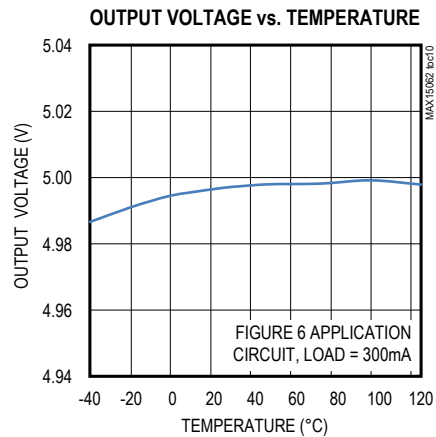
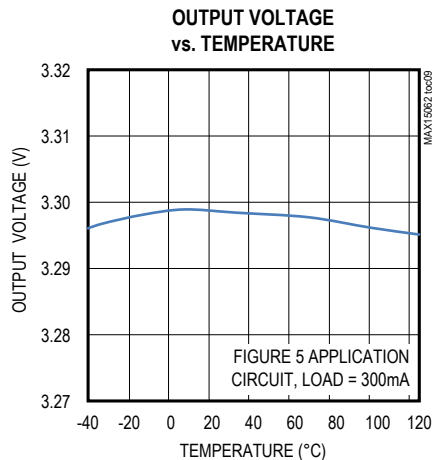
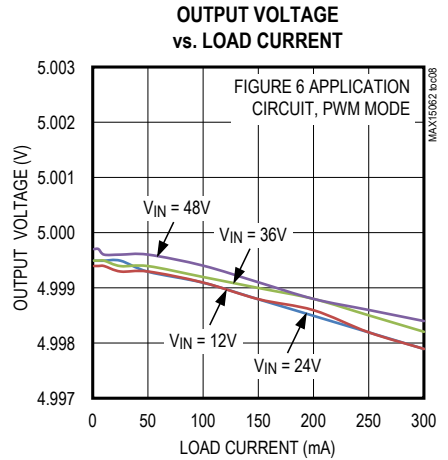
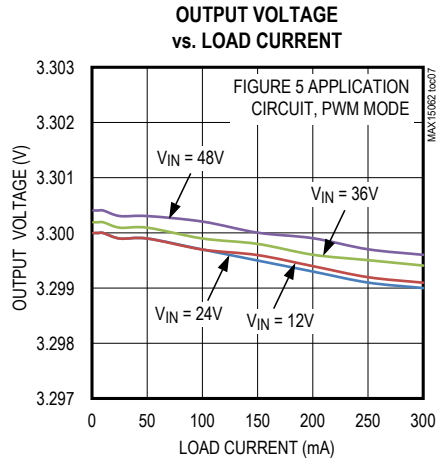
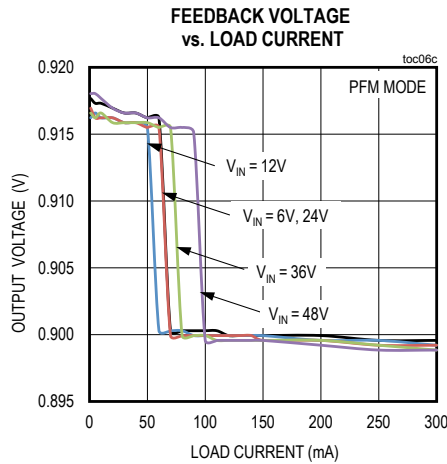
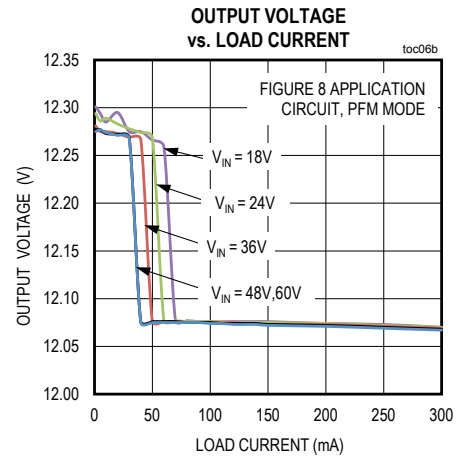
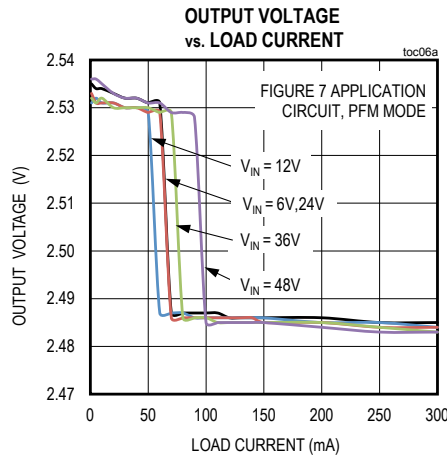
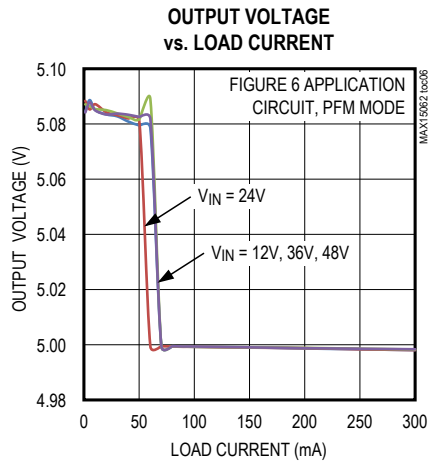
Typical Operating Characteristics

( $V_{IN} = 24V$ ,  $V_{GND} = 0V$ ,  $C_{IN} = C_{VCC} = 1\mu F$ ,  $V_{EN/UVLO} = 1.5V$ ,  $T_A = +25^\circ C$ , unless otherwise noted.)



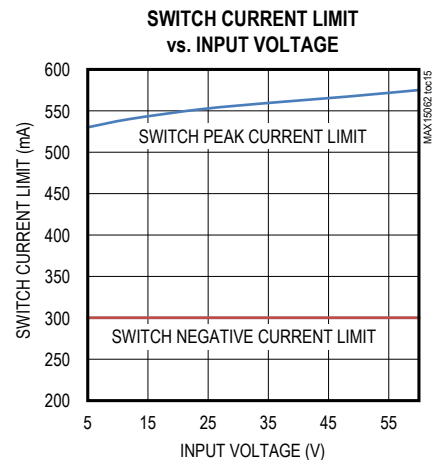
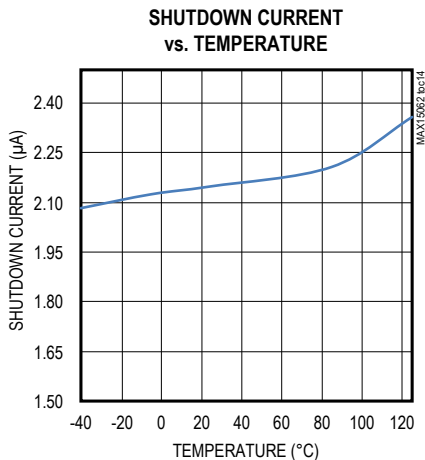
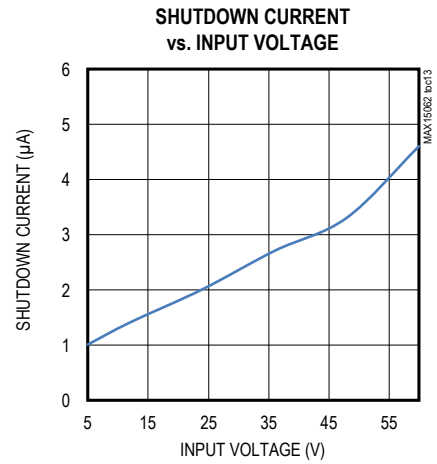
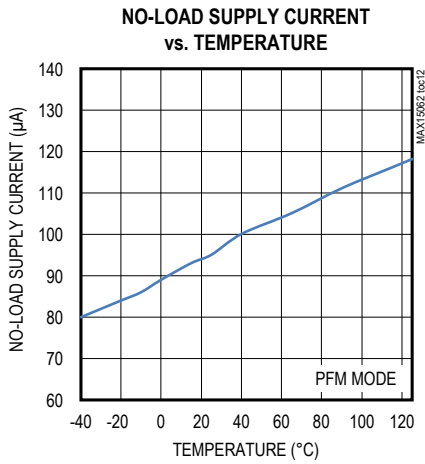
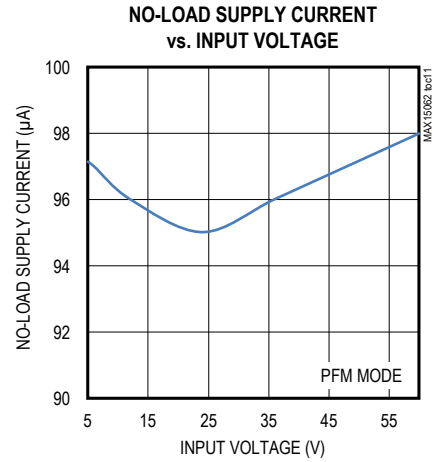
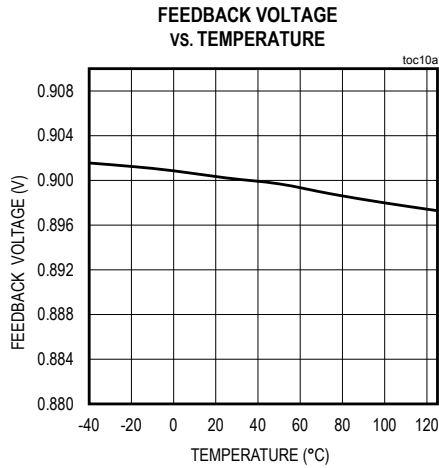
Typical Operating Characteristics (continued)

( $V_{IN} = 24V$ ,  $V_{GND} = 0V$ ,  $C_{IN} = C_{VCC} = 1\mu F$ ,  $V_{EN}/UVLO = 1.5V$ ,  $T_A = +25^\circ C$ , unless otherwise noted.)



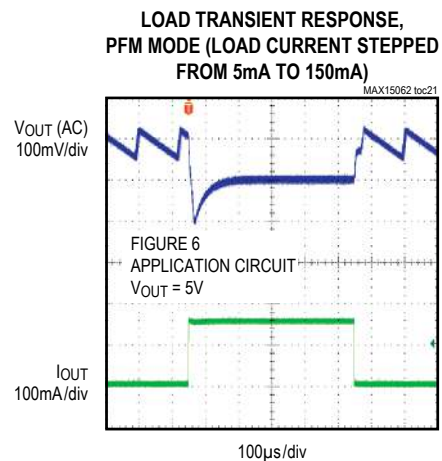
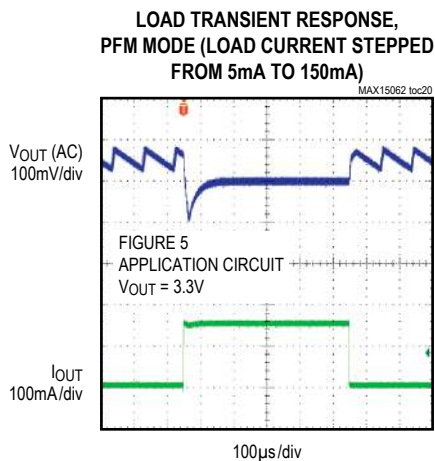
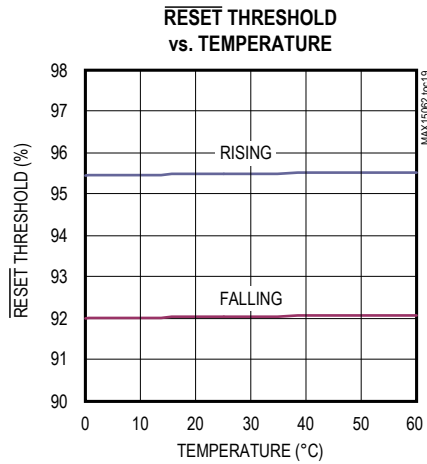
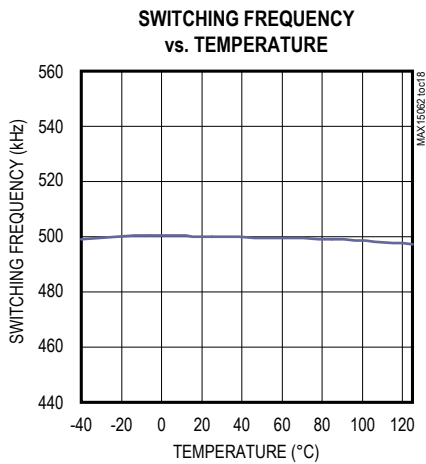
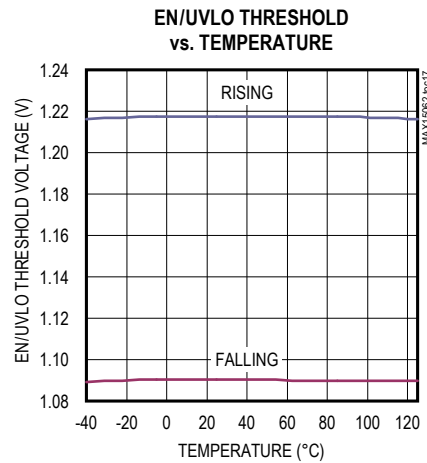
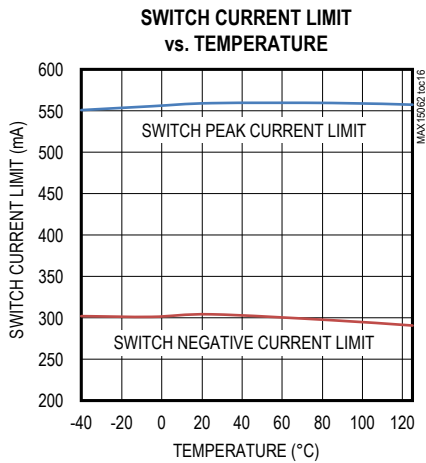
Typical Operating Characteristicsc (continued)

( $V_{IN} = 24V$ ,  $V_{GND} = 0V$ ,  $C_{IN} = C_{VCC} = 1\mu F$ ,  $V_{EN/UVLO} = 1.5V$ ,  $T_A = +25^\circ C$ , unless otherwise noted.)



Typical Operating Characteristics (continued)

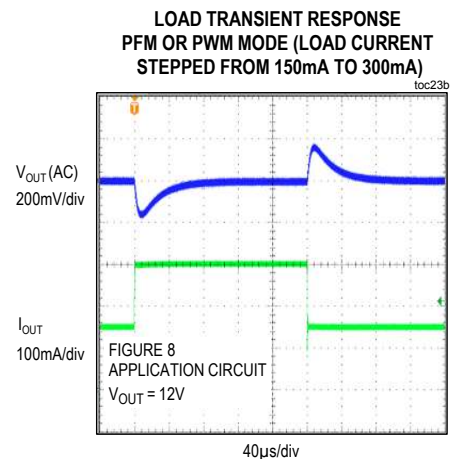
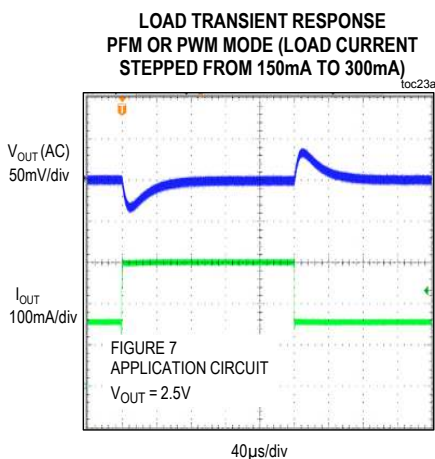
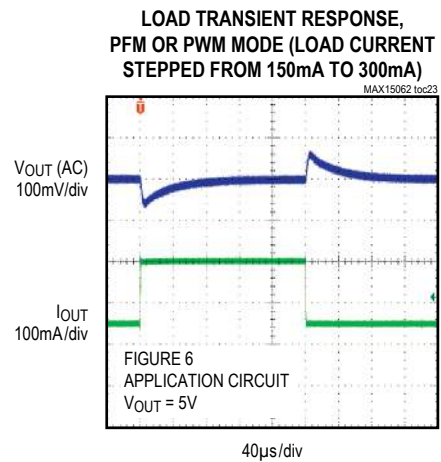
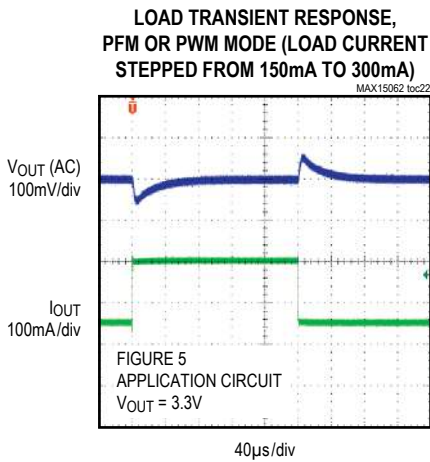
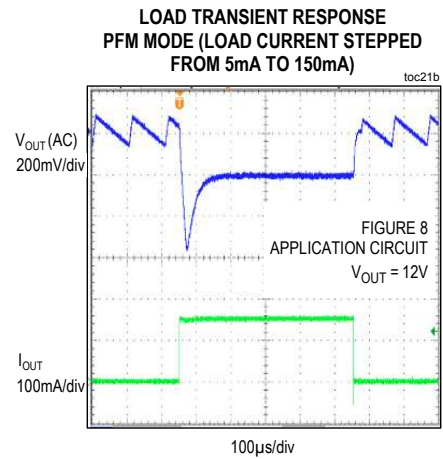
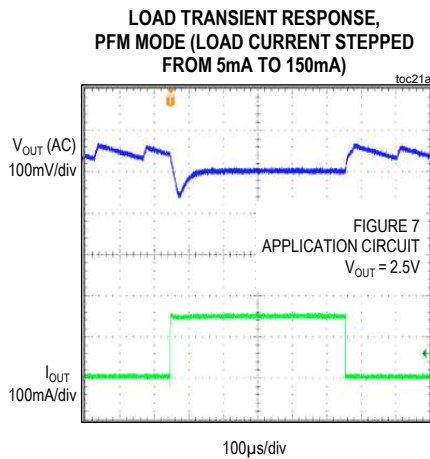
( $V_{IN} = 24V$ ,  $V_{GND} = 0V$ ,  $C_{IN} = C_{VCC} = 1\mu F$ ,  $V_{EN/UVLO} = 1.5V$ ,  $T_A = +25^\circ C$ , unless otherwise noted.)





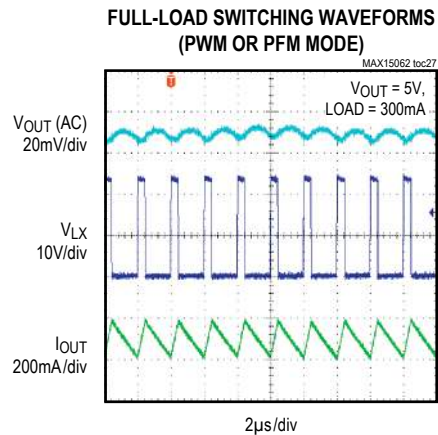
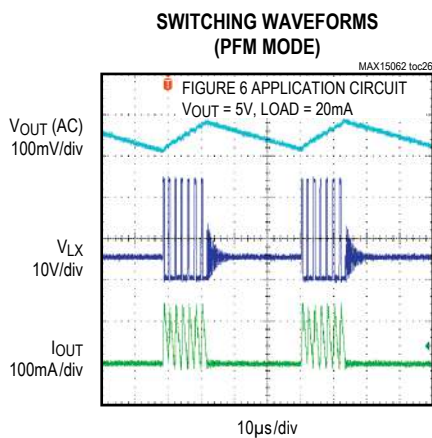
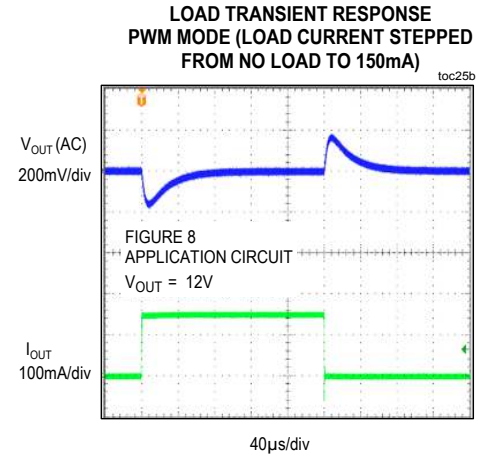
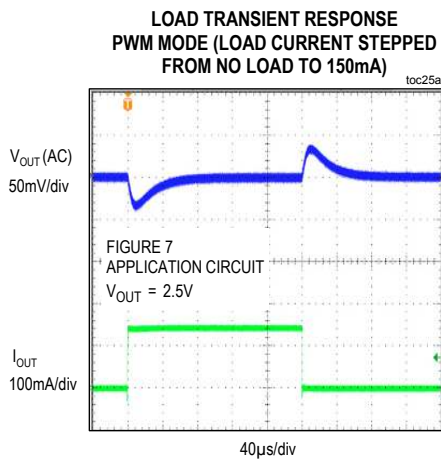
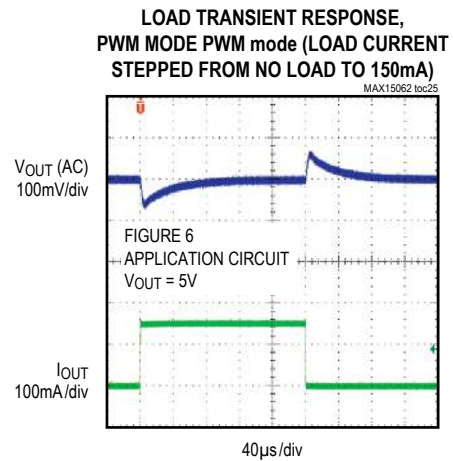
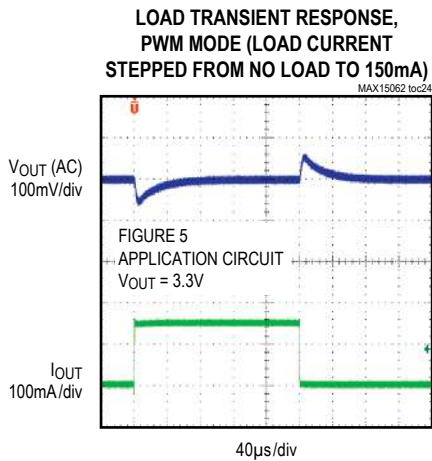
Typical Operating Characteristics (continued)

( $V_{IN} = 24V$ ,  $V_{GND} = 0V$ ,  $C_{IN} = C_{VCC} = 1\mu F$ ,  $V_{EN/UVLO} = 1.5V$ ,  $T_A = +25^\circ C$ , unless otherwise noted.)



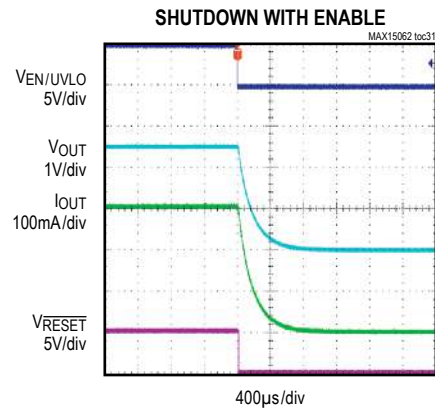
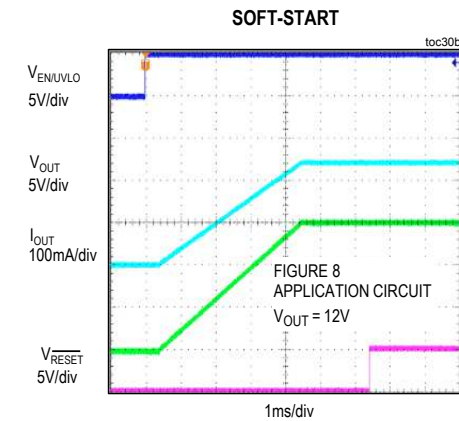
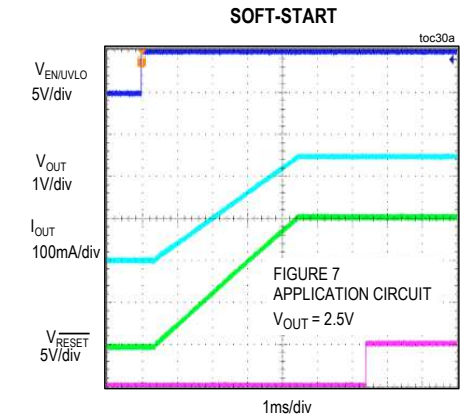
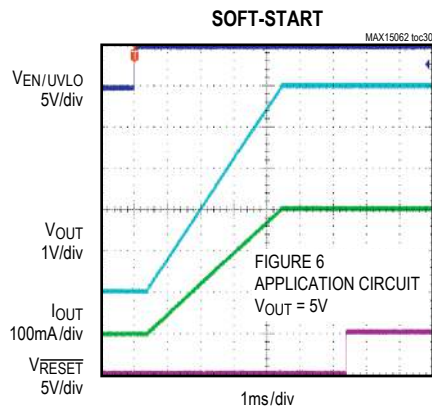
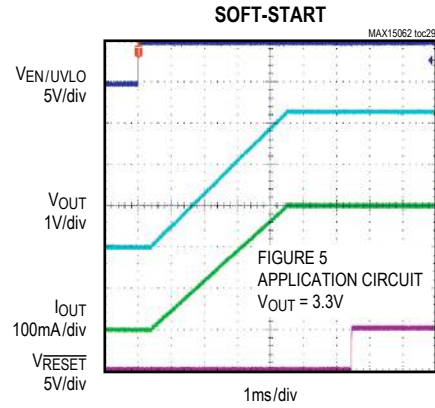
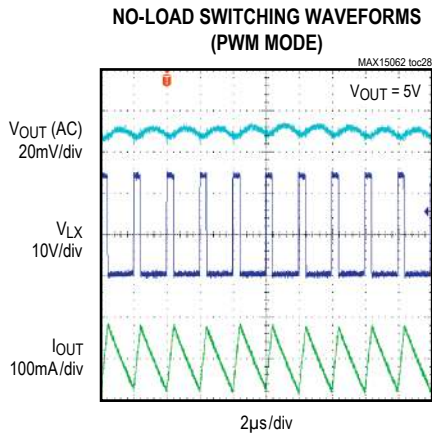
Typical Operating Characteristicsc (continued)

( $V_{IN} = 24V$ ,  $V_{GND} = 0V$ ,  $C_{IN} = C_{VCC} = 1\mu F$ ,  $V_{EN/UVLO} = 1.5V$ ,  $T_A = +25^\circ C$ , unless otherwise noted.)



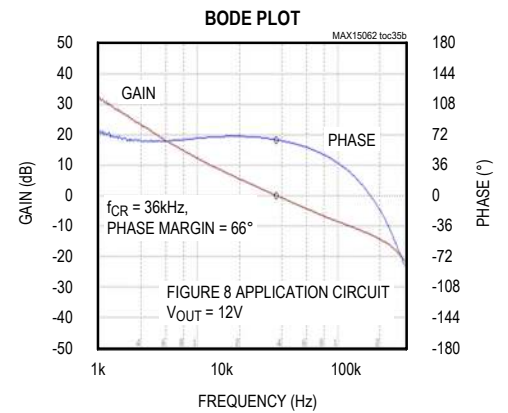
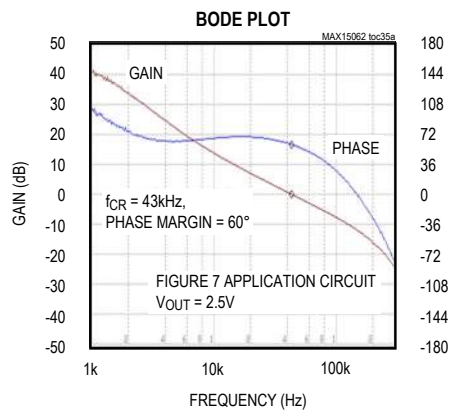
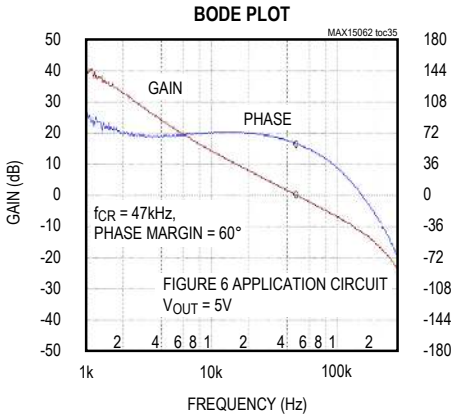
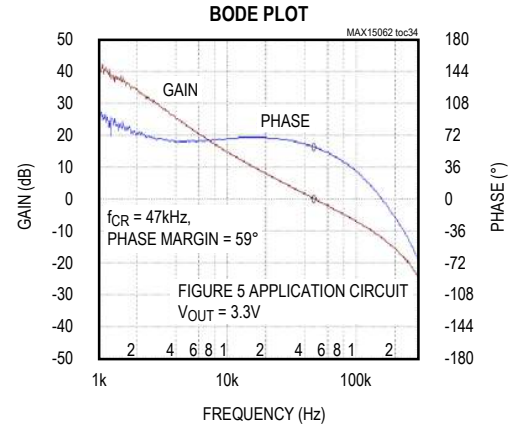
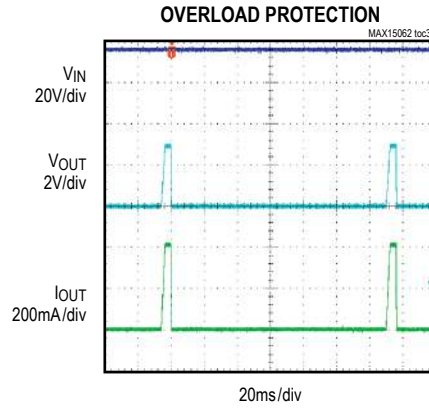
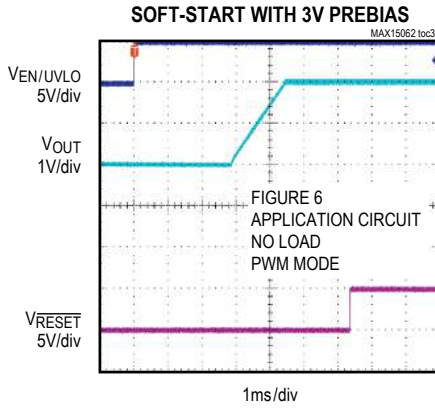
Typical Operating Characteristics (continued)

( $V_{IN} = 24V$ ,  $V_{GND} = 0V$ ,  $C_{IN} = C_{VCC} = 1\mu F$ ,  $V_{EN/UVLO} = 1.5V$ ,  $T_A = +25^\circ C$ , unless otherwise noted.)

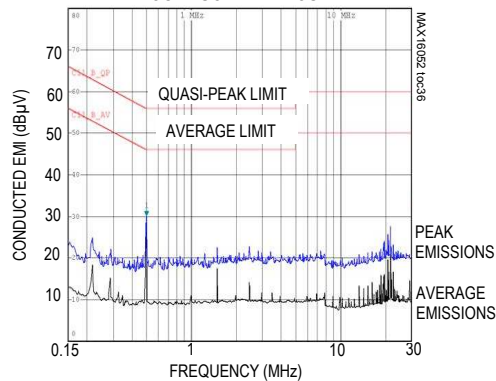


Typical Operating Characteristics (continued)

( $V_{IN} = 24V$ ,  $V_{GND} = 0V$ ,  $C_{IN} = C_{VCC} = 1\mu F$ ,  $V_{EN/UVLO} = 1.5V$ ,  $T_A = +25^\circ C$ , unless otherwise noted.)

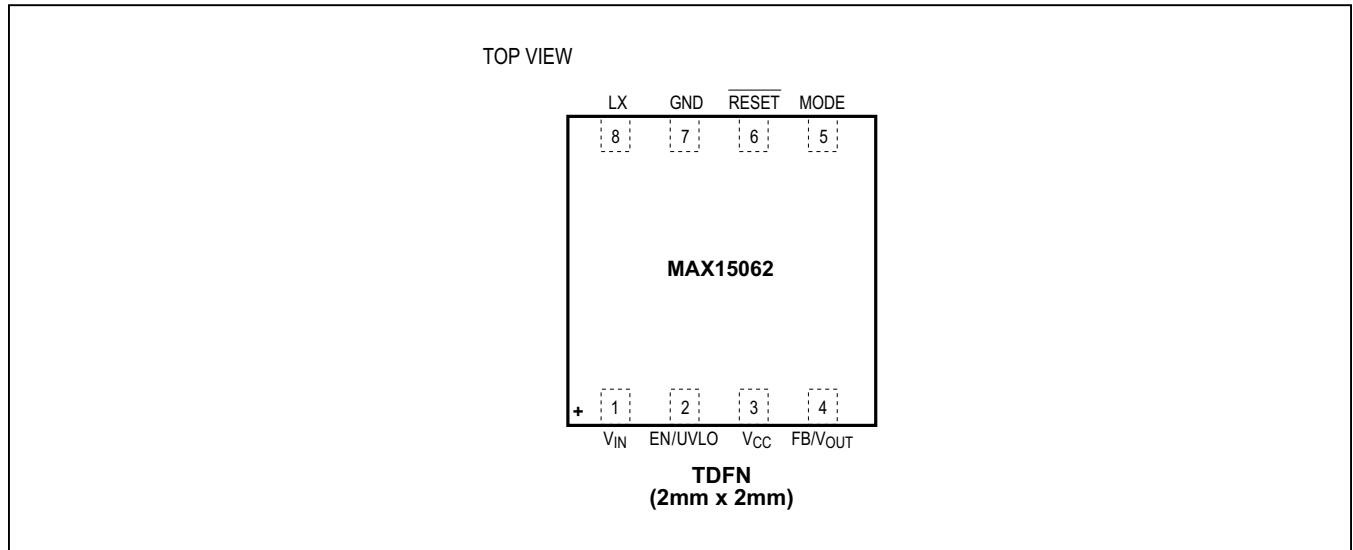


MAX15062, 5V OUTPUT, 0.3A LOAD CURRENT, CONDUCTED EMI CURVE



Measured on the MAX15062BEVKIT with Input Filter-  
 $C_{IN} = 4.7\mu F$ ,  $L_{IN} = 10\mu H$

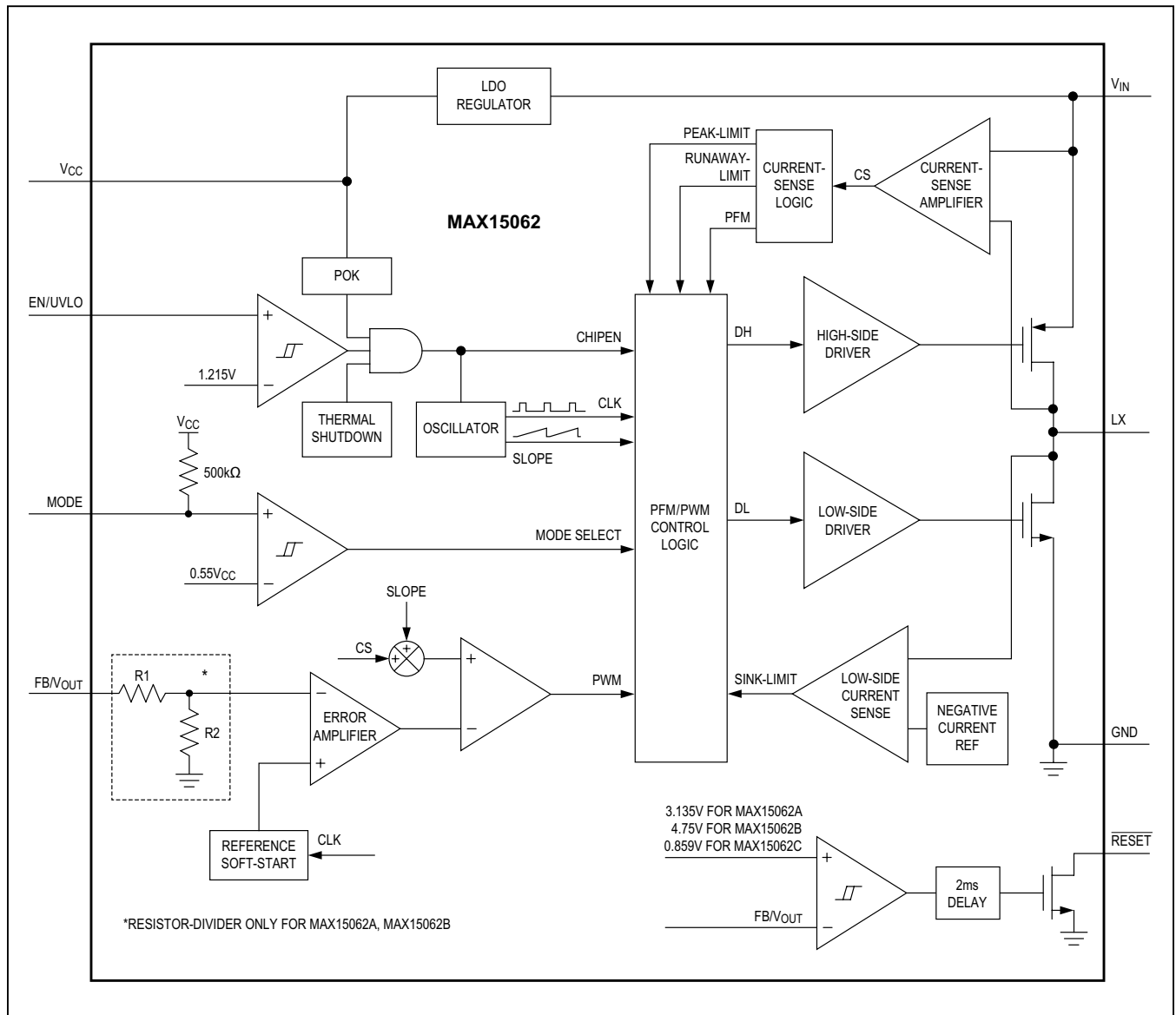
Pin Configuration



Pin Description

| PIN | NAME                | FUNCTION   |
|-----|---------------------|--|
| 1   | V <sub>IN</sub>     | Switching Regulator Power Input. Connect a X7R 1µF ceramic capacitor from V <sub>IN</sub> to GND for bypassing.  |
| 2   | EN/UVLO             | Active-High, Enable/Undervoltage-Detection Input. Pull EN/UVLO to GND to disable the regulator output. Connect EN/UVLO to V <sub>IN</sub> for always-on operation. Connect a resistor-divider between V <sub>IN</sub> and EN/UVLO to GND to program the input voltage at which the device is enabled and turns on.   |
| 3   | V <sub>CC</sub>     | Internal LDO Power Output. Bypass V <sub>CC</sub> to GND with a minimum 1µF capacitor.   |
| 4   | FB/V <sub>OUT</sub> | Feedback Input. For fixed output voltage versions, connect FB/V <sub>OUT</sub> directly to the output. For the adjustable output voltage version, connect FB/V <sub>OUT</sub> to a resistor-divider between V <sub>OUT</sub> and GND to adjust the output voltage from 0.9V to 0.89 x V <sub>IN</sub> .  |
| 5   | MODE                | PFM/PWM Mode Selection Input. Connect MODE to GND to enable the fixed-frequency PWM operation. Leave unconnected for light-load PFM operation.   |
| 6   | RESET               | Open-Drain Reset Output. Pull up RESET to an external power supply with an external resistor. RESET goes low when the output voltage drops below 92% of the set nominal regulated voltage. RESET goes high impedance 2ms after the output voltage rises above 95% of its regulation value. See the <i>Electrical Characteristics</i> table for threshold values. |
| 7   | GND                 | Ground. Connect GND to the power ground plane. Connect all the circuit ground connections together at a single point. See the <i>PCB Layout Guidelines</i> section.  |
| 8   | LX                  | Inductor Connection. Connect LX to the switching side of the inductor. LX is high impedance when the device is in shutdown.  |

Block Diagram



## Detailed Description

The MAX15062 high-efficiency, high-voltage, synchronous step-down DC-DC converter with integrated MOSFETs operates over a wide 4.5V to 60V input voltage range. The converter delivers output current up to 300mA at 3.3V (MAX15062A), 5V (MAX15062B), and adjustable output voltages (MAX15062C). When EN/UVLO and  $V_{CC}$  UVLO are satisfied, an internal power-up sequence soft-starts the error-amplifier reference, resulting in a clean monotonic output-voltage soft-start independent of the load current. The FB/ $V_{OUT}$  pin monitors the output voltage through a resistor-divider.  $\overline{RESET}$  transitions to a high-impedance state 2ms after the output voltage reaches 95% of regulation. The device selects either PFM or forced-PWM mode depending on the state of the MODE pin at power-up. By pulling the EN/UVLO pin to low, the device enters the shutdown mode and consumes only 2.2 $\mu$ A (typ) of standby current.

## DC-DC Switching Regulator

The device uses an internally compensated, fixed-frequency, current-mode control scheme (see the [Block Diagram](#)). On the rising edge of an internal clock, the high-side pMOSFET turns on. An internal error amplifier compares the feedback voltage to a fixed internal reference voltage and generates an error voltage. The error voltage is compared to a sum of the current-sense voltage and a slope-compensation voltage by a PWM comparator to set the on-time. During the on-time of the pMOSFET, the inductor current ramps up. For the remainder of the switching period (off-time), the pMOSFET is kept off and the low-side nMOSFET turns on. During the off-time, the inductor releases the stored energy as the inductor current ramps down, providing current to the output. Under overload conditions, the cycle-by-cycle current-limit feature limits the inductor peak current by turning off the high-side pMOSFET and turning on the low-side nMOSFET.

## Mode Selection (MODE)

The logic state of the MODE pin is latched after  $V_{CC}$  and EN/UVLO voltages exceed respective UVLO rising thresholds and all internal voltages are ready to allow LX switching. If the MODE pin is unconnected at power-up, the part operates in PFM mode at light loads. If the MODE pin is grounded at power-up, the part operates in constant-frequency PWM mode at all loads. State changes on the MODE pin are ignored during normal operation.

## PWM Mode Operation

In PWM mode, the inductor current is allowed to go negative. PWM operation is useful in frequency sensi-

tive applications and provides fixed switching frequency at all loads. However, the PWM mode of operation gives lower efficiency at light loads compared to PFM mode of operation.

## PFM Mode Operation

PFM mode operation disables negative inductor current and additionally skips pulses at light loads for high efficiency. In PFM mode, the inductor current is forced to a fixed peak of 130mA every clock cycle until the output rises to 102.3% of the nominal voltage. Once the output reaches 102.3% of the nominal voltage, both high-side and low-side FETs are turned off and the part enters hibernate operation until the load discharges the output to 101.1% of the nominal voltage. Most of the internal blocks are turned off in hibernate operation to save quiescent current. After the output falls below 101.1% of the nominal voltage, the device comes out of hibernate operation, turns on all internal blocks, and again commences the process of delivering pulses of energy to the output until it reaches 102.3% of the nominal output voltage. The device naturally exits PFM mode when the load current exceeds 55mA (typ). The advantage of the PFM mode is higher efficiency at light loads because of lower quiescent current drawn from supply.

## Internal 5V Linear Regulator

An internal regulator provides a 5V nominal supply to power the internal functions and to drive the power MOSFETs. The output of the linear regulator ( $V_{CC}$ ) should be bypassed with a 1 $\mu$ F capacitor to GND. The  $V_{CC}$  regulator dropout voltage is typically 150mV. An undervoltage-lockout circuit that disables the regulator when  $V_{CC}$  falls below 3.8V (typ). The 400mV  $V_{CC}$  UVLO hysteresis prevents chattering on power-up and power-down.

## Enable Input (EN/UVLO), Soft-Start

When EN/UVLO voltage is above 1.21V (typ), the device's internal error-amplifier reference voltage starts to ramp up. The duration of the soft-start ramp is 4.1ms, allowing a smooth increase of the output voltage. Driving EN/UVLO low disables both power MOSFETs, as well as other internal circuitry, and reduces  $V_{IN}$  quiescent current to below 2.2 $\mu$ A. EN/UVLO can be used as an input-voltage UVLO adjustment input. An external voltage-divider between  $V_{IN}$  and EN/UVLO to GND adjusts the input voltage at which the device turns on or turns off. If input UVLO programming is not desired, connect EN/UVLO to  $V_{IN}$  (see the [Electrical Characteristics](#) table for EN/UVLO rising and falling threshold voltages).

### Reset Output ( $\overline{\text{RESET}}$ )

The device includes an open-drain  $\overline{\text{RESET}}$  output to monitor the output voltage.  $\overline{\text{RESET}}$  goes high impedance 2ms after the output rises above 95% of its nominal set value and pulls low when the output voltage falls below 92% of the set nominal regulated voltage.  $\overline{\text{RESET}}$  asserts low during the hiccup timeout period.

### Startup into a Prebiased Output

The device is capable of soft-start into a prebiased output, without discharging the output capacitor in both the PFM and forced-PWM modes. Such a feature is useful in applications where digital integrated circuits with multiple rails are powered.

### Operating Input Voltage Range

The maximum operating input voltage is determined by the minimum controllable on-time and the minimum operating input voltage is determined by the maximum duty cycle and circuit voltage drops. The minimum and maximum operating input voltages for a given output voltage should be calculated as follows:

$$V_{\text{INMIN}} = \frac{V_{\text{OUT}} + (I_{\text{OUT}} \times (R_{\text{DCR}} + 0.5))}{D_{\text{MAX}}} + (I_{\text{OUT}} \times 1.0)$$

$$V_{\text{INMAX}} = \frac{V_{\text{OUT}}}{t_{\text{ONMIN}} \times f_{\text{SW}}}$$

where  $V_{\text{OUT}}$  is the steady-state output voltage,  $I_{\text{OUT}}$  is the maximum load current,  $R_{\text{DCR}}$  is the DC resistance of the inductor,  $f_{\text{SW}}$  is the switching frequency (max),  $D_{\text{MAX}}$  is maximum duty cycle (0.89), and  $t_{\text{ONMIN}}$  is the worst-case minimum controllable switch on-time (130ns).

### Overcurrent Protection/Hiccup Mode

The device is provided with a robust overcurrent protection scheme that protects the device under overload and output short-circuit conditions. A cycle-by-cycle peak current limit turns off the high-side MOSFET whenever the high-side switch current exceeds an internal limit of 0.56A (typ). A runaway current limit on the high-side switch current at 0.66A (typ) protects the device under high input voltage, and short-circuit conditions when there is insufficient output voltage available to restore the inductor current that was built up during the on period of the step-down converter. One occurrence of the runaway current limit triggers a hiccup mode. In addition, if due

to a fault condition, output voltage drops to 65% (typ) of its nominal value any time after soft-start is complete, hiccup mode is triggered. In hiccup mode, the converter is protected by suspending switching for a hiccup timeout period of 131ms. Once the hiccup timeout period expires, soft-start is attempted again. Hiccup mode of operation ensures low power dissipation under output short-circuit conditions.

Care should be taken in board layout and system wiring to prevent violation of the absolute maximum rating of the FB/ $V_{\text{OUT}}$  pin under short-circuit conditions. Under such conditions, it is possible for the ceramic output capacitor to oscillate with the board or wiring inductance between the output capacitor or short-circuited load, thereby causing the absolute maximum rating of FB/ $V_{\text{OUT}}$  (-0.3V) to be exceeded. The parasitic board or wiring inductance should be minimized and the output voltage waveform under short-circuit operation should be verified to ensure the absolute maximum rating of FB/ $V_{\text{OUT}}$  is not exceeded.

### Thermal Overload Protection

Thermal overload protection limits the total power dissipation in the device. When the junction temperature exceeds +166°C, an on-chip thermal sensor shuts down the device, turns off the internal power MOSFETs, allowing the device to cool down. The thermal sensor turns the device on after the junction temperature cools by 10°C.

## Applications Information

### Inductor Selection

A low-loss inductor having the lowest possible DC resistance that fits in the allotted dimensions should be selected. The saturation current ( $I_{\text{SAT}}$ ) must be high enough to ensure that saturation cannot occur below the maximum current-limit value. The required inductance for a given application can be determined from the following equation:

$$L = 9.3 \times V_{\text{OUT}}$$

where L is inductance in  $\mu\text{H}$  and  $V_{\text{OUT}}$  is output voltage. Once the L value is known, the next step is to select the right core material. Ferrite and powdered iron are commonly available core materials. Ferrite cores have low core losses and are preferred for high-efficiency designs. Powdered iron cores have more core losses and are relatively cheaper than ferrite cores. See [Table 1](#) to select the inductors for typical applications.



**Table 1. Inductor Selection**

| INPUT VOLTAGE RANGE $V_{IN}$ (V) | $V_{OUT}$ (V) | $I_{OUT}$ (mA) | L ( $\mu$ H) | RECOMMENDED PART NO.    |
|----------------------------------|---------------|----------------|--------------|-------------------------|
| 4.5 to 60                        | 3.3 (Fixed)   | 300            | 33           | Coilcraft LPS4018-333ML |
| 6 to 60                          | 5 (Fixed)     | 300            | 47           | Coilcraft LPS4018-473ML |
| 4.5 to 60                        | 1.8 or 2.5    | 300            | 22           | Coilcraft LPS4018-223ML |
| 14 to 60                         | 12            | 300            | 100          | Würth 74408943101       |
| 17 to 60                         | 15            | 300            | 150          | TDK VLC6045T-151M       |

**Table 2. Output Capacitor Selection**

| INPUT VOLTAGE RANGE $V_{IN}$ (V) | $V_{OUT}$ (V) | $I_{OUT}$ (mA) | $C_{OUT}$ ( $\mu$ F)     | RECOMMENDED PART NO.  |
|----------------------------------|---------------|----------------|--------------------------|-----------------------|
| 4.5 to 60                        | 3.3 (Fixed)   | 300            | 10 $\mu$ F/1206/X7R/6.3V | Murata GRM31CR70J106K |
| 6 to 60                          | 5 (Fixed)     | 300            | 10 $\mu$ F/1206/X7R/6.3V | Murata GRM31CR70J106K |
| 4.5 to 60                        | 1.8 or 2.5    | 300            | 22 $\mu$ F/1206/X7R/6.3V | Murata GRM31CR70J226K |
| 14 to 60                         | 12            | 300            | 4.7 $\mu$ F/1206/X7R/16V | Murata GRM31CR71C475K |
| 17 to 60                         | 15            | 300            | 4.7 $\mu$ F/1206/X7R/25V | Murata GRM31CR71E475K |

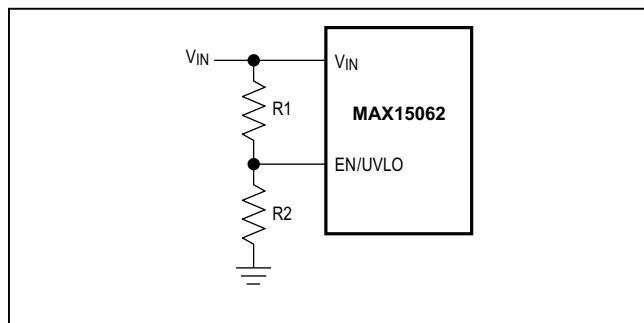


Figure 1. Adjustable EN/UVLO Network

**Input Capacitor**

The input filter capacitor reduces peak currents drawn from the power source and reduces noise and voltage ripple on the input caused by the circuit’s switching. The input capacitor RMS current requirement ( $I_{RMS}$ ) is defined by the following equation:

$$I_{RMS} = I_{OUT(MAX)} \times \frac{\sqrt{(V_{OUT} \times (V_{IN} - V_{OUT}))}}{V_{IN}}$$

where,  $I_{OUT(MAX)}$  is the maximum load current.  $I_{RMS}$  has a maximum value when the input voltage equals twice the output voltage ( $V_{IN} = 2 \times V_{OUT}$ ), so  $I_{RMS(MAX)} = I_{OUT(MAX)}/2$ .

Choose an input capacitor that exhibits less than +10°C temperature rise at the RMS input current for optimal long-term reliability. Use low-ESR ceramic capacitors

with high-ripple-current capability at the input. X7R capacitors are recommended in industrial applications for their temperature stability. Calculate the input capacitance using the following equation:

$$C_{IN} = I_{OUT(MAX)} \times D \times \frac{(1 - D)}{\eta \times f_{SW} \times \Delta V_{IN}}$$

where  $D = V_{OUT}/V_{IN}$  is the duty ratio of the converter,  $f_{SW}$  is the switching frequency,  $\Delta V_{IN}$  is the allowable input voltage ripple, and  $\eta$  is the efficiency.

In applications where the source is located distant from the device input, an electrolytic capacitor should be added in parallel to the ceramic capacitor to provide necessary damping for potential oscillations caused by the inductance of the longer input power path and input ceramic capacitor.

**Output Capacitor**

Small ceramic X7R-grade capacitors are sufficient and recommended for the device. The output capacitor has two functions. It filters the square wave generated by the device along with the output inductor. It stores sufficient energy to support the output voltage under load transient conditions and stabilizes the device’s internal control loop. Usually the output capacitor is sized to support a step load of 50% of the maximum output current in the application, such that the output-voltage deviation is less than 3%. Required output capacitance can be calculated from the following equation:

$$C_{OUT} = \frac{30}{V_{OUT}}$$

where  $C_{OUT}$  is the output capacitance in  $\mu\text{F}$  and  $V_{OUT}$  is the output voltage. Derating of ceramic capacitors with DC-voltage must be considered while selecting the output capacitor. Derating curves are available from all major ceramic capacitor vendors. See [Table 2](#) to select the output capacitor for typical applications.

### Setting the Input Undervoltage-Lockout Level

The devices offer an adjustable input undervoltage-lockout level. Set the voltage at which the device turns on with a resistive voltage-divider connected from  $V_{IN}$  to GND (see [Figure 1](#)). Connect the center node of the divider to EN/UVLO.

Choose  $R1$  to be  $3.3\text{M}\Omega$  max, and then calculate  $R2$  as follows:

$$R2 = \frac{R1 \times 1.215}{(V_{INU} - 1.215)}$$

where  $V_{INU}$  is the voltage at which the device is required to turn on.

If the EN/UVLO pin is driven from an external signal source, a series resistance of minimum  $1\text{k}\Omega$  is recommended to be placed between the signal source output and the EN/UVLO pin, to reduce voltage ringing on the line.

### Adjusting the Output Voltage

The MAX15062C output voltage can be programmed from  $0.9\text{V}$  to  $0.89 \times V_{IN}$ . Set the output voltage by connecting a resistor-divider from output to FB to GND (see [Figure 2](#)).

For the output voltages less than  $6\text{V}$ , choose  $R2$  in the  $50\text{k}\Omega$  to  $150\text{k}\Omega$  range. For the output voltages greater than  $6\text{V}$ , choose  $R2$  in the  $25\text{k}\Omega$  to  $75\text{k}\Omega$  range and calculate  $R1$  with the following equation:

$$R1 = R2 \times \left[ \frac{V_{OUT}}{0.9} - 1 \right]$$

### Power Dissipation

At a particular operating condition, the power losses that lead to temperature rise of the part are estimated as follows:

$$P_{LOSS} = \left( P_{OUT} \times \left( \frac{1}{\eta} - 1 \right) \right) - (I_{OUT}^2 \times R_{DCR})$$

$$P_{OUT} = V_{OUT} \times I_{OUT}$$

where  $P_{OUT}$  is the output power,  $\eta$  is the efficiency of power conversion, and  $R_{DCR}$  is the DC resistance of the output inductor. See the [Typical Operating Characteristics](#) for the power-conversion efficiency or measure the efficiency to determine the total power dissipation.

The junction temperature ( $T_J$ ) of the device can be estimated at any ambient temperature ( $T_A$ ) from the following equation:

$$T_J = T_A + (\theta_{JA} \times P_{LOSS})$$

where  $\theta_{JA}$  is the junction-to-ambient thermal impedance of the package.

Junction temperature greater than  $+125^\circ\text{C}$  degrades operating lifetimes.

### PCB Layout Guidelines

Careful PCB layout is critical to achieve clean and stable operation. The switching power stage requires particular attention. Follow the guidelines below for good PCB layout.

- Place the input ceramic capacitor as close as possible to the  $V_{IN}$  and GND pins.
- Connect the negative terminal of the  $V_{CC}$  bypass capacitor to the GND pin with shortest possible trace or ground plane.
- Minimize the area formed by the LX pin and the inductor connection to reduce the radiated EMI.
- Place the  $V_{CC}$  decoupling capacitor as close as possible to the  $V_{CC}$  pin.
- Ensure that all feedback connections are short and direct.
- Route the high-speed switching node (LX) away from the FB/ $V_{OUT}$ , RESET, and MODE pins.

For a sample PCB layout that ensures the first-pass success, refer to the MAX15062 evaluation kit layouts available at [www.maximintegrated.com](http://www.maximintegrated.com).

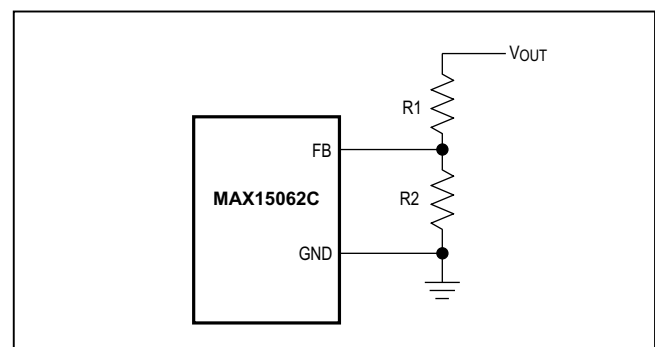


Figure 2. Setting the Output Voltage

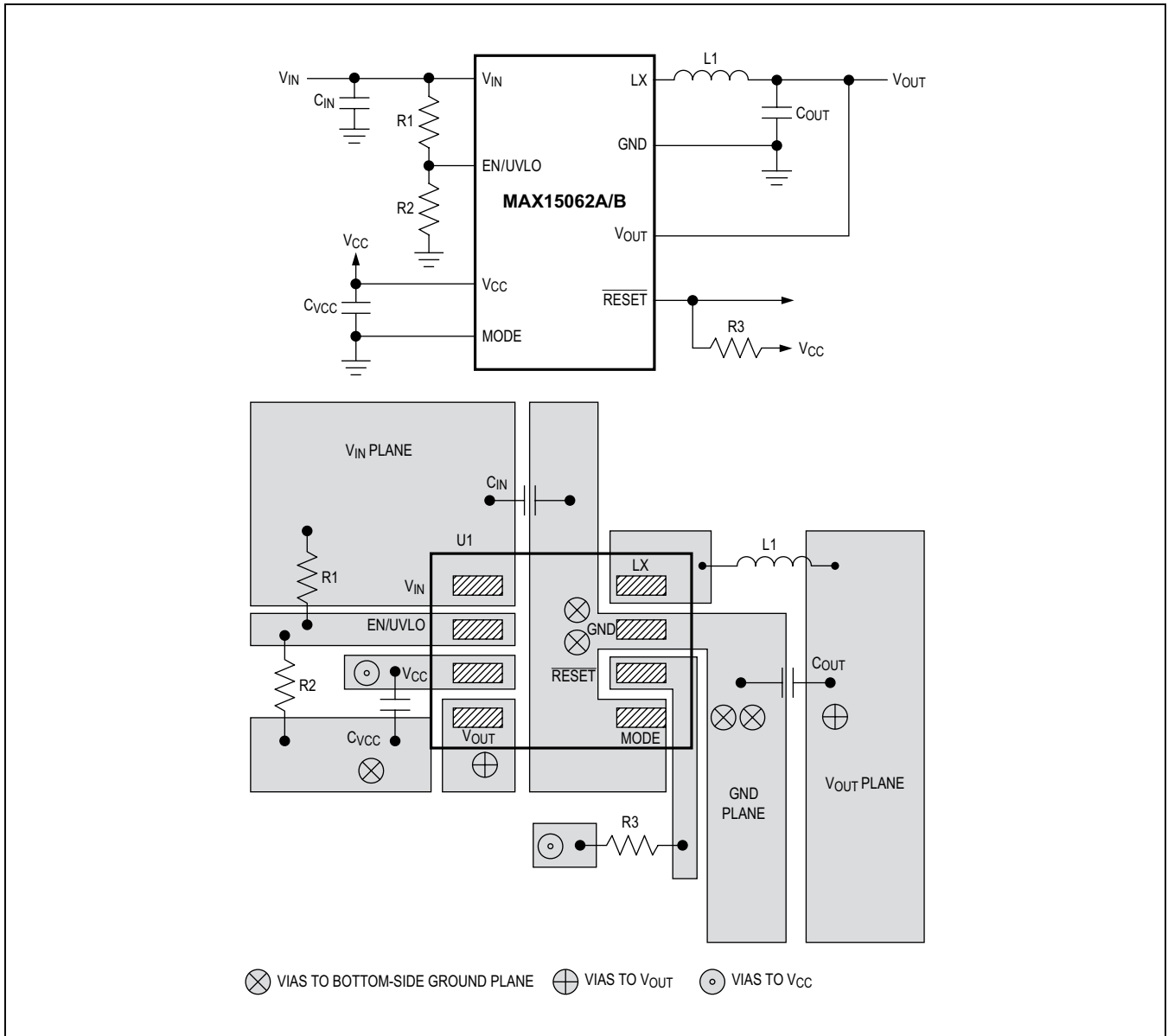


Figure 3. Layout Guidelines for MAX15062A and MAX15062B

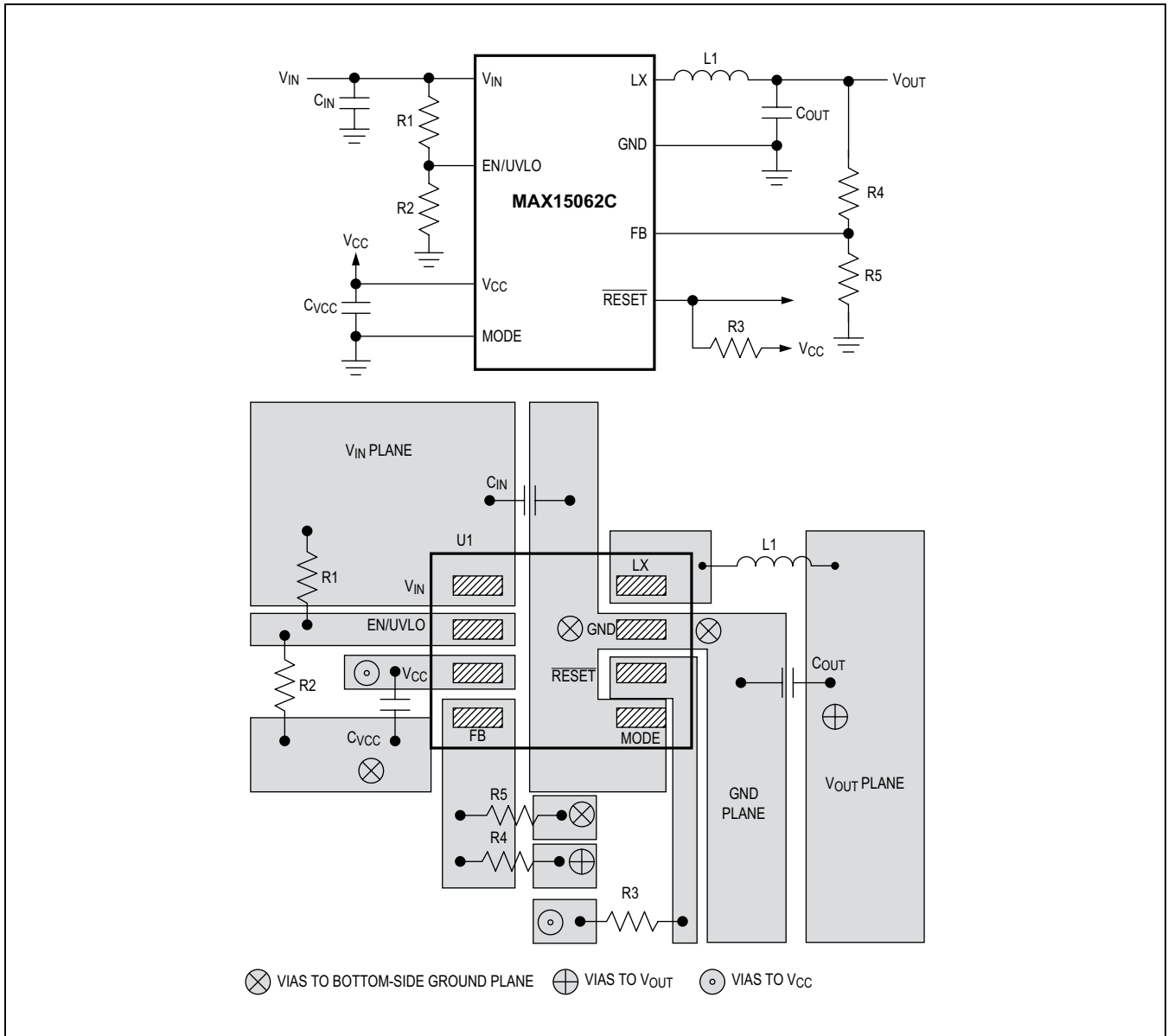


Figure 4. Layout Guidelines for MAX15062C

# MAX15062

# 60V, 300mA, Ultra-Small, High-Efficiency, Synchronous Step-Down DC-DC Converters

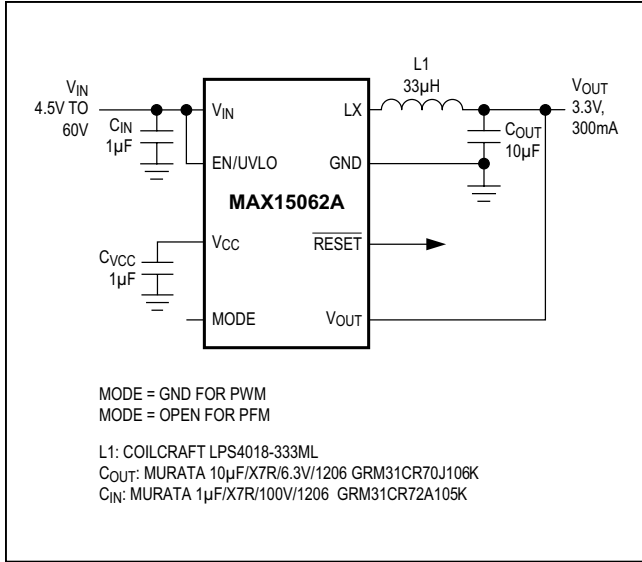


Figure 5. 3.3V, 300mA Step-Down Regulator

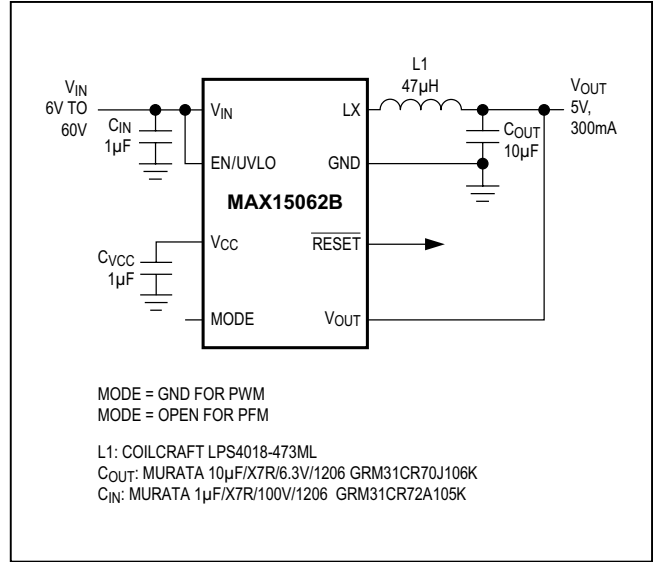


Figure 6. 5V, 300mA Step-Down Regulator

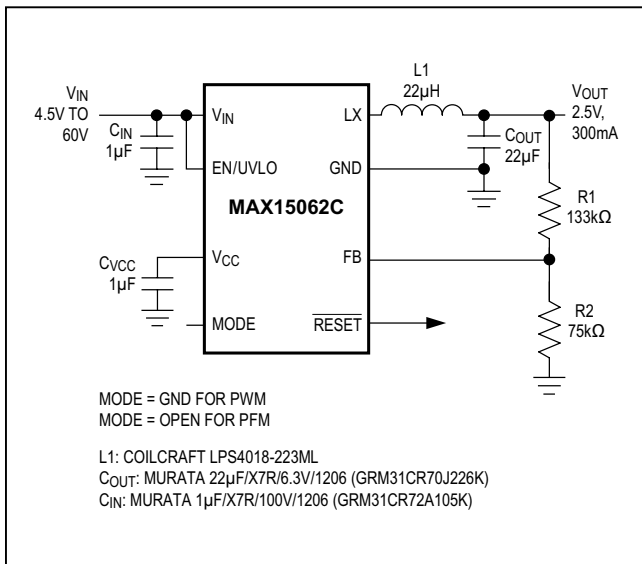


Figure 7. 2.5V, 300mA Step-Down Regulator

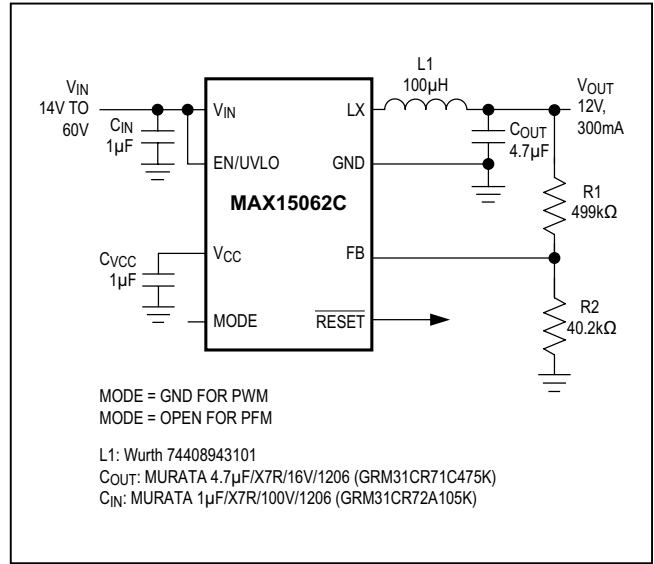


Figure 8. 12V, 300mA Step-Down Regulator

# MAX15062

## 60V, 300mA, Ultra-Small, High-Efficiency, Synchronous Step-Down DC-DC Converters

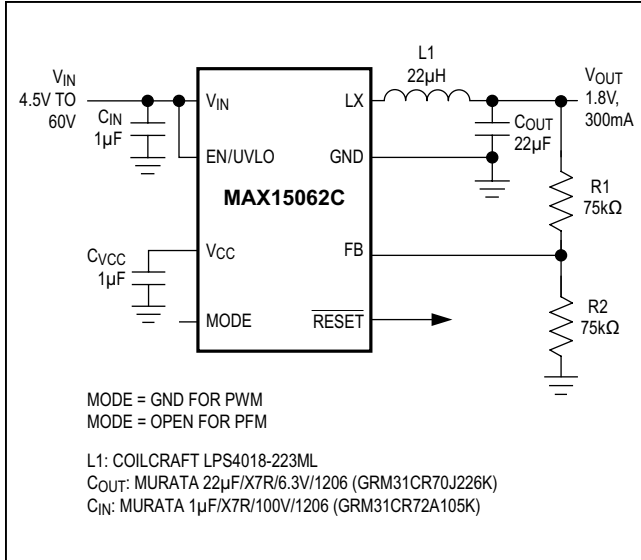


Figure 9. 1.8V, 300mA Step-Down Regulator

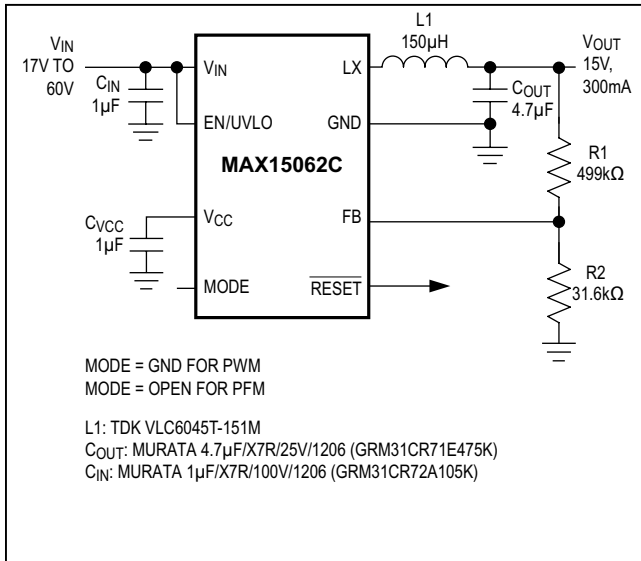


Figure 10. 15V, 300mA Step-Down Regulator

### Ordering Information

| PART          | TEMP RANGE      | PIN-PACKAGE | VOUT |
|---------------|-----------------|-------------|------|
| MAX15062AATA+ | -40°C to +125°C | 8 TDFN      | 3.3V |
| MAX15062BATA+ | -40°C to +125°C | 8 TDFN      | 5V   |
| MAX15062CATA+ | -40°C to +125°C | 8 TDFN      | Adj  |

+Denotes a lead(Pb)-free/RoHS-compliant package.

### Chip Information

PROCESS: BiCMOS

### Package Information

For the latest package outline information and land patterns (footprints), go to [www.maximintegrated.com/packages](http://www.maximintegrated.com/packages). Note that a "+", "#", or "-" in the package code indicates RoHS status only. Package drawings may show a different suffix character, but the drawing pertains to the package regardless of RoHS status.

| PACKAGE TYPE | PACKAGE CODE | OUTLINE NO.             | LAND PATTERN NO.        |
|--------------|--------------|-------------------------|-------------------------|
| 8 TDFN       | T822CN+1     | <a href="#">21-0487</a> | <a href="#">90-0349</a> |

## Revision History

| REVISION NUMBER | REVISION DATE | DESCRIPTION   | PAGES CHANGED  |
|-----------------|---------------|---|----------------|
| 0               | 6/13          | Initial release   | —              |
| 1               | 10/13         | Added MAX15062C, added figures, updated tables and figures throughout     | 1–17           |
| 2               | 7/16          | Operating and Junction temperature value update, additional TOC and text. | 1–4, 12, 16–18 |

For pricing, delivery, and ordering information, please contact Maxim Direct at 1-888-629-4642, or visit Maxim Integrated's website at [www.maximintegrated.com](http://www.maximintegrated.com).

*Maxim Integrated cannot assume responsibility for use of any circuitry other than circuitry entirely embodied in a Maxim Integrated product. No circuit patent licenses are implied. Maxim Integrated reserves the right to change the circuitry and specifications without notice at any time. The parametric values (min and max limits) shown in the Electrical Characteristics table are guaranteed. Other parametric values quoted in this data sheet are provided for guidance.*