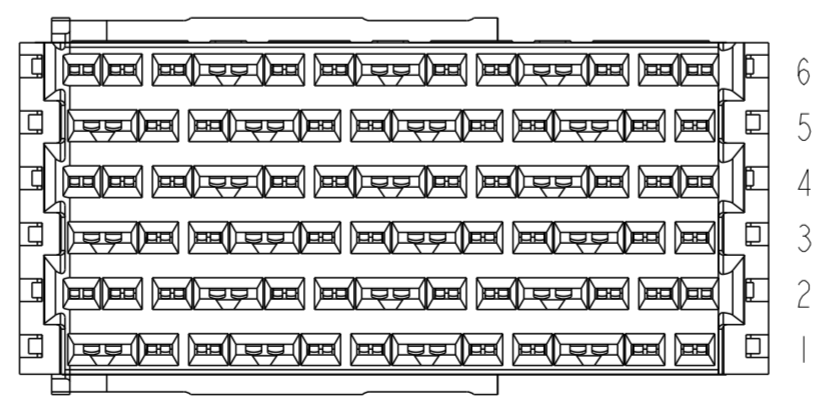
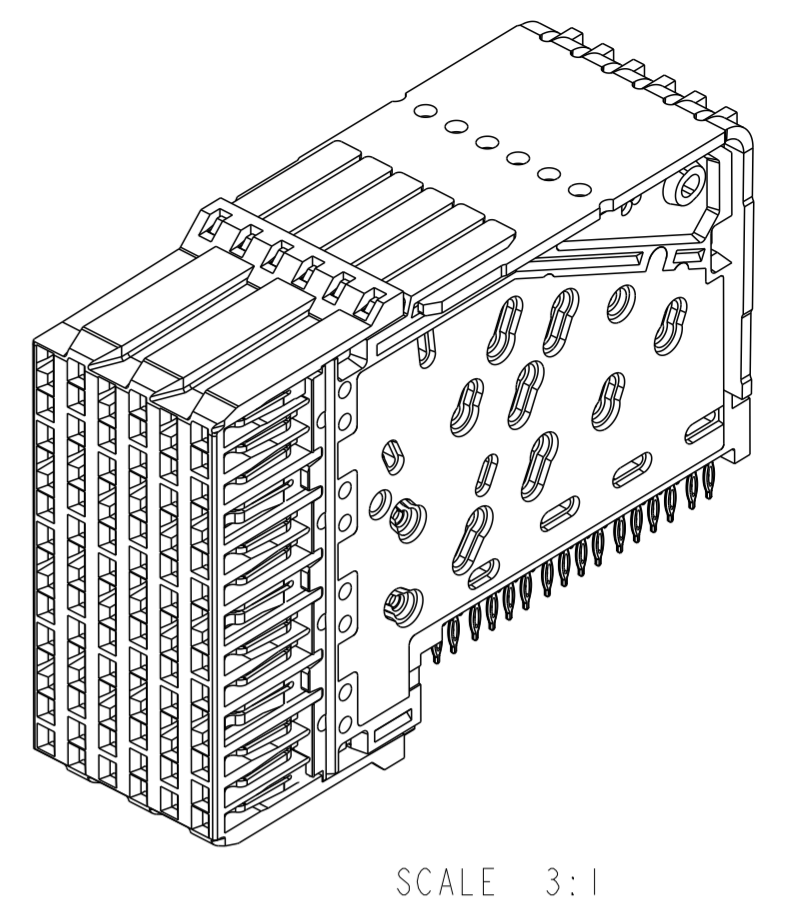
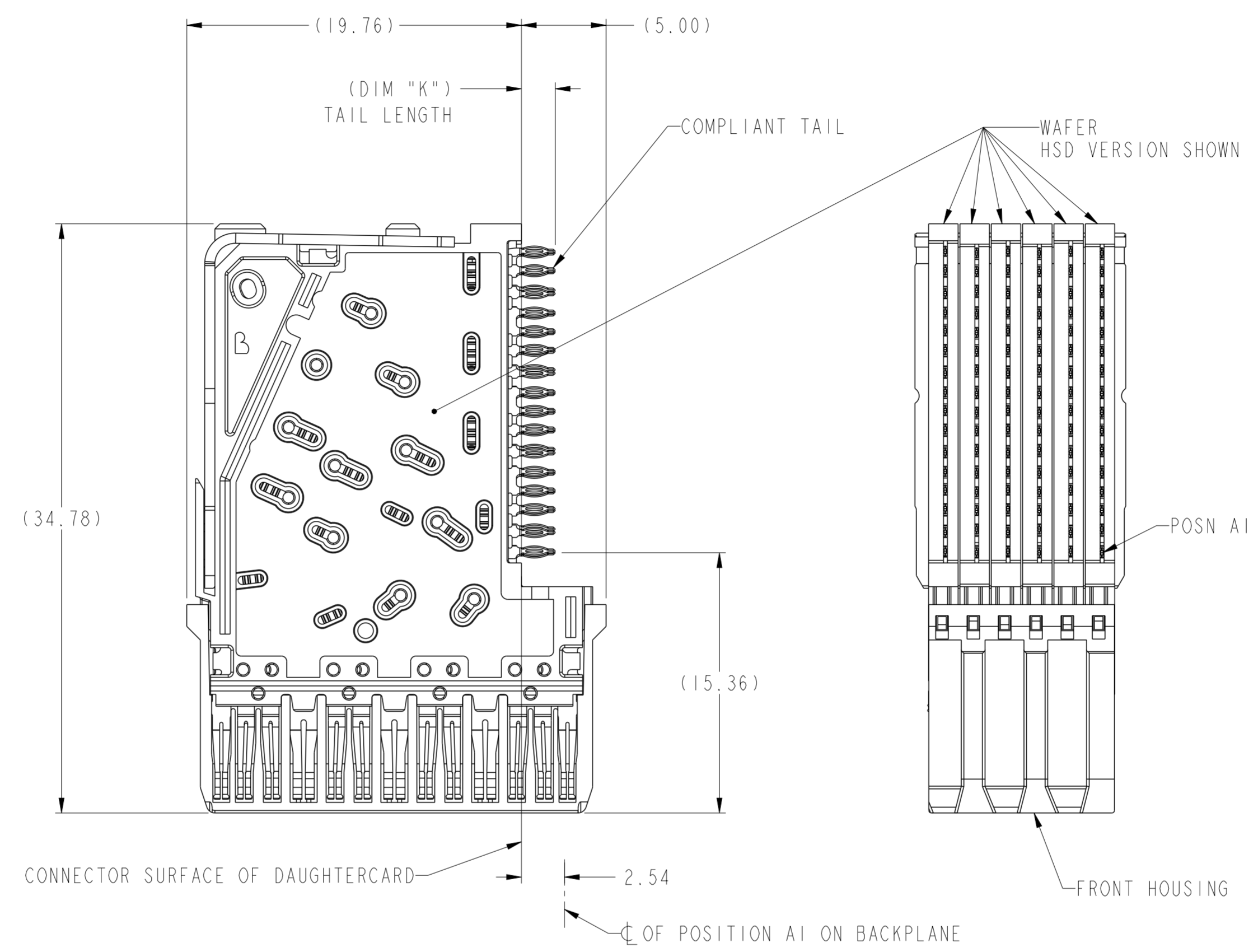
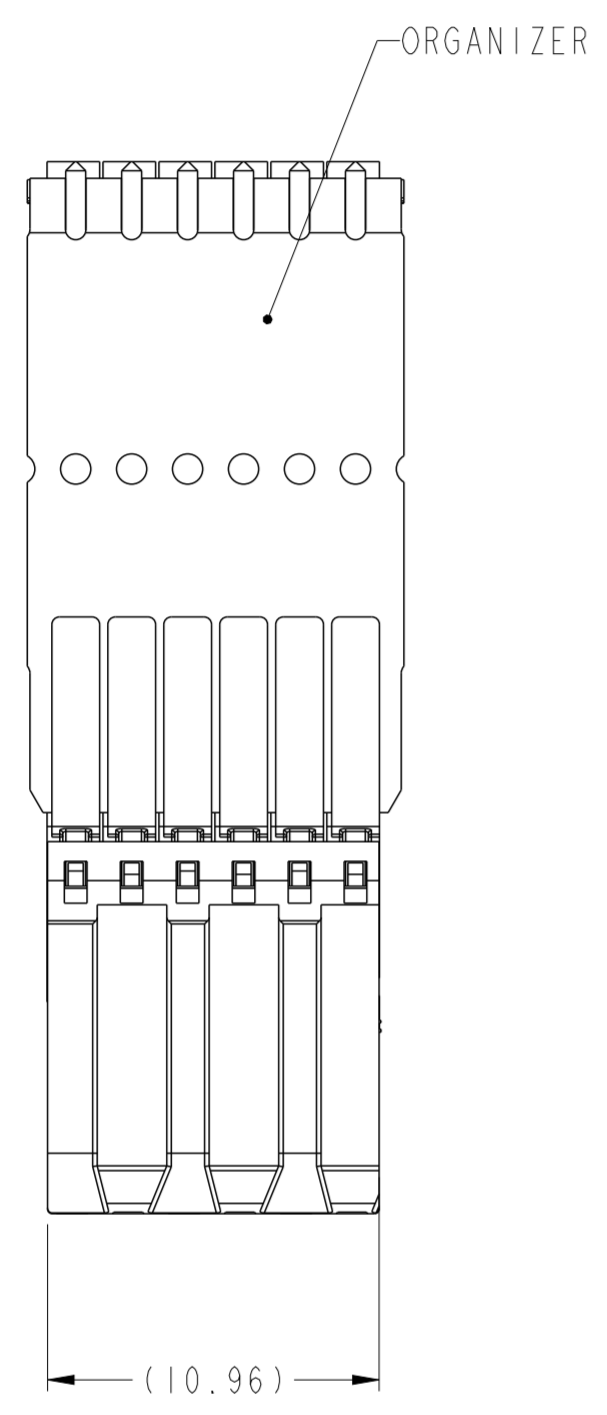


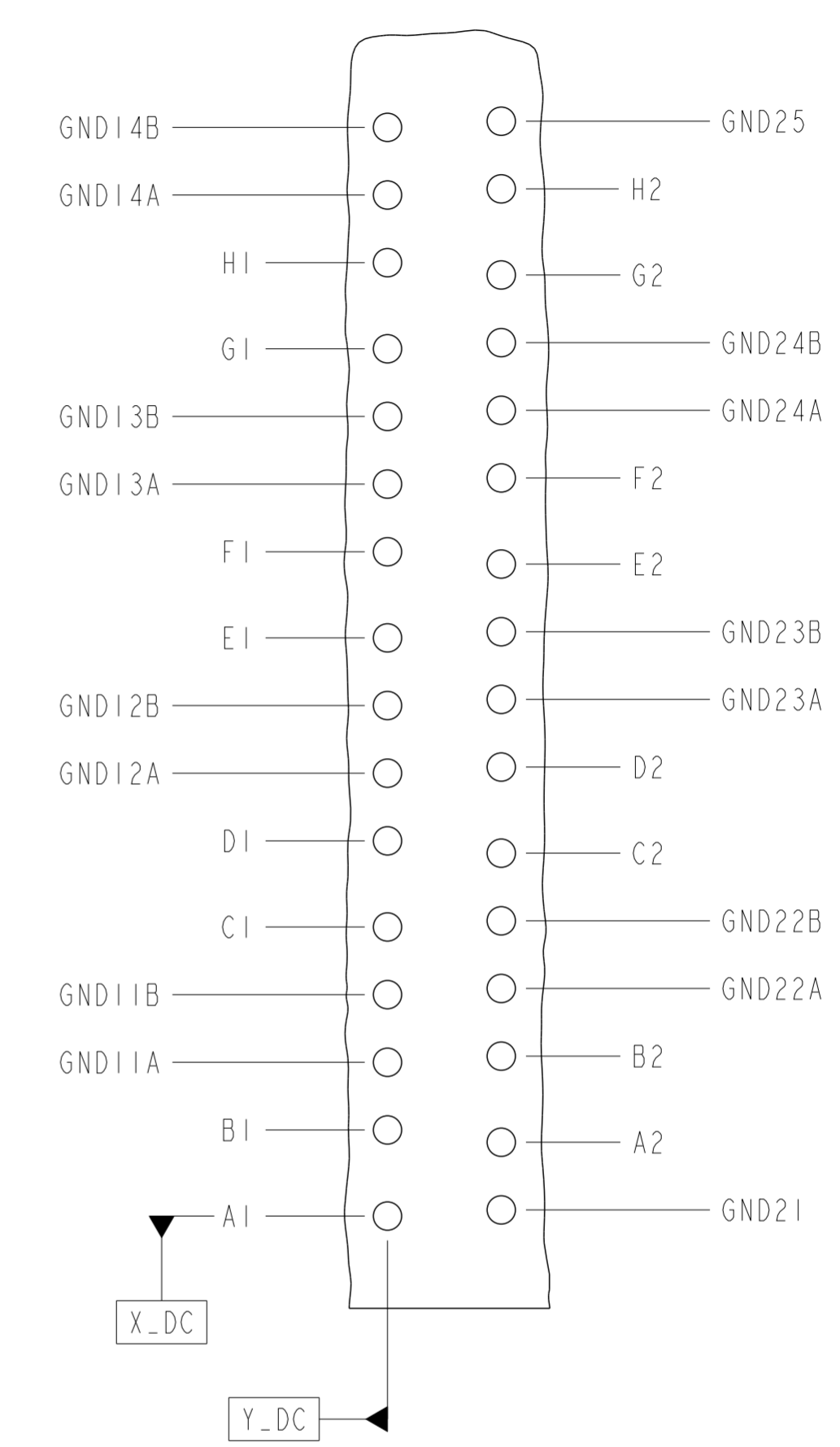
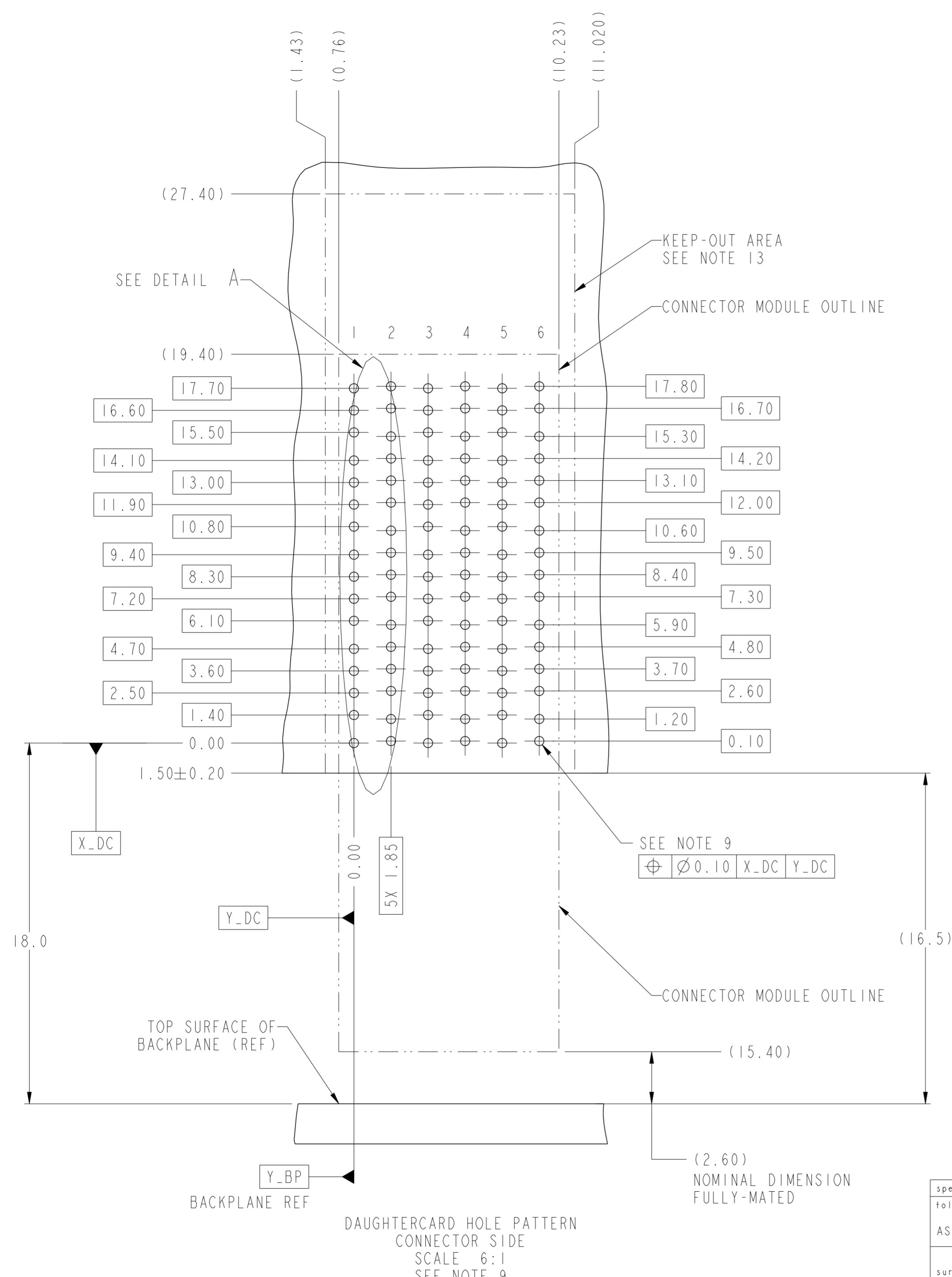
1 2 3 4 5 6 7 8

A
B
C
D
E
F



Copyright FCI.
FCI

spec ref	SEE NOTES	dr	Jim Swain	2010/01/22	projection	mm	size	A2	scale	3:1							
tolerance std	TOLERANCES UNLESS OTHERWISE SPECIFIED	eng	Matthew Cheong	2014/06/23			ecn no	ELX-S-18041-1									
ASME Y14.5		chr	-	appr			Chen-Hong Tan	2014/07/04	product family	-	rel lev	CF	Released				
surface	<table border="1"> <tr> <td>linear</td> <td>0.X</td> <td>±</td> </tr> <tr> <td></td> <td>0.XX</td> <td>±</td> </tr> <tr> <td></td> <td>0.XXX</td> <td>±</td> </tr> <tr> <td>angular</td> <td>0°</td> <td>±</td> </tr> </table>	linear	0.X	±		0.XX	±		0.XXX	±	angular	0°	±		title RECEIPT MODULE, RIGHT ANGLE 6-COLUMN, 4-PAIR	dwg no 10091799	rev D
linear	0.X	±															
	0.XX	±															
	0.XXX	±															
angular	0°	±															
ASME Y14.5		www.fci.com	cat. no.	SEE P/N TABLES	Product - Customer Drw	sheet 1 of 6											



DETAIL A
SCALE 10:1
HIGH-SPEED DIFFERENTIAL PINOUT
SEE NOTE 9

DAUGHTERCARD HOLE PATTERN
CONNECTOR SIDE
SCALE 6:1
SEE NOTE 9



spec ref	SEE NOTES	dr	Jim Swain	2010/01/22	projection	mm	size	A2	scale	3:1									
tolerance std	TOLERANCES UNLESS OTHERWISE SPECIFIED	eng	Matthew Cheong	2014/06/23		mm	ecn no	ELX-S-18041-1	rel lev	Released									
ASME Y14.5		chr	-	appr							Chen-Hong Tan	2014/07/04	product family	-					
surface	<table border="1"> <tr> <td>linear</td> <td>0.X</td> <td>±-</td> </tr> <tr> <td></td> <td>0.XX</td> <td>±-</td> </tr> <tr> <td></td> <td>0.XXX</td> <td>±-</td> </tr> <tr> <td>angular</td> <td>0°</td> <td>±°</td> </tr> </table>	linear	0.X	±-		0.XX	±-		0.XXX	±-	angular	0°	±°			RECEPT MODULE, RIGHT ANGLE 6-COLUMN, 4-PAIR		dwg no 10091799	rev D
linear	0.X	±-																	
	0.XX	±-																	
	0.XXX	±-																	
angular	0°	±°																	
ASME Y14.5		www.fci.com		cat. no.	SEE P/N TABLES	Product - Customer Drw	sheet 2 of 6												

	1	2	3	4	5	6	7	8
	ASSEMBLY PART NUMBER	LEAD-FREE	MODULE DESCRIPTION AND USAGE NOTES	VERSION	IMPEDANCE	COMPLIANT TAIL STYLE AND PCB DRILL DIAMETER	DIM "K" (TAIL LENGTH)	REMARKS
A	10091799-101	NO	SEE NOTES 6 & 14	HSD	100Ω	STANDARD 0.57 (.0225")	2.0	TELECORDIA CO
	10091799-101LF	YES						
	10091799-111	NO	SEE NOTES 6 & 15					
	10091799-111LF	YES						
	10091799-501	NO	SEE NOTES 6 & 14					
	10091799-501LF	YES						
10091799-511	NO	SEE NOTES 6 & 15						
10091799-511LF	YES							
B	10091799-102	NO	SEE NOTES 6 & 14	HSD	100Ω	MICRO 0.45 (.0177")	1.3	TELECORDIA CO
	10091799-102LF	YES						
	10091799-112	NO	SEE NOTES 6 & 15					
	10091799-112LF	YES						
	10091799-502	NO	SEE NOTES 6 & 14					
	10091799-502LF	YES						
10091799-512	NO	SEE NOTES 6 & 15						
10091799-512LF	YES							
C	10091799-103	NO	SEE NOTES 6 & 14	LC	100Ω	STANDARD 0.57 (.0225")	2.0	TELECORDIA CO
	10091799-103LF	YES						
	10091799-113	NO	SEE NOTES 6 & 15					
	10091799-113LF	YES						
	10091799-503	NO	SEE NOTES 6 & 14					
	10091799-503LF	YES						
10091799-513	NO	SEE NOTES 6 & 15						
10091799-513LF	YES							
D	10091799-104	NO	SEE NOTES 6 & 14	LC	100Ω	MICRO 0.45 (.0177")	1.3	TELECORDIA CO
	10091799-104LF	YES						
	10091799-114	NO	SEE NOTES 6 & 15					
	10091799-114LF	YES						
	10091799-504	NO	SEE NOTES 6 & 14					
	10091799-504LF	YES						
10091799-514	NO	SEE NOTES 6 & 15						
10091799-514LF	YES							



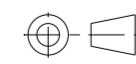

Copyright FCI.

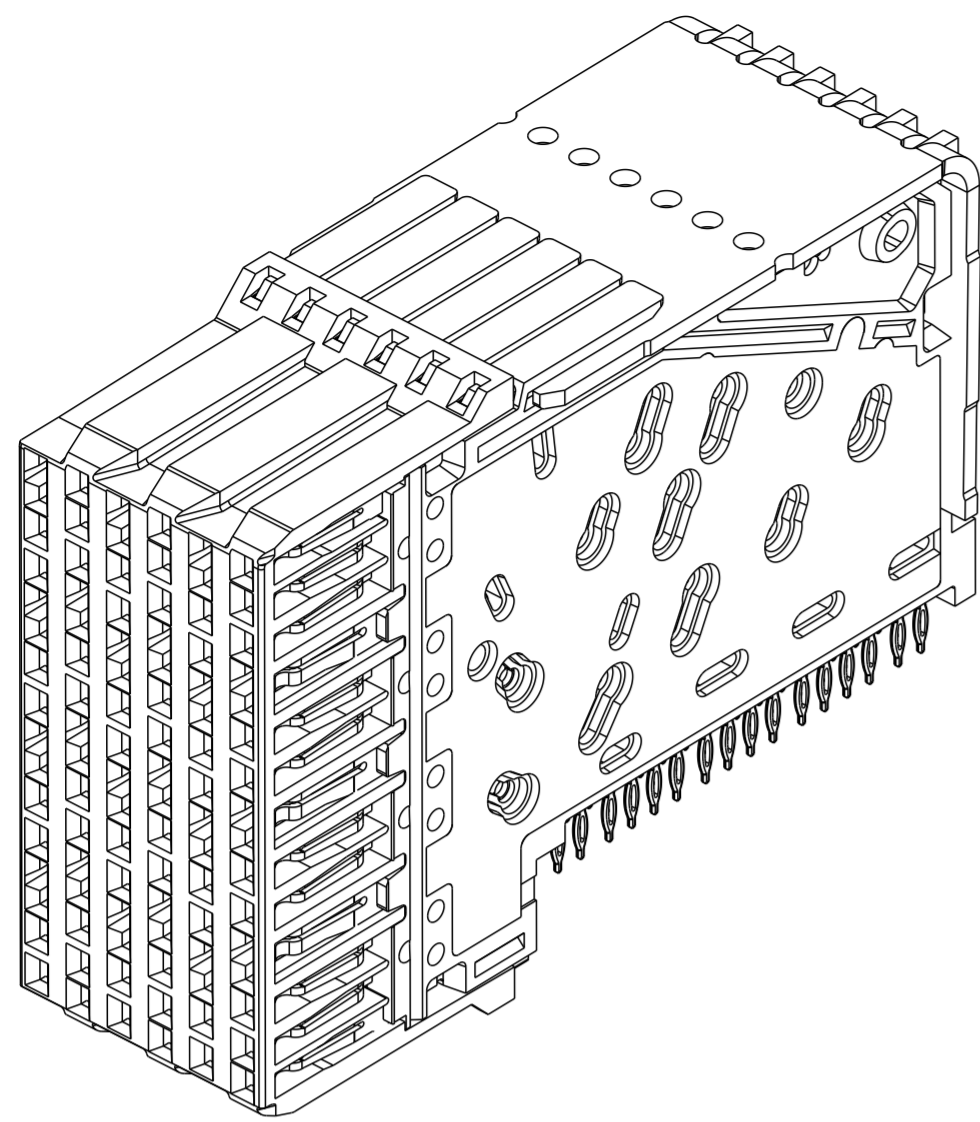
spec ref	SEE NOTES	dr	Jim Swain	2010/01/22	projection	mm	size	A2	scale	3:1											
tolerance std	TOLERANCES UNLESS OTHERWISE SPECIFIED	eng	Matthew Cheong	2014/06/23			ecn no	ELX-S-18041-1													
ASME Y14.5		chr	-	-			rel lev	Cl	Released												
surface	<table border="1"> <tr> <td>linear</td> <td>0.X</td> <td>±</td> </tr> <tr> <td></td> <td>0.XX</td> <td>±</td> </tr> <tr> <td></td> <td>0.XXX</td> <td>±</td> </tr> <tr> <td>angular</td> <td>0°</td> <td>±</td> </tr> </table>	linear	0.X	±		0.XX	±		0.XXX	±	angular	0°	±	appr	Chen-Hong Tan	2014/07/04	product family	-	rel lev	Cl	Released
linear	0.X	±																			
	0.XX	±																			
	0.XXX	±																			
angular	0°	±																			
ASME Y14.5		www.fci.com	cat. no.	SEE P/N TABLES	Product - Customer Drw	sheet 3 of 6	title	RECEPT MODULE, RIGHT ANGLE 6-COLUMN, 4-PAIR	dwg no	10091799											
							rev	D													

1		2		3	4	5	6	7	8	
ASSEMBLY PART NUMBER	LEAD-FREE	MODULE DESCRIPTION AND USAGE NOTES	VERSION	IMPEDANCE	COMPLIANT TAIL STYLE AND PCB DRILL DIAMETER	DIM "K" (TAIL LENGTH)	REMARKS	PCB REQUIREMENTS (SEE NOTE 11)		
								ATTRIBUTE	STANDARD TAIL	MICRO TAIL
A	10091799-105	NO	SEE NOTES 6 & 14	HSD	STANDARD 0.57 (.0225")	2.0	TELECORDIA CO	DRILL SIZE	Ø0.57 (.0225")	Ø0.45 (.0177")
	10091799-105LF	YES								
	10091799-115	NO	SEE NOTES 6 & 15	HSD	STANDARD 0.57 (.0225")	2.0	TELECORDIA CO	PTH	Ø0.46±0.05	Ø0.36±0.05
	10091799-115LF	YES								
	10091799-505	NO	SEE NOTES 6 & 14	HSD	STANDARD 0.57 (.0225")	2.0	TELECORDIA UE	PAD SEE NOTE 8	Ø0.88	Ø0.75
	10091799-505LF	YES								
	10091799-515	NO	SEE NOTES 6 & 15	HSD	STANDARD 0.57 (.0225")	2.0	TELECORDIA UE	MIN PCB THICKNESS	1.60	1.10
	10091799-515LF	YES								
B	10091799-605LF	YES	SEE NOTE 6, 14 & 17	HSD	STANDARD 0.57 (.0225")	2.0	TELECORDIA CO			
	10091799-615LF	YES	SEE NOTE 6, 15 & 17							
	10091799-106	NO	SEE NOTES 6 & 14	HSD	MICRO 0.45 (.0177")	1.3	TELECORDIA CO			
	10091799-106LF	YES								
	10091799-116	NO	SEE NOTES 6 & 15	HSD	MICRO 0.45 (.0177")	1.3	TELECORDIA UE			
	10091799-116LF	YES								
	10091799-506	NO	SEE NOTES 6 & 14	HSD	MICRO 0.45 (.0177")	1.3	TELECORDIA UE			
	10091799-506LF	YES								
	10091799-516	NO	SEE NOTES 6 & 15	HSD	MICRO 0.45 (.0177")	1.3	TELECORDIA UE			
	10091799-516LF	YES								
	10091799-606LF 	YES	SEE NOTE 6, 14 & 17	HSD	MICRO 0.45 (.0177")	1.3	TELECORDIA CO			
	10091799-616LF 	YES	SEE NOTE 6, 15 & 17							
	10091799-107	NO	SEE NOTES 6 & 14	LC	STANDARD 0.57 (.0225")	2.0	TELECORDIA CO			
	10091799-107LF	YES								
	10091799-117	NO	SEE NOTES 6 & 15	LC	STANDARD 0.57 (.0225")	2.0	TELECORDIA UE			
	10091799-117LF	YES								
	10091799-507	NO	SEE NOTES 6 & 14	LC	STANDARD 0.57 (.0225")	2.0	TELECORDIA UE			
	10091799-507LF	YES								
	10091799-517	NO	SEE NOTES 6 & 15	LC	STANDARD 0.57 (.0225")	2.0	TELECORDIA UE			
	10091799-517LF	YES								
	10091799-108	NO	SEE NOTES 6 & 14	LC	MICRO 0.45 (.0177")	1.3	TELECORDIA CO			
	10091799-108LF	YES								
	10091799-118	NO	SEE NOTES 6 & 15	LC	MICRO 0.45 (.0177")	1.3	TELECORDIA UE			
	10091799-118LF	YES								
	10091799-508	NO	SEE NOTES 6 & 14	LC	MICRO 0.45 (.0177")	1.3	TELECORDIA UE			
	10091799-508LF	YES								
	10091799-518	NO	SEE NOTES 6 & 15	LC	MICRO 0.45 (.0177")	1.3	TELECORDIA UE			
	10091799-518LF	YES								

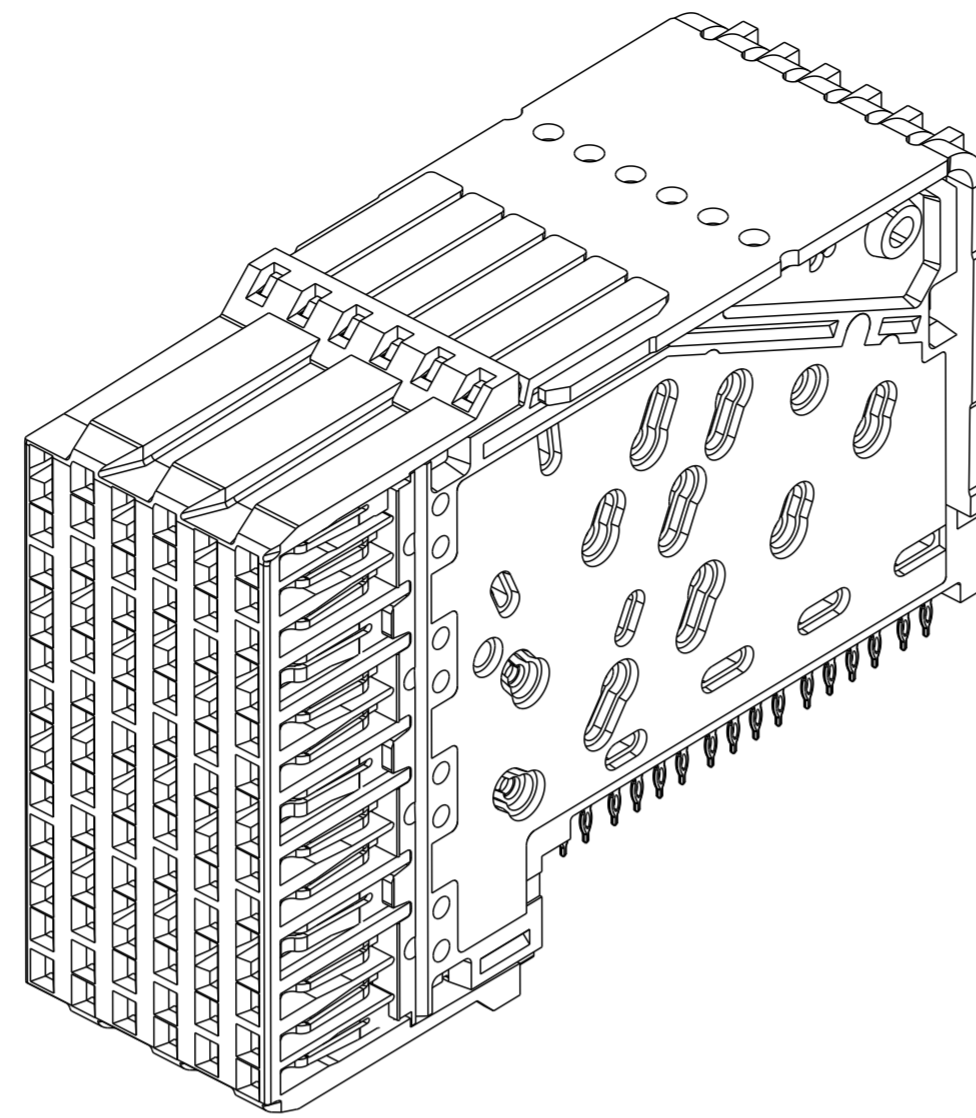
PCB REQUIREMENTS (SEE NOTE 11)		
ATTRIBUTE	STANDARD TAIL	MICRO TAIL
DRILL SIZE	Ø0.57 (.0225")	Ø0.45 (.0177")
PTH	Ø0.46±0.05	Ø0.36±0.05
PAD SEE NOTE 8	Ø0.88	Ø0.75
MIN PCB THICKNESS	1.60	1.10

Copyright FCI. FCI

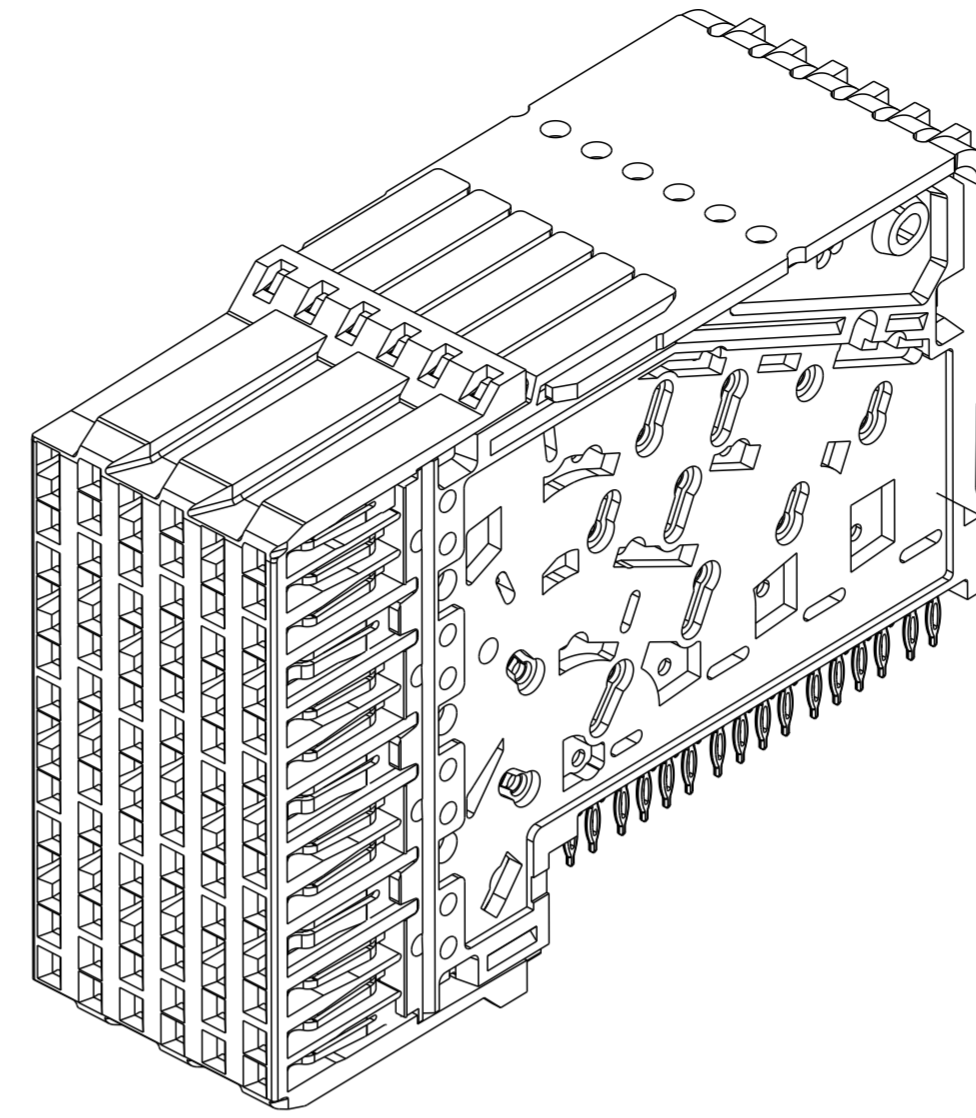
spec ref	SEE NOTES	dr	Jim Swain	2010/01/22	projection	mm	size	A2	scale	3:1
tolerance std	TOLERANCES UNLESS OTHERWISE SPECIFIED	eng	Matthew Cheong	2014/06/23		mm	ecn no	ELX-S-18041-1	rel lev	Released
ASME Y14.5		chr	-	2014/07/04						
surface	linear	0.X	±-		title	RECEPT MODULE, RIGHT ANGLE	6-COLUMN, 4-PAIR	10091799	rev	D
		0.XX	±-							
		0.XXX	±-							
ASME Y14.5	angular	0°	±°	www.fci.com	cat. no.	SEE P/N TABLES	Product - Customer Drw	sheet 4 of 6		



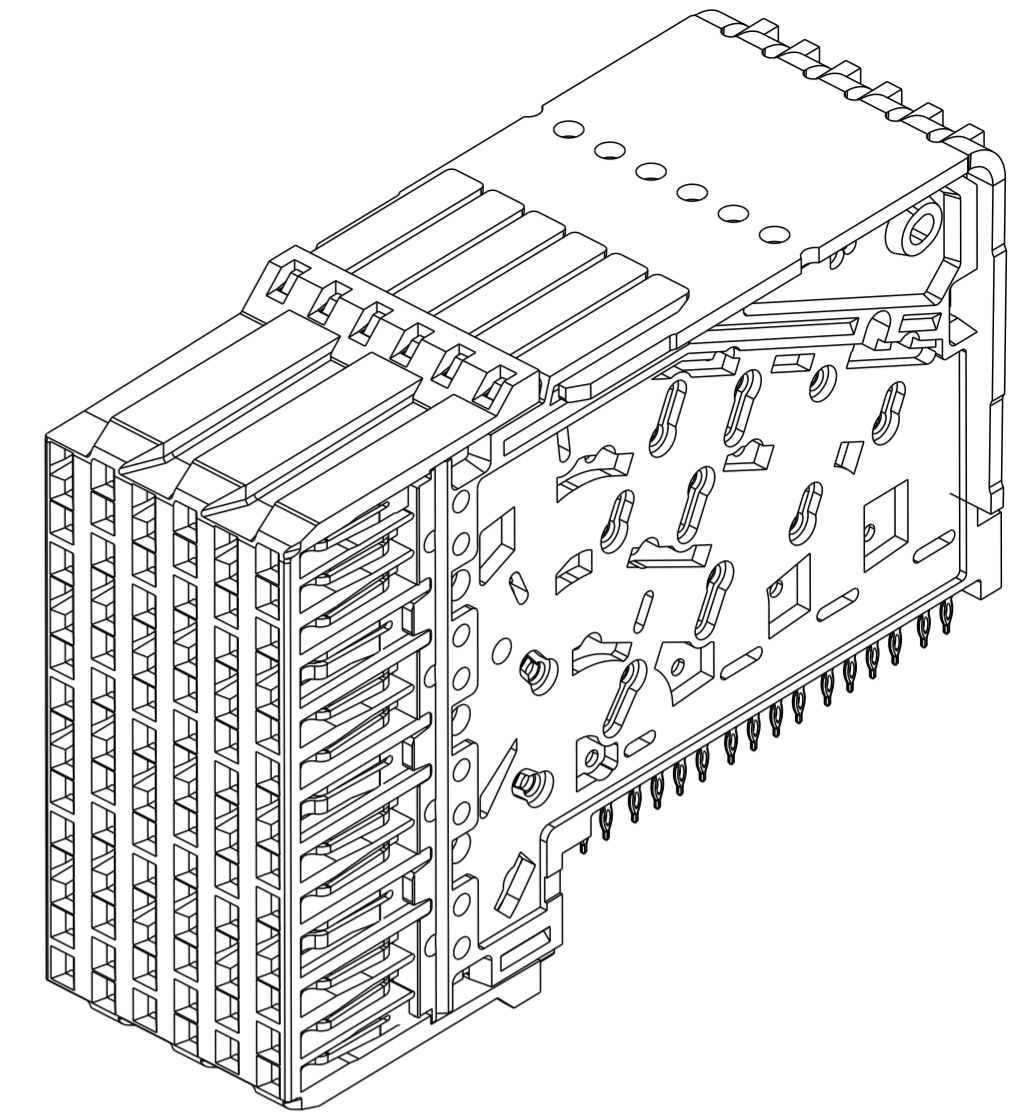
10091799-X01 & -X05
HSD / 100Ω & 85Ω / STD EON
SEE NOTE 14



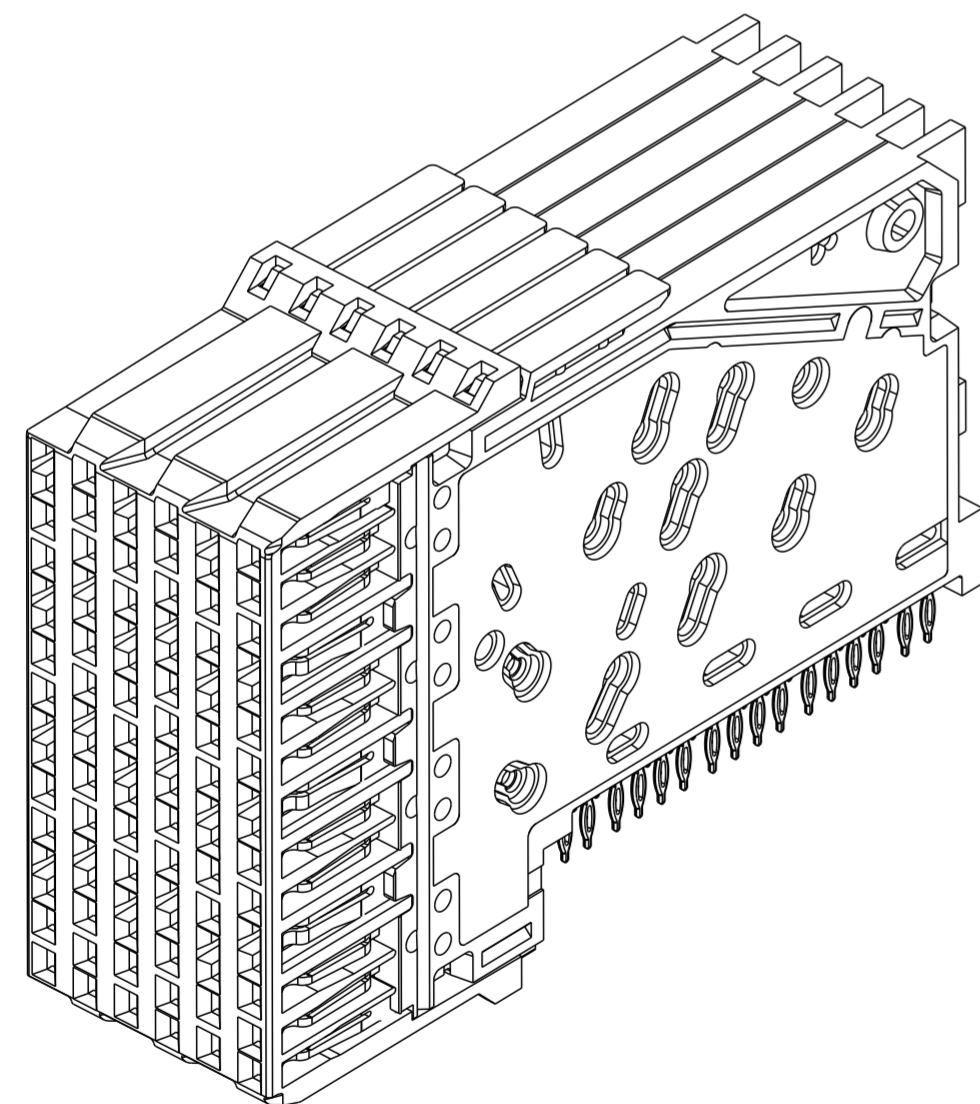
10091799-X02 & X06
HSD / 100Ω & 85Ω / MICRO EON
SEE NOTE 14



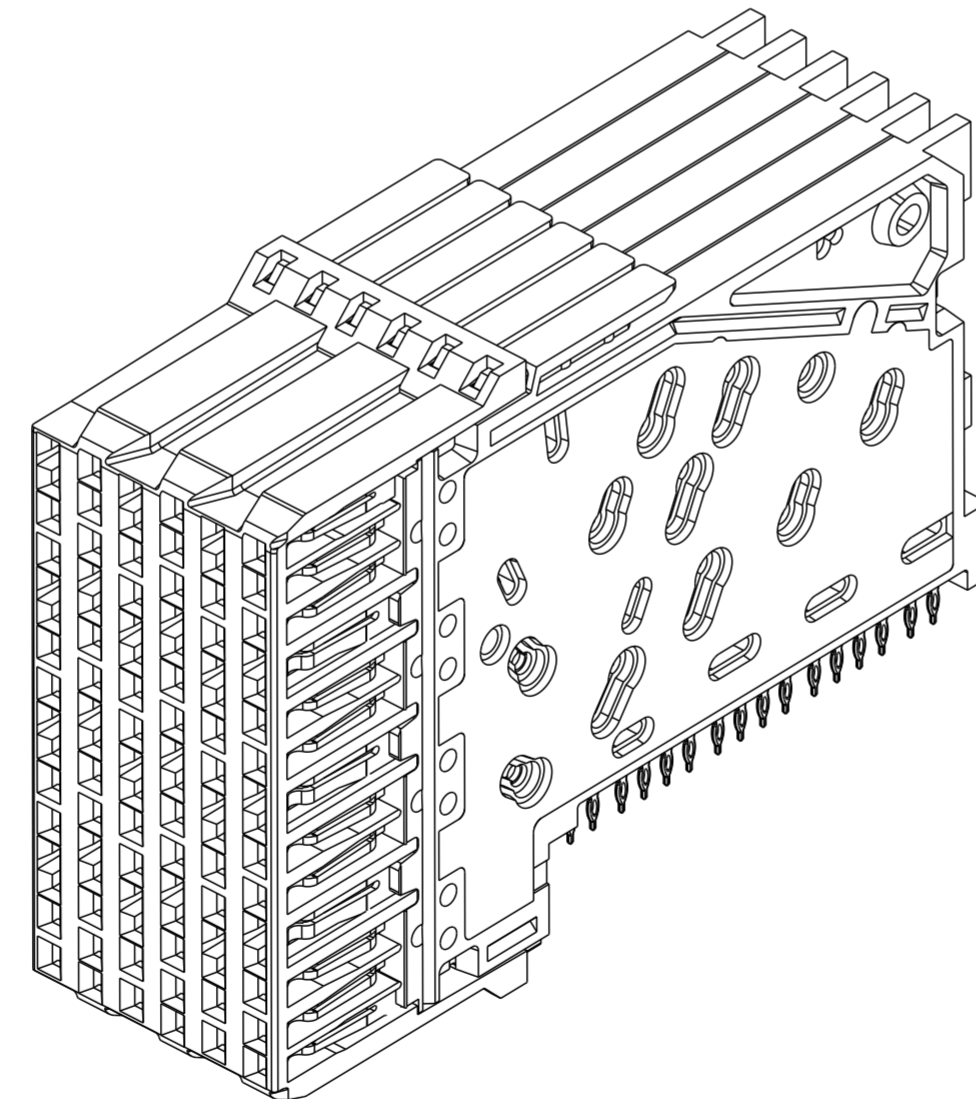
10091799-X03 & X07
LC / 100Ω & 85Ω / STD EON
SEE NOTE 14



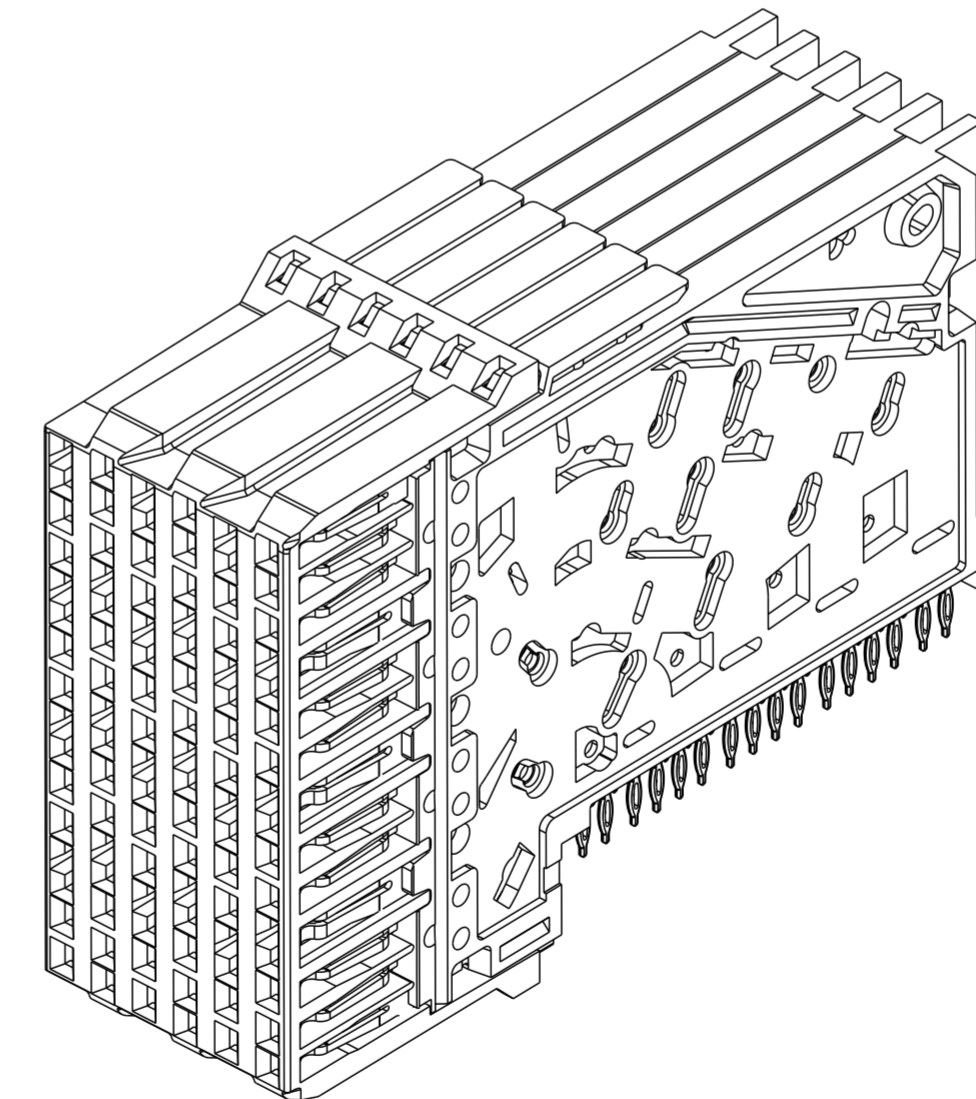
10091799-X04 & X08
LC / 100Ω & 85Ω / MICRO EON
SEE NOTE 14



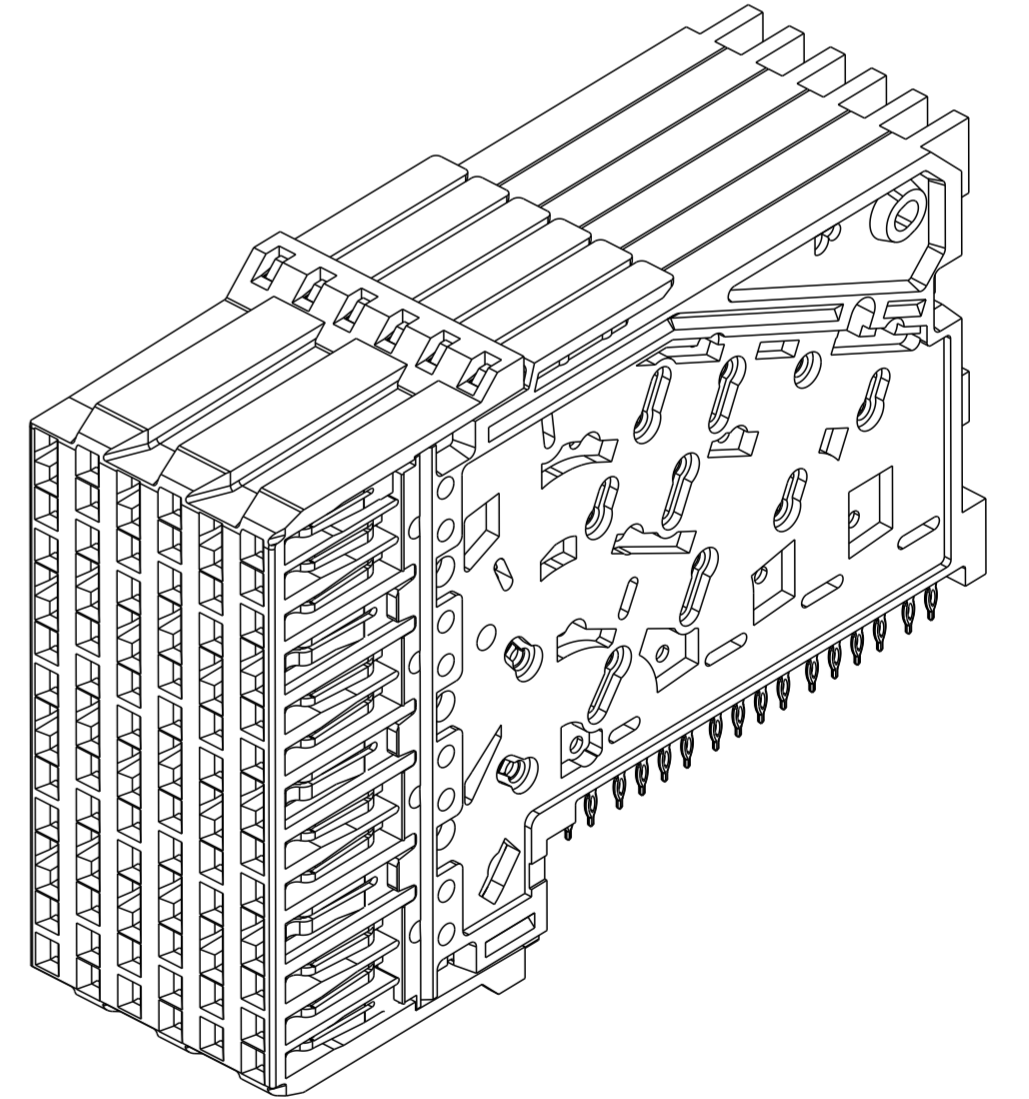
10091799-X11 & -X15
HSD / 100Ω & 85Ω / STD EON
SEE NOTE 15



10091799-X12 & X16
HSD / 100Ω & 85Ω / MICRO EON
SEE NOTE 15



10091799-X13 & X17
LC / 100Ω & 85Ω / STD EON
SEE NOTE 15



10091799-X14 & X18
LC / 100Ω & 85Ω / MICRO EON
SEE NOTE 15



Copyright FCI.

spec ref	SEE NOTES	dr	Jim Swain	2010/01/22	projection	mm	size	A2	scale	3:1	
tolerance std	TOLERANCES UNLESS OTHERWISE SPECIFIED	eng	Matthew Cheong	2014/06/23			ecn no	ELX-S-18041-1	rev	D	
ASME Y14.5		chr	-	appr							Chen-Hong Tan
surface	<input checked="" type="checkbox"/> linear <input type="checkbox"/> angular	0.X	±		title RECEPT MODULE, RIGHT ANGLE 6-COLUMN, 4-PAIR	dwg no 10091799	Product - Customer Draw	sheet 5 of 6	rev D		
		0.XX	±								
		0.XXX	±								
ASME Y14.5	angular	0°	±	www.fci.com	cat. no.	SEE P/N TABLES					

PDS: Rev :D

STATUS:Released

Printed: Jul 05, 2014

NOTES:

1. CONNECTOR MATERIALS:

HOUSING: THERMOPLASTIC, GRAY, UL 94V-0
 WAFERS: THERMOPLASTIC, GRAY, UL 94V-0
 CONTACTS: HIGH-PERFORMANCE COPPER ALLOY
 ORGANIZER: STAINLESS STEEL

2. CONTACT PLATING:

SEPARABLE INTERFACE: PERFORMANCE-BASED PLATING, QUALIFIED TO MEET THE REQUIREMENTS OF FCI PRODUCT SPECIFICATION GS-12-588, INCLUDING THE TELCORDIA GR-1217-CORE (ISSUE 2 DEC 2008) CENTRAL OFFICE TEST SEQUENCE.

PRESS-FIT TAILS: TIN-LEAD ALLOY OVER NICKEL OR TIN OVER NICKEL (LEAD FREE) AS NOTED. SEE "LEAD-FREE" COLUMN IN P/N TABLE.

3. PRODUCT SPECIFICATION: GS-12-588

4. APPLICATION SPECIFICATION: GS-20-121

5. PRODUCT MARKING: APPLIED TO CUSTOM MONOBLOCK ASSEMBLY

6. Xcede® MODULES ARE DESIGNED TO BE STACKED INTO A MONOBLOCK ASSEMBLY, JOINED TOGETHER BY A COMMON STAMPED METAL ORGANIZER. INDIVIDUALLY ASSEMBLED MODULES ARE OFFERED FOR PURPOSES OF SAMPLING AND INITIAL DESIGN-IN EVALUATION AS IDENTIFIED IN THE PART NUMBER TABLE.

7. DRAWING IS INTENDED FOR LAYOUT PURPOSES ONLY.

8. STATED PAD SIZE MAY REQUIRE FILLETING. REFER TO FCI APPLICATION SPECIFICATION FOR ROUTING GUIDELINES.

9. SEE PCB REQUIREMENTS TABLE AND FCI APPLICATION SPECIFICATION GS-20-121 FOR PCB HOLE SPECIFICATIONS AND ROUTING GUIDELINES.

10. LEAD-FREE PRODUCT MEETS THE EUROPEAN UNION DIRECTIVES AND OTHER COUNTRY REGULATIONS AS DESCRIBED IN FCI SPECIFICATION GS-22-008.

11. REQUIREMENTS APPLY TO THE MAJORITY OF PCB FINISHES. SEE APPLICATION SPECIFICATION GS-20-121 FOR ADDITIONAL DETAILS AND EXCEPTIONS FOR LEAD-FREE HASL AND IMMERSION SILVER FINISHES.

12. PACKAGING MEETS FCI SPECIFICATION GS-14-920 FOR LEAD-FREE LABELING.

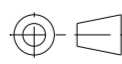

13. THE SPECIFIED KEEP-OUT AREA IS REQUIRED FOR CONNECTOR REPAIRABILITY.

14. INDIVIDUAL MODULE ASSEMBLIES INCLUDING ASSEMBLED METAL ORGANIZER. THESE MODULES ARE TO BE USED FOR SAMPLING AND INITIAL EVALUATION ONLY. REF NOTE 6.

15. INDIVIDUAL MODULES TO BE SPECIFIED AND USED IN CUSTOM MONOBLOCK CONFIGURATIONS. REFERENCE NOTE 6 AND FCI APPLICATION SPECIFICATION FOR ADDITIONAL CONFIGURATION GUIDELINES AND INFORMATION.

16. A  SYMBOL WILL BE NEXT TO ANY DIMENSION, VIEW OR NOTES WHICH HAS BEEN MODIFIED WITH THE CURRENT DRAWING REVISION.

 17. CUSTOMER SPECIAL PARTNO.

spec ref	SEE NOTES	dr	Jim Swain	2010/01/22	projection	mm	size	A2	scale	3:1
tolerance std	TOLERANCES UNLESS OTHERWISE SPECIFIED	eng	Matthew Cheong	2014/06/23		mm	ecn no	ELX-S-18041-1	rel lev	Released
ASME Y14.5		chr	-	-						
surface	linear	0.X	±-		RECEPT MODULE, RIGHT ANGLE	6-COLUMN, 4-PAIR	10091799	rev	D	
ASME Y14.5	0.XX	±-								
	0.XXX	±-								
	angular	0°	±°	www.fci.com	cat. no.	SEE P/N TABLES	Product - Customer Drw	sheet 6 of 6		