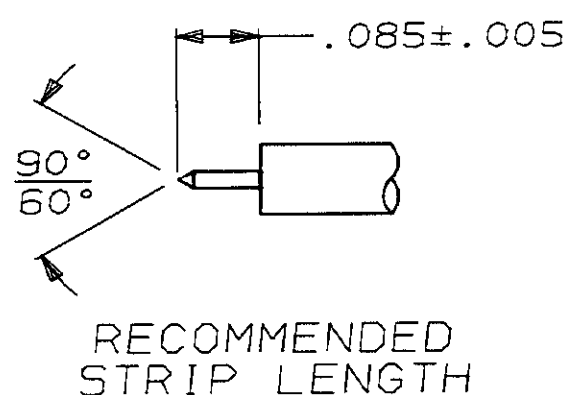
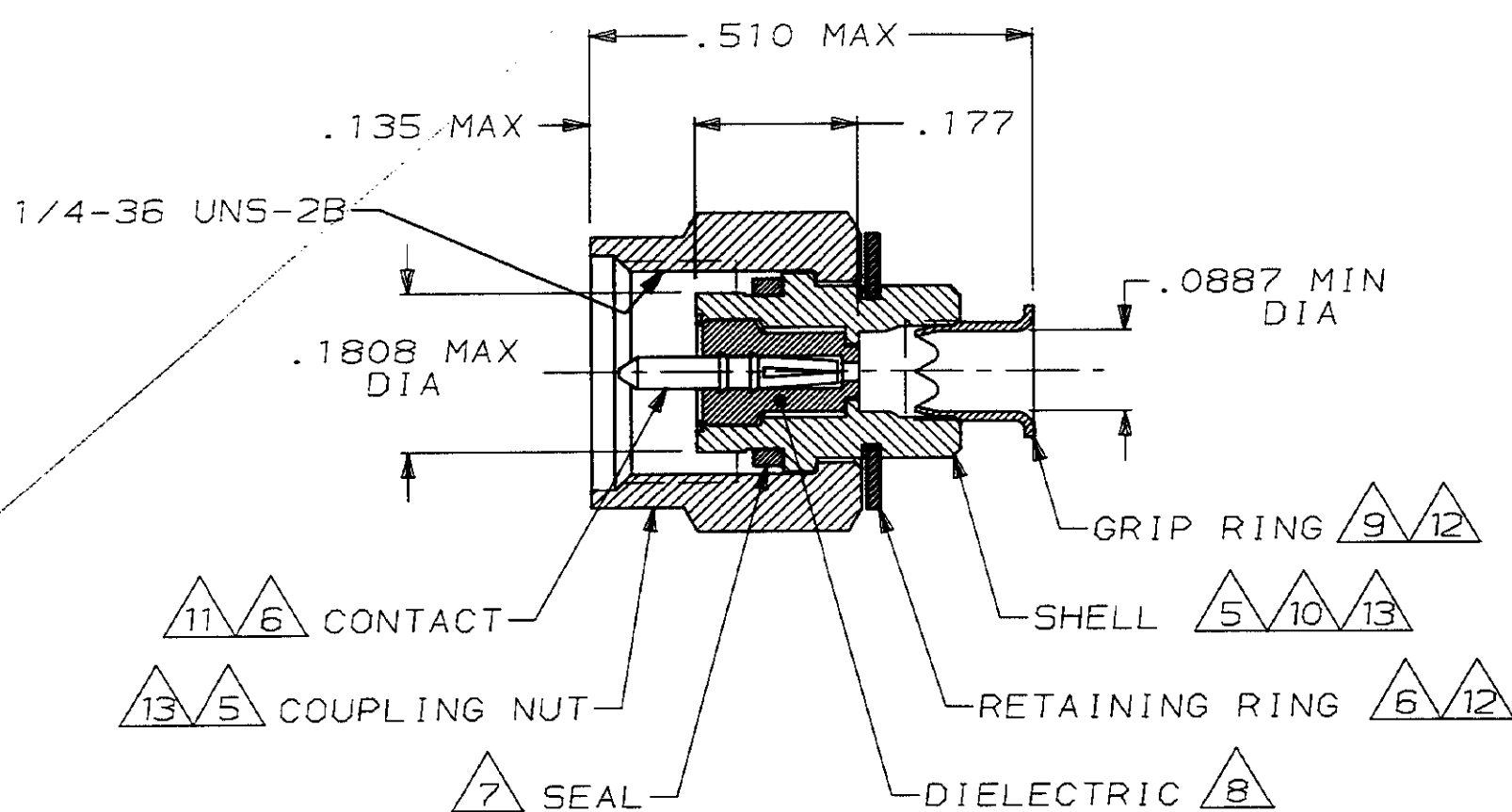
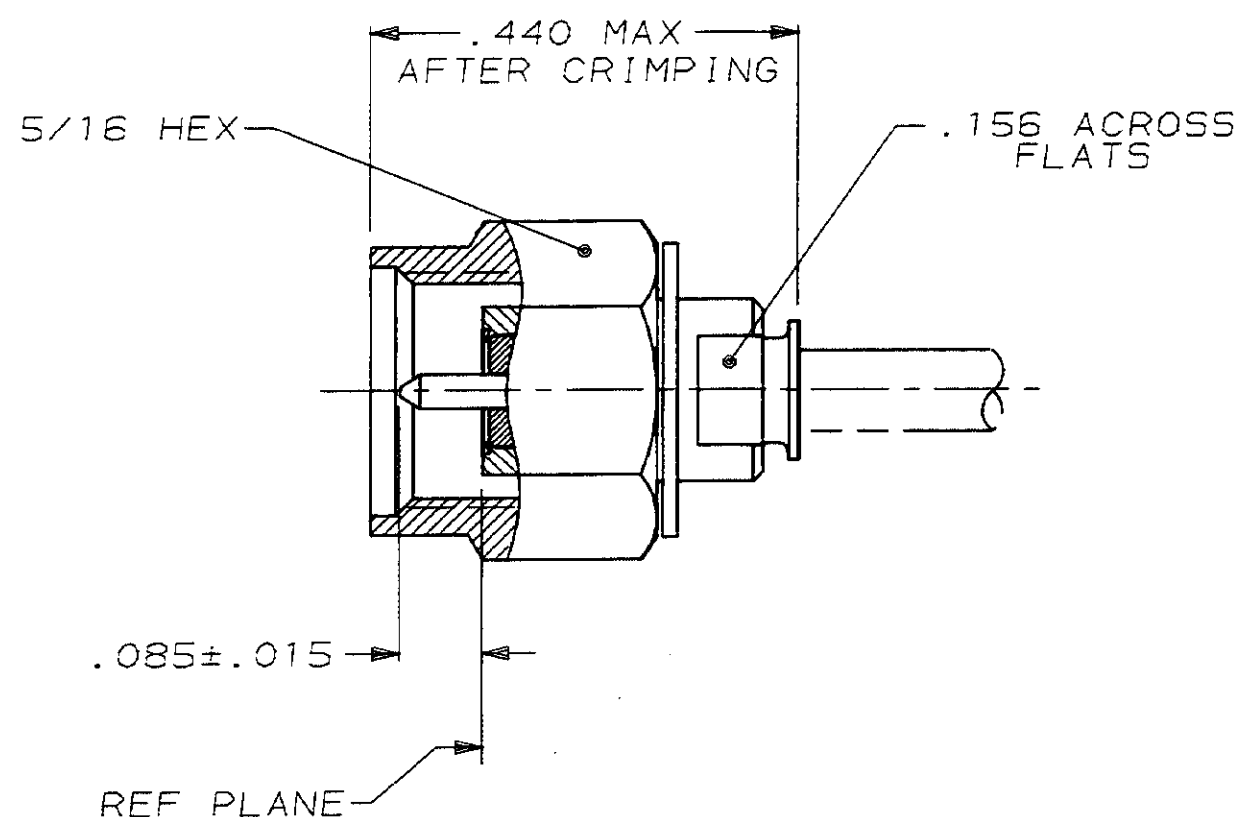


LOC	DIST	P	F	ZONE	LTR	REVISIONS	DATE	APPD
AJ	16					A	5-6-88	RR
						B	2-16-89	CB



- FOR USE WITH: RG-405/U, .086 DIA SEMI-RIGID CABLE
- USE CRIMPING TOOL: 59980-1
USE PNEUMATIC TOOL: 58318-1
- SEE I.S.: 6788 & 9351
- .320 MIN LENGTH OF STRAIGHT CABLE REQUIRED TO APPLY TO CONNECTOR
- STAINLESS STEEL PER ASTM-A-582
- BERYLLIUM COPPER PER QQ-C-530
- SILICONE RUBBER PER ZZ-R-765
- PTFE PER MIL-P-19468
- BRASS PER MIL-C-50
- SEALANT
- GOLD PL PER MIL-G-45204
- NICKEL PL PER QQ-N-290
- PASSIVATED PER QQ-P-35
- FREQUENCY RANGE: 0 TO 26.5 GHZ

221812-1
PART NO

DO NOT SCALE PRINT. UNLESS SPECIFIED DIMENSIONS IN INCHES TOLERANCES ON: 2 PLC DEC ± .005 3 PLC DEC ± .005 ANGLES ±	DR	5-6-88	AMP INCORPORATED Harrisburg, Pa. 17105		
	CHK	5-9-88			
MATERIAL	APPD	5-10-88	NAME PLUG, WEATHERPROOF, SERIES SMA		
	APPD	5-10-88			
FINISH	PRODUCT SPEC	108-12089	SIZE	FSCM NO	DRAWING NO
	APPLICATION SPEC		C	00779	221812-1
	WEIGHT		SCALE	5:1	SHEET 1 OF 1