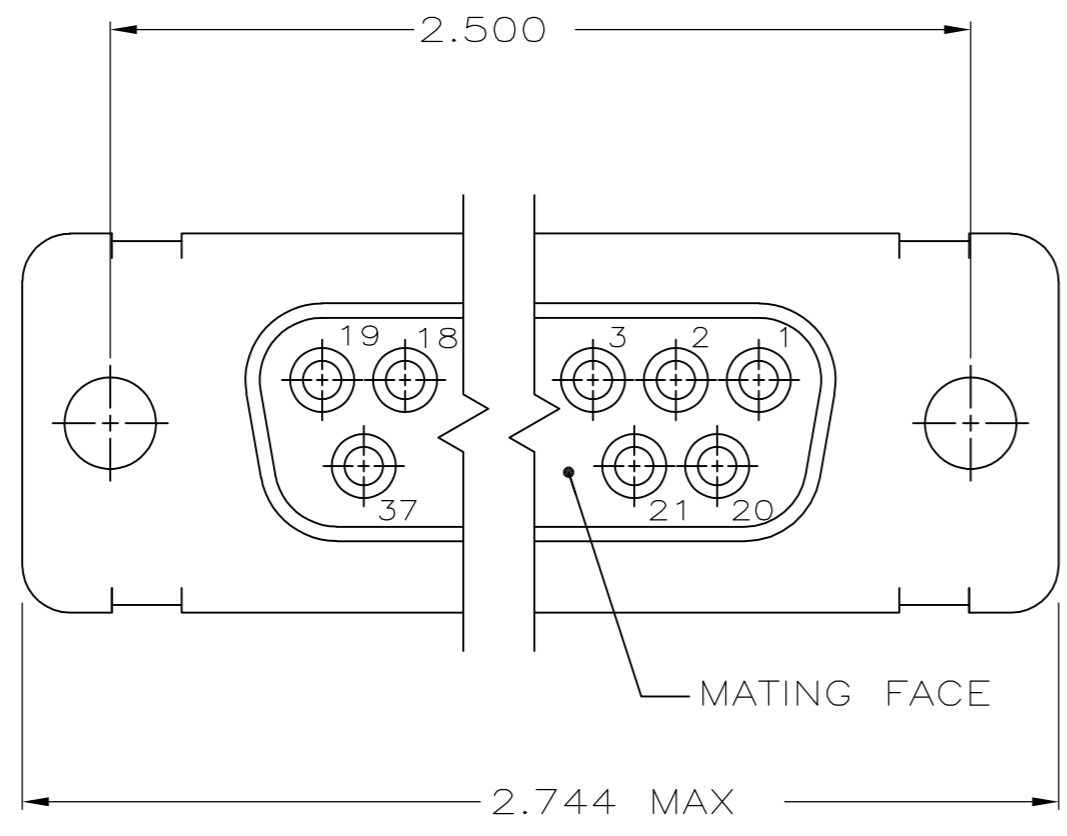


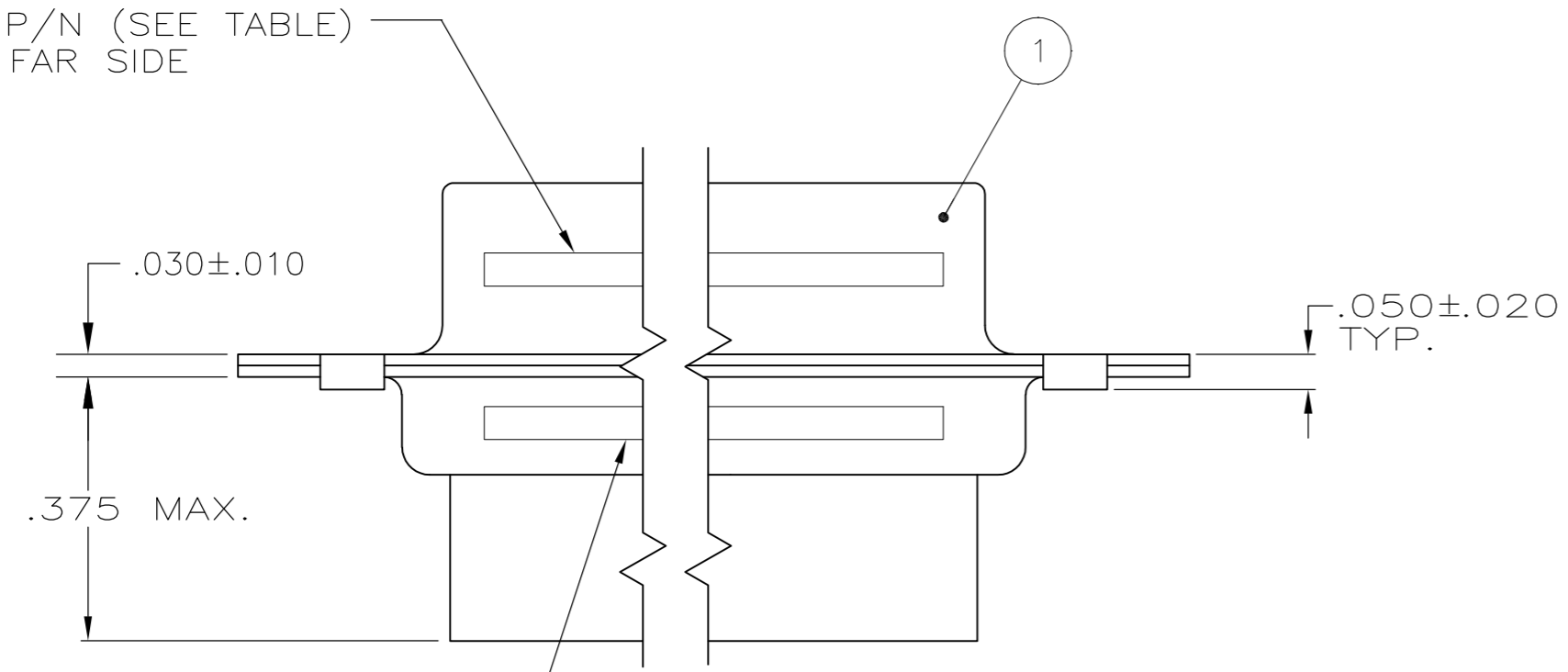
THIS DRAWING IS UNPUBLISHED. RELEASED FOR PUBLICATION
 © COPYRIGHT - By - ALL RIGHTS RESERVED.

LOC		DIST		REVISIONS			
P	LTR	DESCRIPTION	DATE	DWN	APVD		
	H1	REVISED PER ECO-11-005030	11MAR11	RK	HMR		

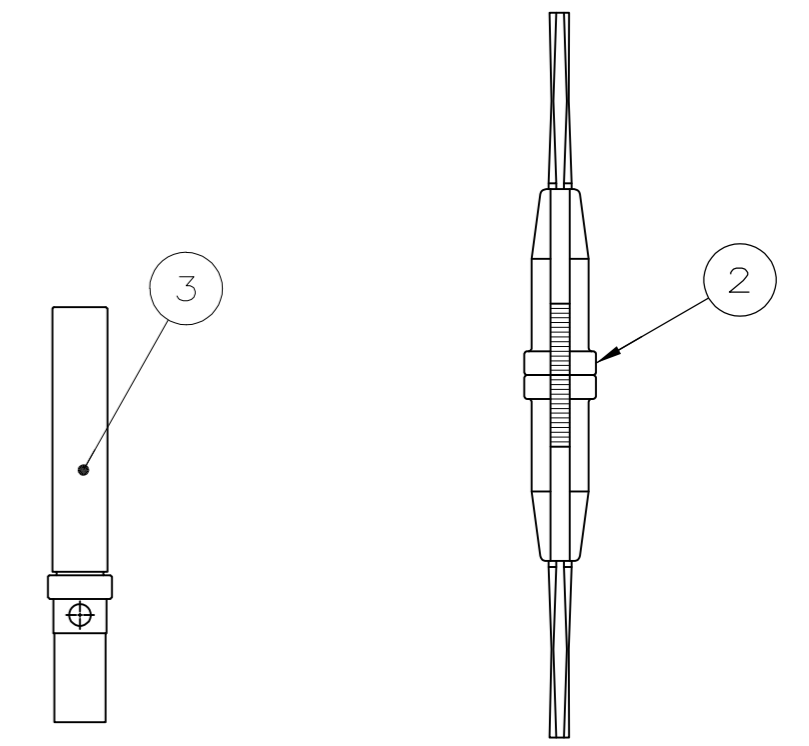
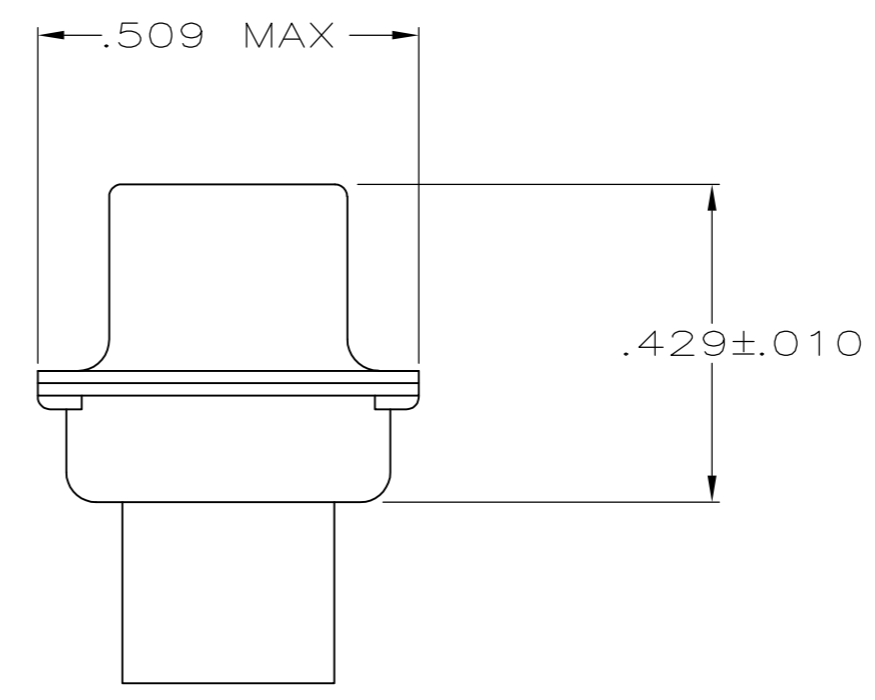


1 FOR CONNECTOR ASSEMBLIES, TE CONNECTIVITY CONTACT PART NOS. 205090-1 MUST BE ORDERED SEPARATELY. CONNECTORS WITH CONTACTS ARE SUPPLIED WITH CONTACT 205090-1

MILITARY P/N (SEE TABLE) MARKED, FAR SIDE



MFG'S NAME, BRAND OR LOGO AND DATE CODE MARKED, FAR SIDE



SUPERSEDED BY 206803-2 & 206793-1 & 91067-2	205561-5	M24308/6-9F	205090-1	91067-2	205167-2	205561-5
SUPERSEDED BY 206803-2 AND 206793-1	205561-4	M24308/6-4F	205090-1	-	205167-2	205561-4
	205561-3	M24308/2-9F	205090-1	91067-2	205167-1	205561-3
	205561-2	M24308/2-4F	205090-1	-	205167-1	205561-2
SUPERSEDED BY 205167-1 AND 91067-2	205561-1	-	-	91067-2	205167-1	205561-1
TE CONNECTIVITY P/N MARKED ON PACKAGE	MILITARY P/N MARKED ON PACKAGE	SOCKET CONTACT QTY. = 37	INSERTION/EXTRACTION TOOL QTY. = 1	RECEPTACLE ASSY QTY. = 1	PART NUMBER	

THIS DRAWING IS A CONTROLLED DOCUMENT.

DWN P. YEAGER 10MAR09		KIT, HDM SERIES		
CHK R. LEASE 12MAR09		RECEPTACLE, SIZE 4, 37 POSN		
APVD R. LEASE 12MAR09		SIZE	CAGE CODE	DRAWING NO
PRODUCT SPEC		A2	00779	C=205561
APPLICATION SPEC	WEIGHT	SCALE	SHEET	
MATERIAL	FINISH	4:1	1 of 1	
			REV H1	

CUSTOMER DRAWING