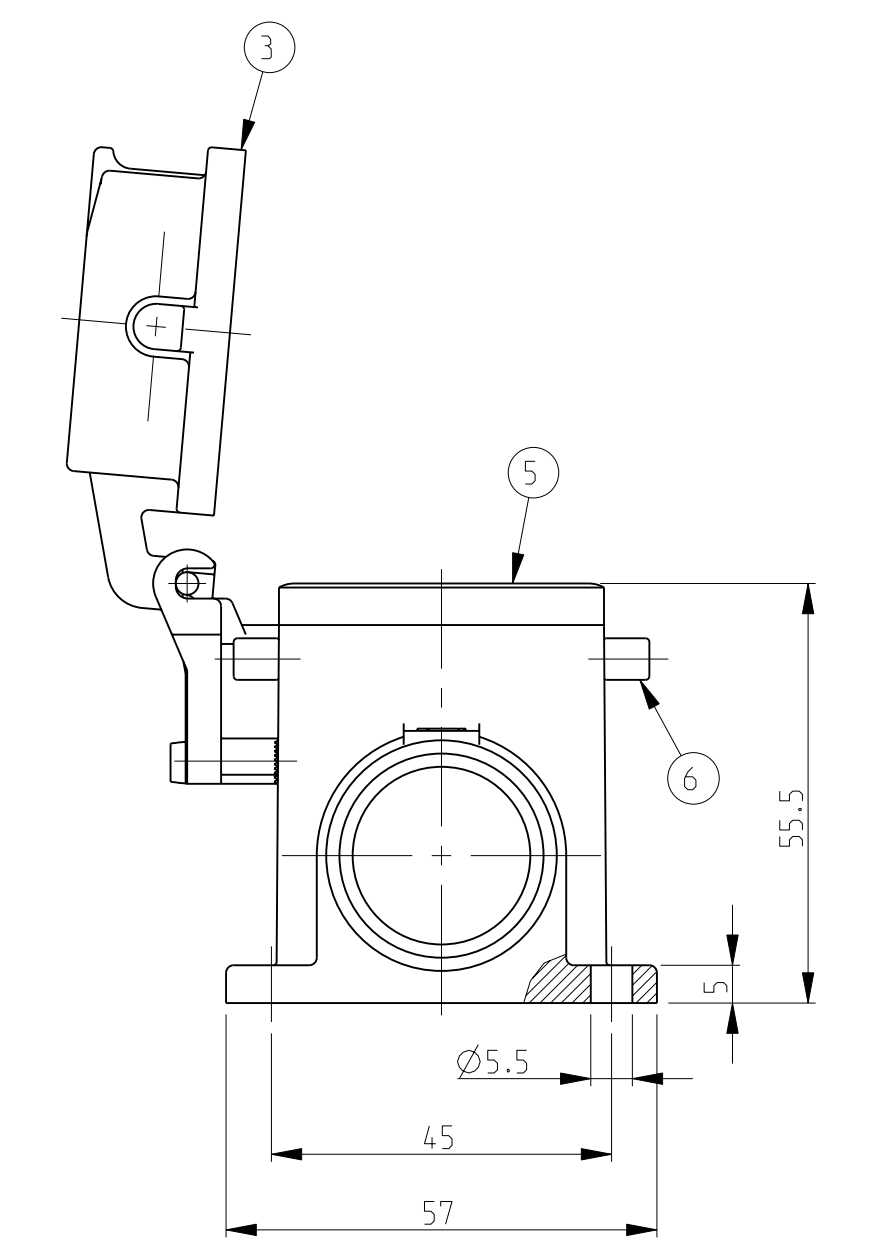
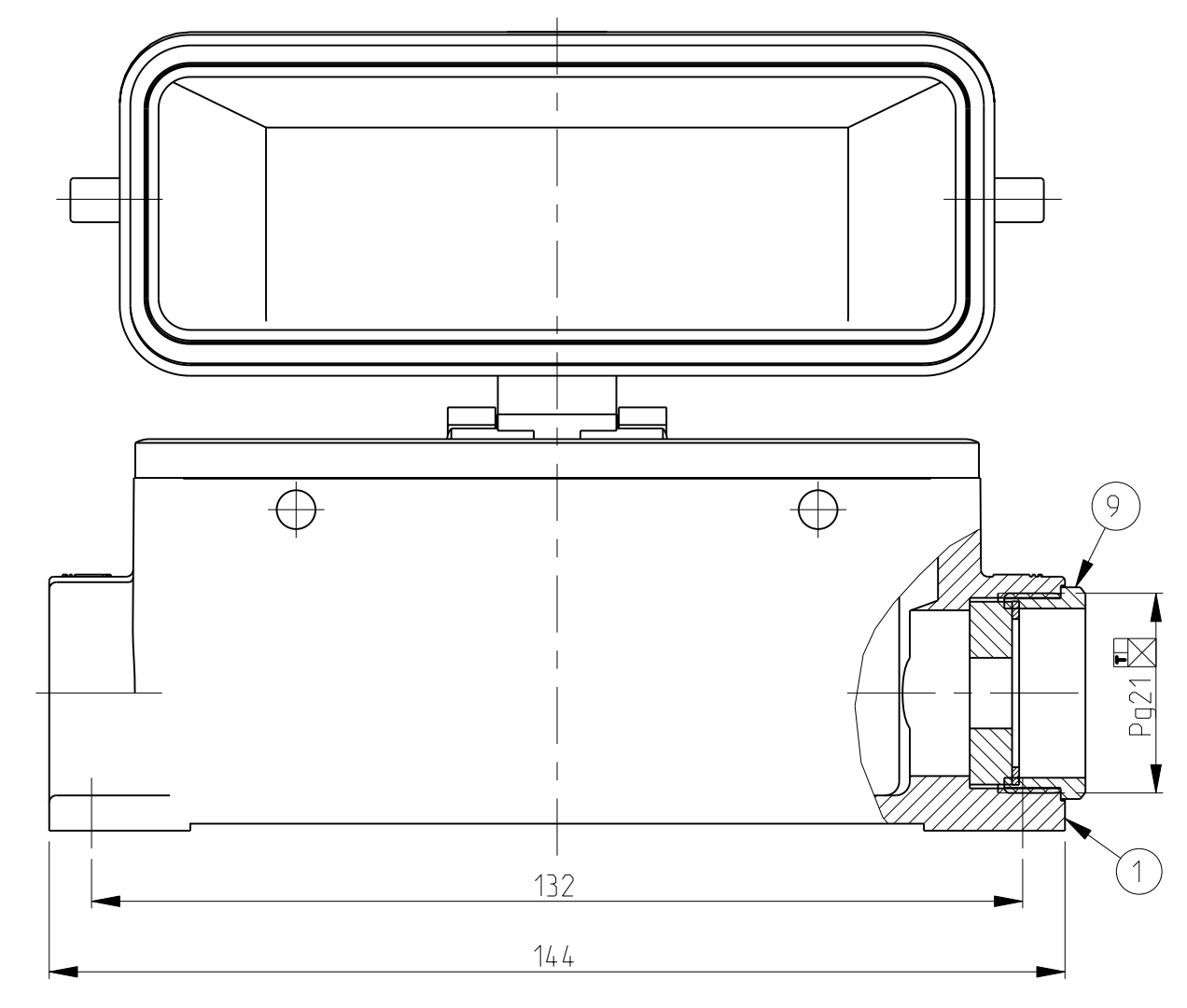
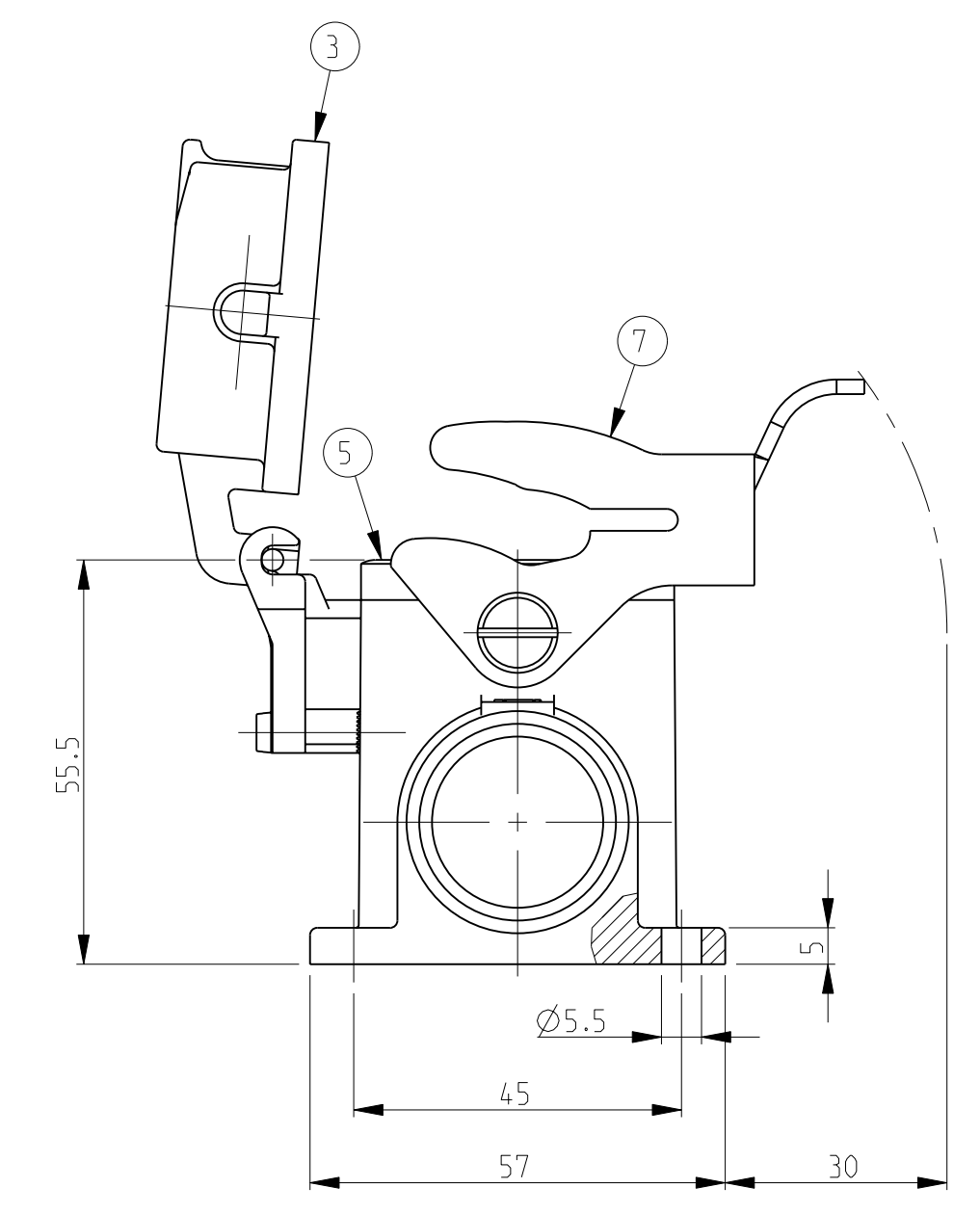
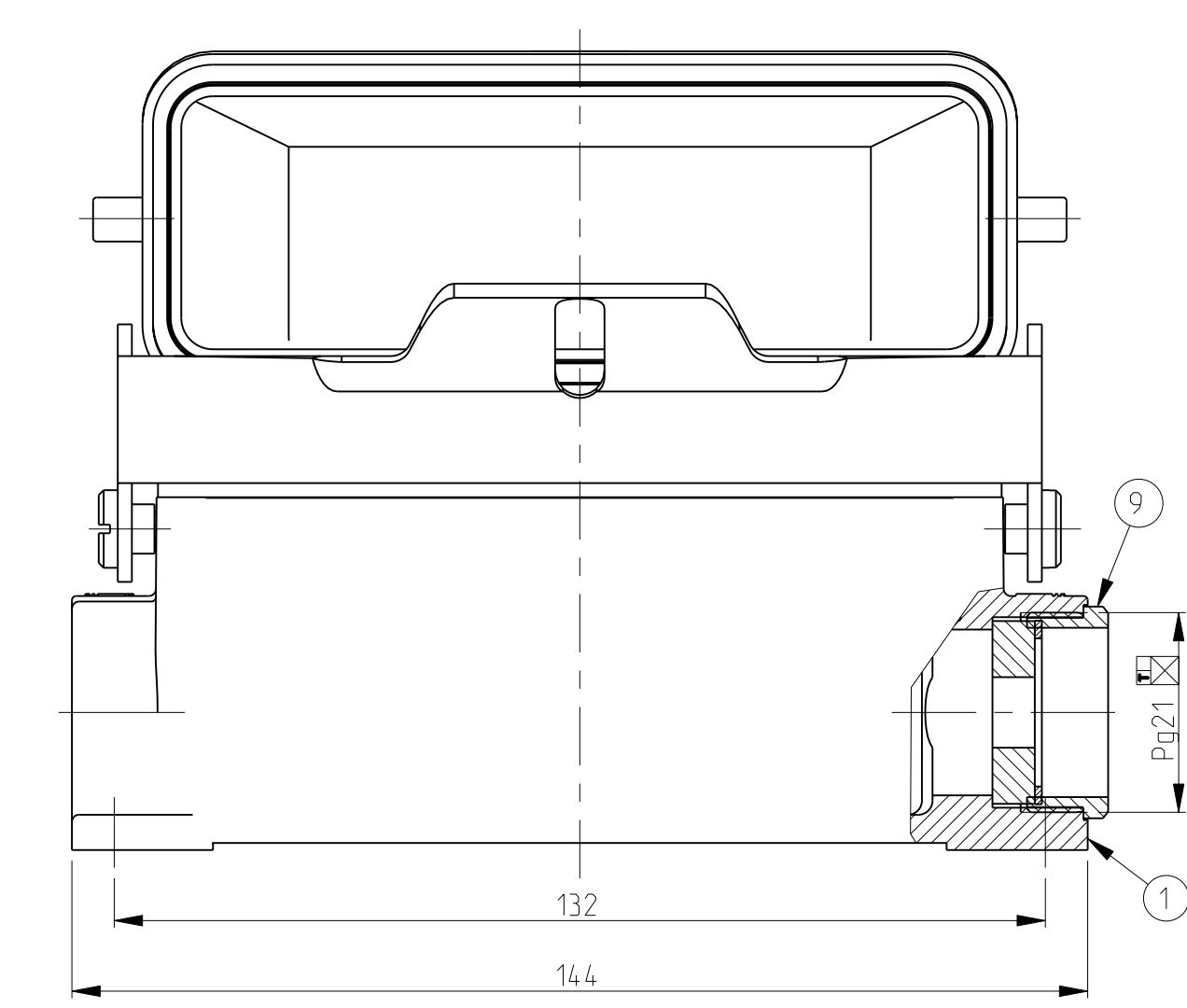


LOC	DIST	REV	DATE	BY	APPD
A1	-	A2	Released as per ECR-08-019772	04.Sep.2008	SP TS

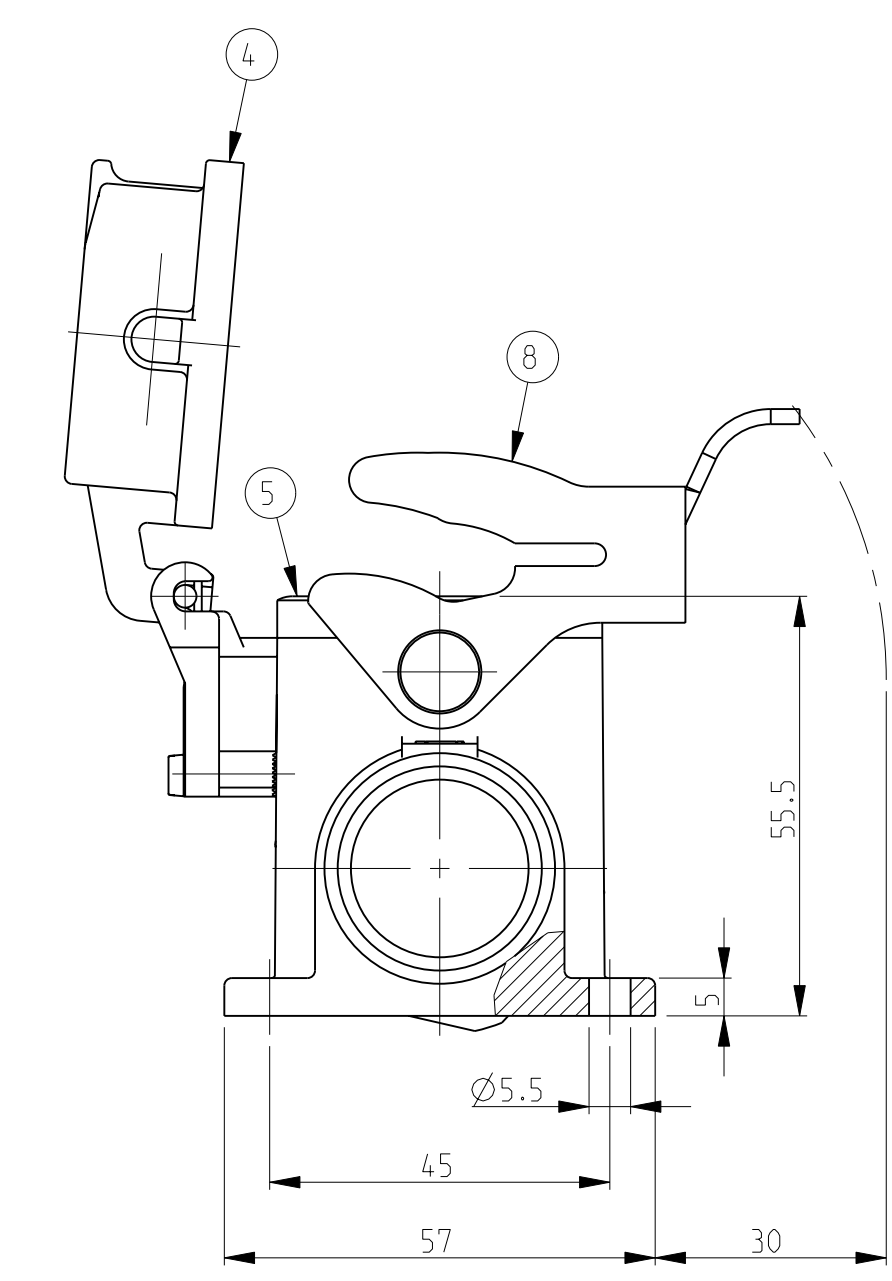
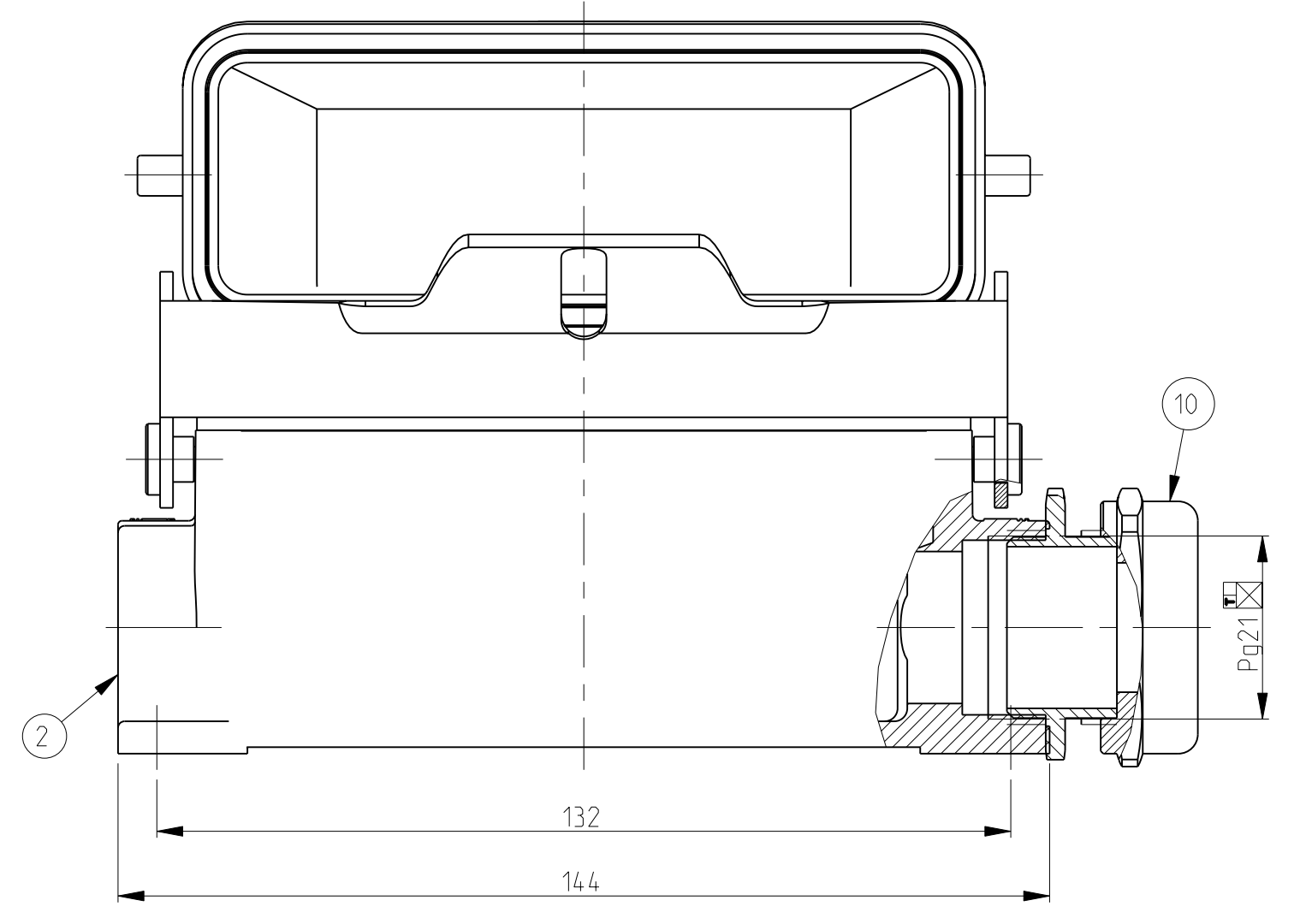
PN 1-6



PN 1-2

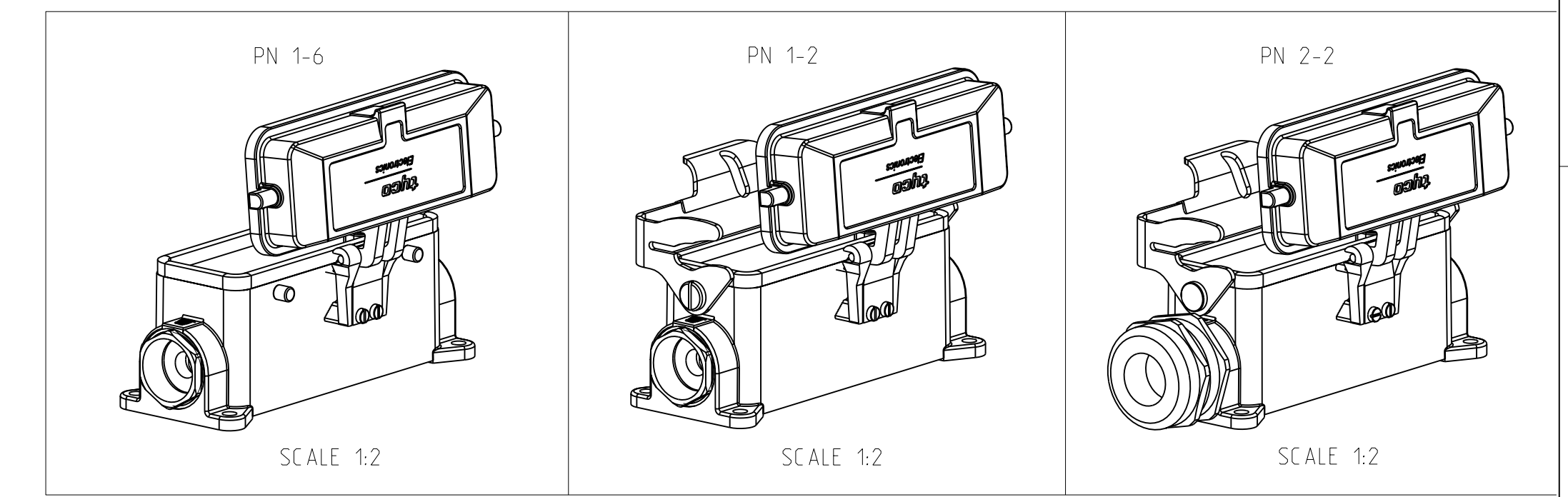


PN 2-2



NOTES.

- 1 Material:Housing:Aluminium Diecasting Alloy  
Seals:Neoprene
- 2 Surface:Varnish grey  
-Aluminium Oxide +Varnish Black
- 3 Varnish on the inside not necessary
- 4 Packaging  
Quantity 5 Pieces in a box



QTY	DESCRIPTION	MATERIAL	SURFACE	COLOR	ITEM NO	REMARKS
1	Gland Fitting Pg21	Brass	Nickel plated	Blue	10	
1	Cable fitting Pg21	Brass	Nickel plated	Blue	9	
1	LB-Side Clip	Stainless steel	Blank		8	
1	LB-Side Clip	Steel	Zinc plated	Blue	7	
4	VS-Clip bolt	Steel	Zinc plated	Blue	6	
1	Profile seal	Neoprene		Black	5	
1	Cover finished product HB-K	Aluminium	Aluminium oxide	Black RAL 9005	4	
1	Cover finished product HB	Aluminium		Grey RAL 7001	3	
1	Surface mounted housing side entry HB-K	Aluminium	Aluminium oxide	Black RAL 9005	2	
1	Surface mounted housing side entry HB	Aluminium		Grey RAL 7001	1	

ORDERING TEXT

HB.24.SGD.1.21  
 HB.24.SGD-LB.1.21  
 HB-K.24.SGD-LB.1.21

DIMENSIONS: mm 		TOLERANCES UNLESS OTHERWISE SPECIFIED: mm 0 PLC ± 1 PLC ± 2 PLC ± 3 PLC ± 4 PLC ± ANGLES ±		DWN: Schneider 13.05.03 CHK: Schweiger 13.05.03 APVD: - NAME: - PRODUCT SPEC: - APPLICATION SPEC: - WEIGHT: - CUSTOMER DRAW ING: -		Tyco Electronics AMP GmbH 0-53757 Sankt Augustain, Germany Tyco Electronics AMP GmbH 0-53757 Sankt Augustain, Germany Surface mounted housing side entry HB.24.SGD.1.21 SIZE: A1 00779 C=1102342 SCALE: 1:1 SHEET: 1 OF 1 REV: A2	
-----------------------	--	---	--	---	--	--	--