

6

5

4

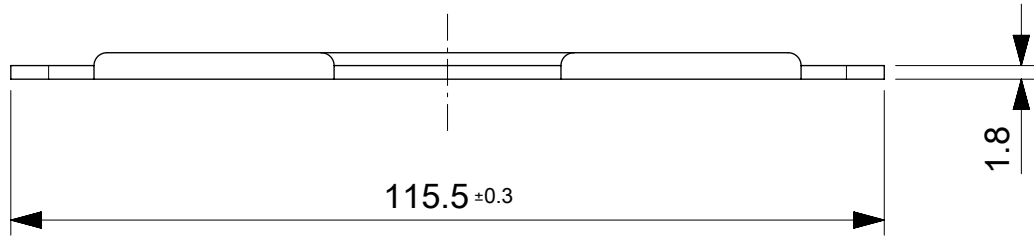
3

2

1

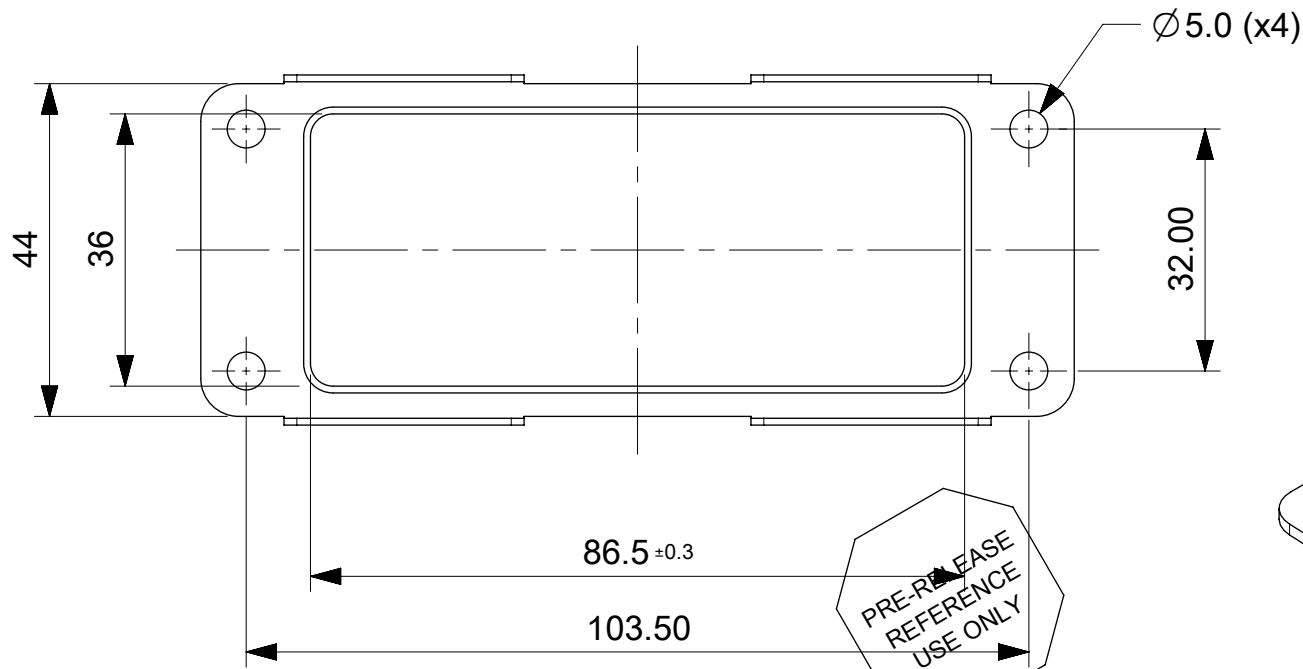
D

D

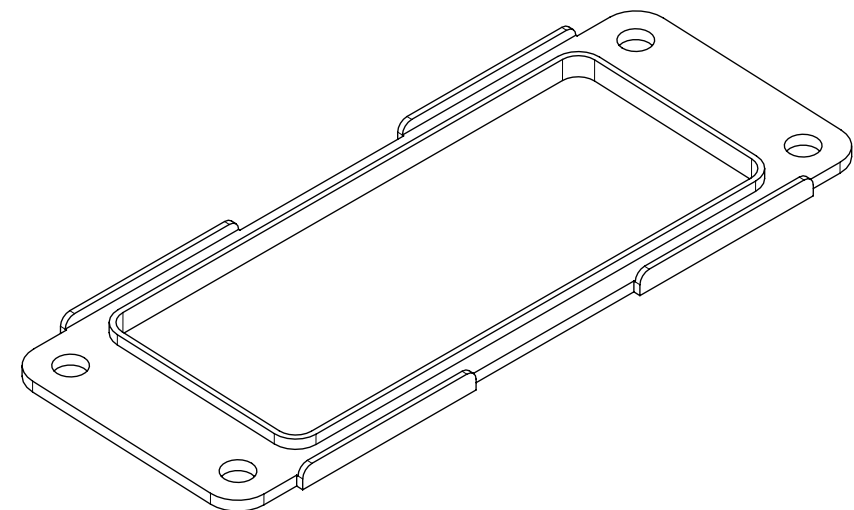


C

C



PRE-RELEASE
REFERENCE
USE ONLY



B

B

A

A

THIS DRAWING CONTAINS INFORMATION THAT IS PROPRIETARY TO MOLEX ELECTRONIC TECHNOLOGIES, LLC AND SHOULD NOT BE USED WITHOUT WRITTEN PERMISSION									
DIMENSION UNITS	SCALE	CURRENT REV DESC:							
mm	1:1								
GENERAL TOLERANCES (UNLESS SPECIFIED)		EC NO:			5871.1854.X				
ANGULAR TOL ± 1.0°		DRWN: AKABADI			16B BOTTOM GASKET FOR BULKHEAD HOUSING				
4 PLACES	±	CHK'D: DMERONI			PRODUCT CUSTOMER DRAWING				
3 PLACES	±	APPR:			DOCUMENT NUMBER				
2 PLACES	± 0.1	INITIAL REVISION:			936070059		DOC TYPE	DOC PART	REVISION
1 PLACE	± 0.2	DRWN: AKABADI			936070059		PSD	000	A
0 PLACES	± 0.3	APPR:			936070059		CUSTOMER	SHEET NUMBER	
DRAFT WHERE APPLICABLE MUST REMAIN WITHIN DIMENSIONS		FIRST ANGLE PROJECTION	DRAWING	SERIES	MATERIAL NUMBER	CUSTOMER	SHEET NUMBER		
			A4-SIZE	93607	936070059	GENERAL MARKET	1 OF 1		

DOCUMENT STATUS	RV	RELEASE DATE	
-----------------	----	--------------	--

6

5

4

3

2

1

FORMAT: master-ib-prod-A4
REVISION: J
DATE: 2020/01/14