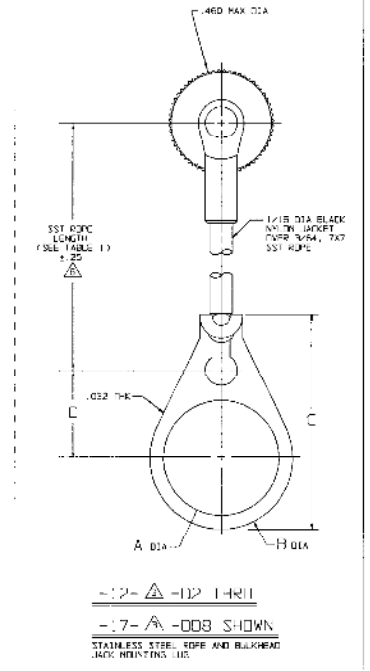
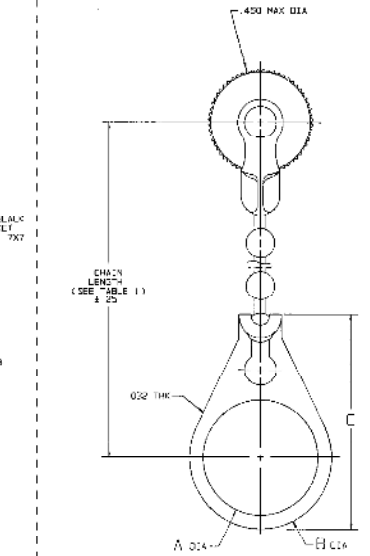
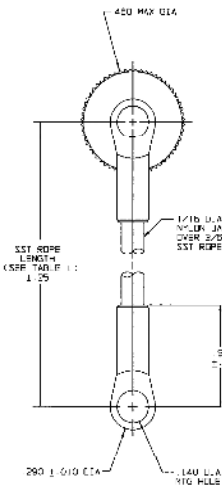
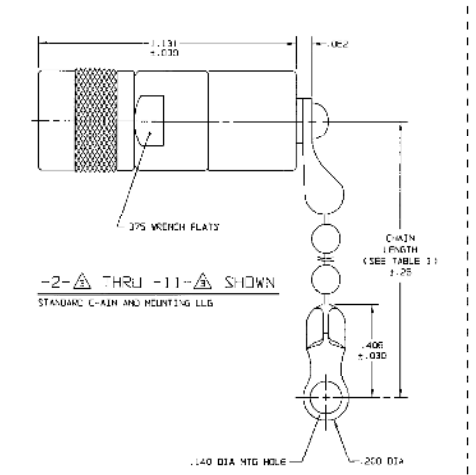
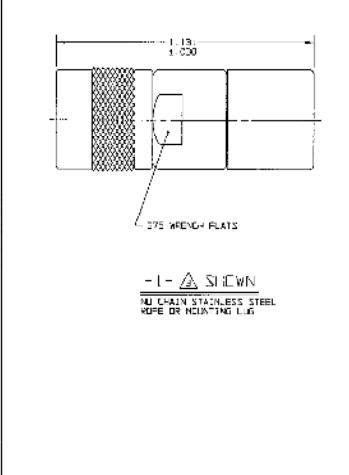


REVISIONS		DATE	BY
KEY	ECO	DESCRIPTION	DATE
1	10/24/82	MODIFY NOTE 1 SHEET 1 & 2	MM
2	11/1/82	SHEET 2 SEE ECO	MM

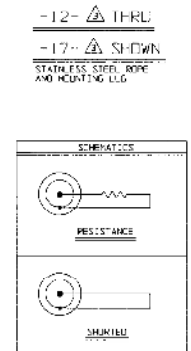
**RED INDICATES ORIGINAL**

TABLE	TABLE 1
1	1.000
2	1.000
3	1.000
4	1.000
5	1.000
6	1.000
7	1.000
8	1.000
9	1.000
10	1.000
11	1.000
12	1.000
13	1.000
14	1.000
15	1.000
16	1.000
17	1.000

INCH	MM	INCH	MM	INCH	MM	INCH	MM	INCH	MM
.005	0.13	.005	0.13	.005	0.13	.005	0.13	.005	0.13
.010	0.25	.010	0.25	.010	0.25	.010	0.25	.010	0.25
.020	0.51	.020	0.51	.020	0.51	.020	0.51	.020	0.51
.030	0.76	.030	0.76	.030	0.76	.030	0.76	.030	0.76
.040	1.02	.040	1.02	.040	1.02	.040	1.02	.040	1.02
.050	1.27	.050	1.27	.050	1.27	.050	1.27	.050	1.27
.060	1.52	.060	1.52	.060	1.52	.060	1.52	.060	1.52
.070	1.78	.070	1.78	.070	1.78	.070	1.78	.070	1.78
.080	2.03	.080	2.03	.080	2.03	.080	2.03	.080	2.03
.090	2.29	.090	2.29	.090	2.29	.090	2.29	.090	2.29
.100	2.54	.100	2.54	.100	2.54	.100	2.54	.100	2.54
.125	3.18	.125	3.18	.125	3.18	.125	3.18	.125	3.18
.150	3.81	.150	3.81	.150	3.81	.150	3.81	.150	3.81
.175	4.43	.175	4.43	.175	4.43	.175	4.43	.175	4.43
.200	5.08	.200	5.08	.200	5.08	.200	5.08	.200	5.08
.250	6.35	.250	6.35	.250	6.35	.250	6.35	.250	6.35
.300	7.62	.300	7.62	.300	7.62	.300	7.62	.300	7.62
.375	9.53	.375	9.53	.375	9.53	.375	9.53	.375	9.53
.450	11.43	.450	11.43	.450	11.43	.450	11.43	.450	11.43
.500	12.70	.500	12.70	.500	12.70	.500	12.70	.500	12.70
.600	15.24	.600	15.24	.600	15.24	.600	15.24	.600	15.24
.750	19.05	.750	19.05	.750	19.05	.750	19.05	.750	19.05
.900	22.86	.900	22.86	.900	22.86	.900	22.86	.900	22.86
1.000	25.40	1.000	25.40	1.000	25.40	1.000	25.40	1.000	25.40



- NOTE THAT LENGTH FOR SST ROPE WITH HOISTING LIG OPTION IS NOT MEASURED TO CENTER OF BULKHEAD MOUNTING LIG.
- EXAMPLE OF COMPLETE MODEL NO:
  - INCH -1- -12-
  - BASIC MODEL NO -
  - LENGTH MAT. AMT. -
  - LENGTH (SEE TABLE 1)
  - FLYHEAD JACK MOUNTING LIG (OPTIONAL) -
  - WITH BRASS NYLON JACKET AND SST ROPE (SEE TABLE 2)
- PIN CONTACT HAS SERIES COILBENTRIC TAPKEY TYPON 2 LIG SUBMINUTING TERMINATED CABLE PLUG
- RESISTANCE VALUE IN OHMS (1.0K, 10K, 100K, 1M) COMPLETE SHORTED TO OTHER BULKHEAD AND ASSOCIATED LIG. LOOSELY ASSEMBLED (NO RESISTOR)
- FINISH: TFS-1A (NICKEL)
- ALL DIM ARE IN INCHES



QTY	DESCRIPTION	PART NUMBER	UNIT
1	TROMPETER ELECTRONICS, INC.	THNH	
1	MATERIAL	14949 3-0029	M
1	SCALE 4:1		