

RFPC-TNC01-FN: TNC Right Angle Bulkhead Jack With O-ring, PCB Connector, Rated to IP67/68

Material and Plating:

- Insulator A: Teflon
- Insulator B: Teflon
- Insulator C: Teflon
- Body: Brass, Nickel Plated
- Pin: Brass, Gold Plated
- Center Pin: Phosphor Bronze, Gold Plated
- Gasket: Silicone, Color: Red
- O-Ring: Silicone, Color: Red
- Cap: Brass, Nickel Plated

Washer: Brass, Nickel Plated

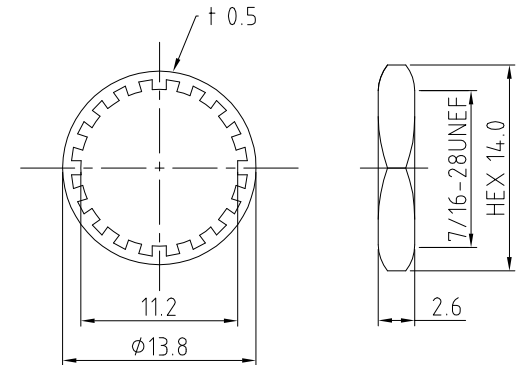
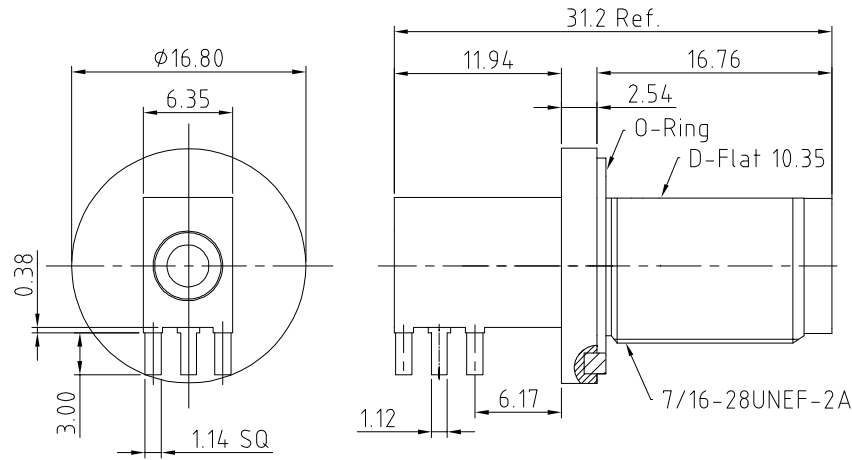
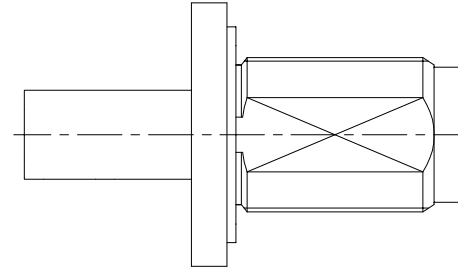
Nut: Brass, Nickel Plated

Environmental:

- A. Rated to:
 - i. IP6x - Dust tight - no particle ingress.
 - ii. IPx7 Waterproof for 30 minutes up to 1 meter underwater.
 - iii. IPx8 Waterproof for 48 hours at 1 meter underwater.

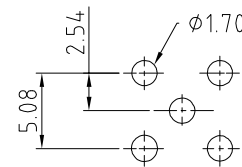
Notes:

- 1. Working Frequency Range: DC-4GHz.
- 2. Impedance: 50ohm.
- 3. Operating Temperature: -55°C~+155°C.

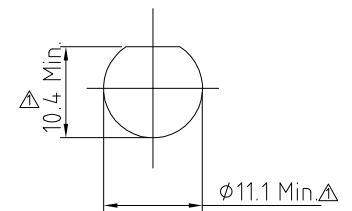


HOW TO ORDER
RFPC - TNC01 - FN - X

WASHER AND NUT OPTIONS:
BLANK = SEPARATELY PACKED (STANDARD)
A = ALL ASSEMBLED WITH CONNECTOR



Recommended PCB Hole Layout



Recommended Mounting Hole

REV. DATE & DRN	10.25/03/22 - NYW RELEASE
11.17/04/22 - NYW	AMEND WASHER & NUT PLATING
12.02/05/22 - NYW	AMEND MOUNTING HOLE SIZE
13.08/06/23 - NYW	AMEND CAP PLATING
	ADD GASKET TO MATERIAL

Scale: NTS	THIRD ANGLE	Unstated Tolerances:
Drawn: NYW		X ±0.20
App'd: XXX	Title TNC PCB Connector	XX ±0.20
Date: 8 JUN '23	Revision: 1.3	XXX ±0.20
	Unit: mm	ANGLES ±3°



IP67/68 Rated Cables



www.gradconn.com

THIS DRAWING IS CONFIDENTIAL AND MUST NOT BE COPIED OR DISCLOSED WITHOUT WRITTEN CONSENT

Type: RFPC-TNC01-FN
RFPC-TNC01-FN
Drawing Number:
Sheet 1 of 1
Drawing © E and O E