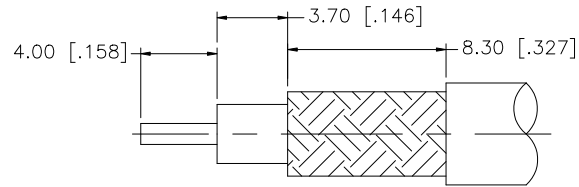
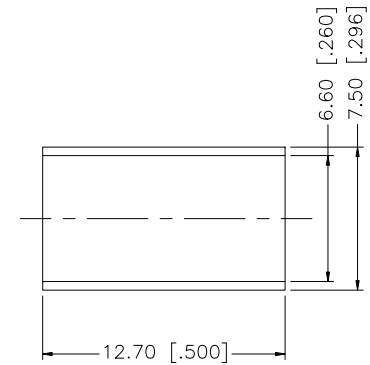
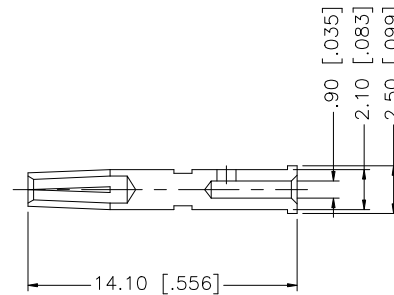
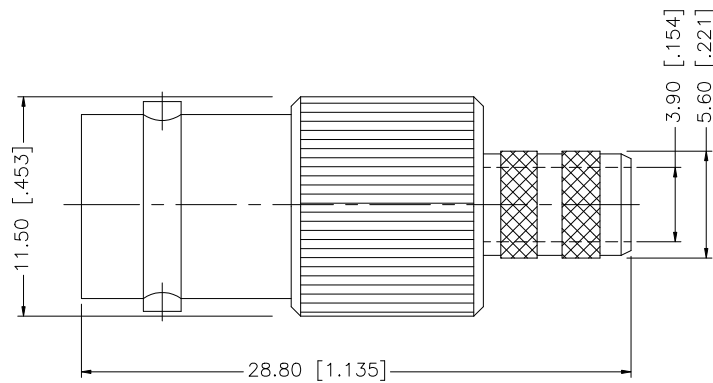


REV.	DATE	ECR NO.	DESCRIPTION
NC	07/31/05	-	INITIAL RELEASE
A	03/05/09	-	ADD "75Ohms" TO PART DESCRIPTION



RECOMMENDED  
CABLE STRIPPING DIM'S



NOTES:

1. CRIMPED FERRULE HEX CRIMP SIZE .255" [6.48]
2. CRIMPED CONTACT PIN HEX CRIMP SIZE .068" [1.73]

DESCRIPTION	MATERIAL	FINISH	QTY	DO NOT SCALE DRAWING	APPROVALS	DATE	Amphenol Connex							
8					DRAWN	GRS	03/05/09	<p>PART DESCRIPTION</p> <p style="text-align: center;">BNC CRIMP JACK, 75 Ohms</p> <p>PART NO. 112649</p>						
7					CHECKED									
6					ISSUED									
5					SHEET	1 OF 1								
4	FERRULE	COPPER	NICKEL	1	CAD FILE	C:/112/112649.DWG								
3	CONTACT PIN	PHOS. BRONZE	GOLD	1			DWG. NO.	112649.DWG	REV.	A	SIZE	A	SCALE	NA
2	INSULATOR	PTFE	NATURAL	1										
1	HOUSING/BODY	BRASS	NICKEL	1										

UNLESS OTHERWISE SPECIFIED DIMENSIONS ARE IN MILLIMETERS. DIMENSIONS IN [ ] ARE IN INCHES AND FOR CUSTOMER REFERENCE ONLY.

UNLESS OTHERWISE SPECIFIED TOLERANCES FOR MILLIMETERS ARE:  
0.5 - 8mm ± 0.20mm  
8 - 30mm ± 0.40mm  
30 - 120mm ± 0.50mm

UNLESS OTHERWISE SPECIFIED TOLERANCES FOR INCHES ARE:  
.020 - .315 = ± 0.007"  
.315 - 1.180 = ± 0.015"  
1.180 - 4.724 = ± 0.020"